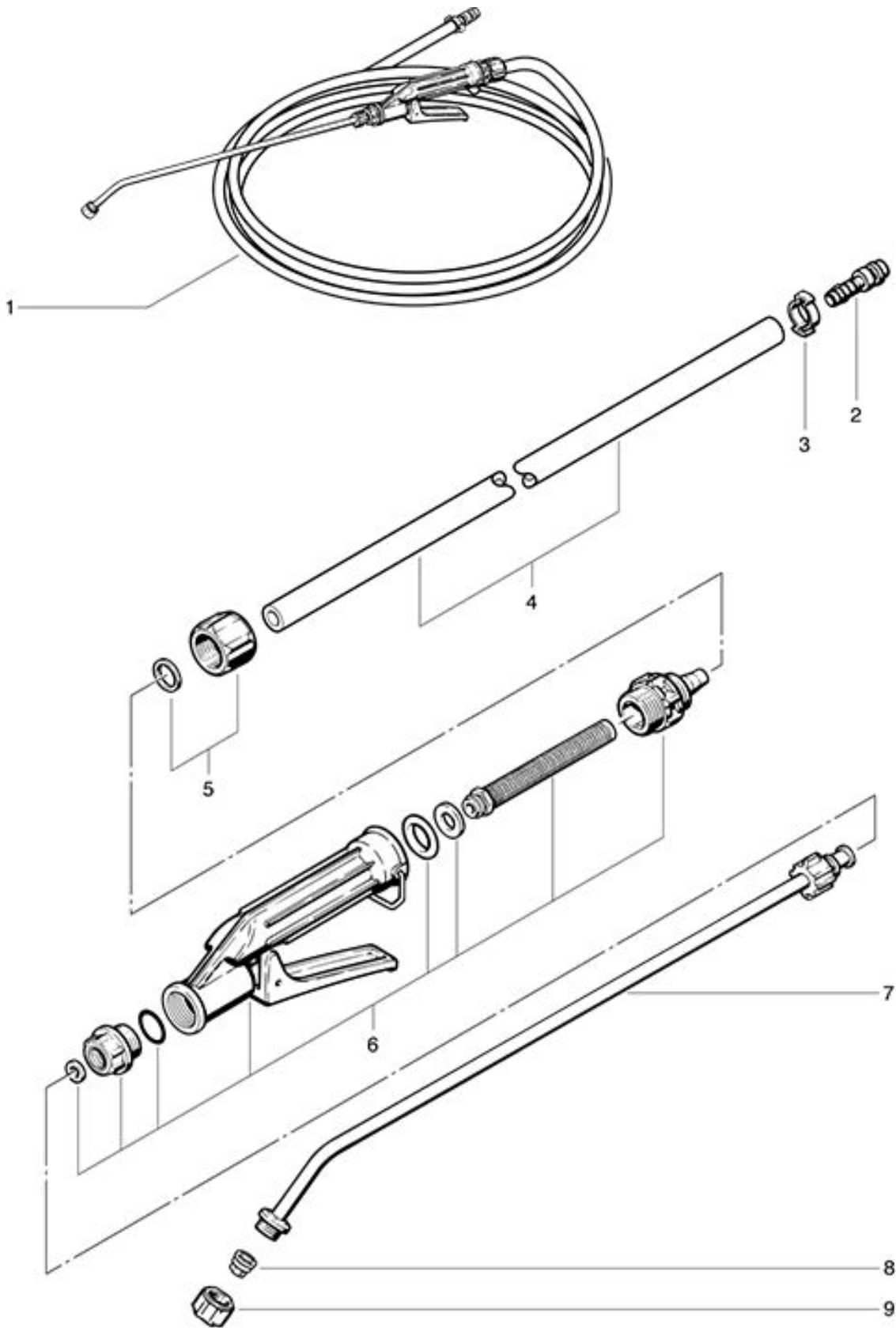


TW 1250
Spray nozzle with hose

As at: 03/16/17 Time:14:27



TW 1250

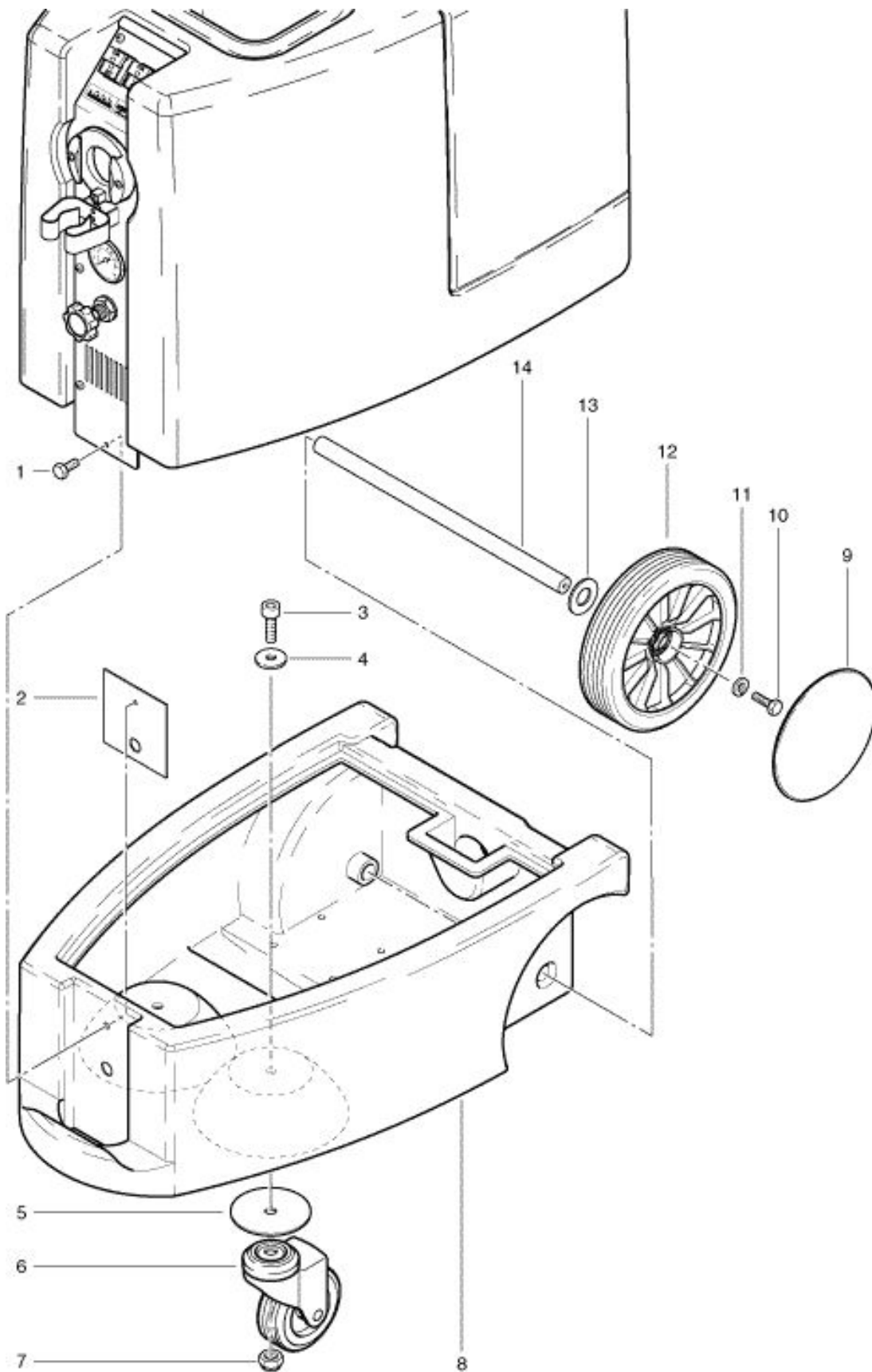
Spray nozzle with hose

As at: 03/16/17 Time:14:27

Pos.	Description	Reference
01	Spray nozzle with hose	660.000
02	Quick connector male, big	P...501 C
03	Hose clamp 17 mm	P...550 C
04	Hose HD 10 m	110.560 C
05	Cup nut compl.	660.130
06	Spraying valve	660.110
07	Spray nozzle 60 cm curved	660.120
08	Jet for spray lance	P...640 B
09	Cup nut 3/8"	P...602 D

TW 1250
Chassis and Wheel

As at: 03/16/17 Time:14:16



TW 1250

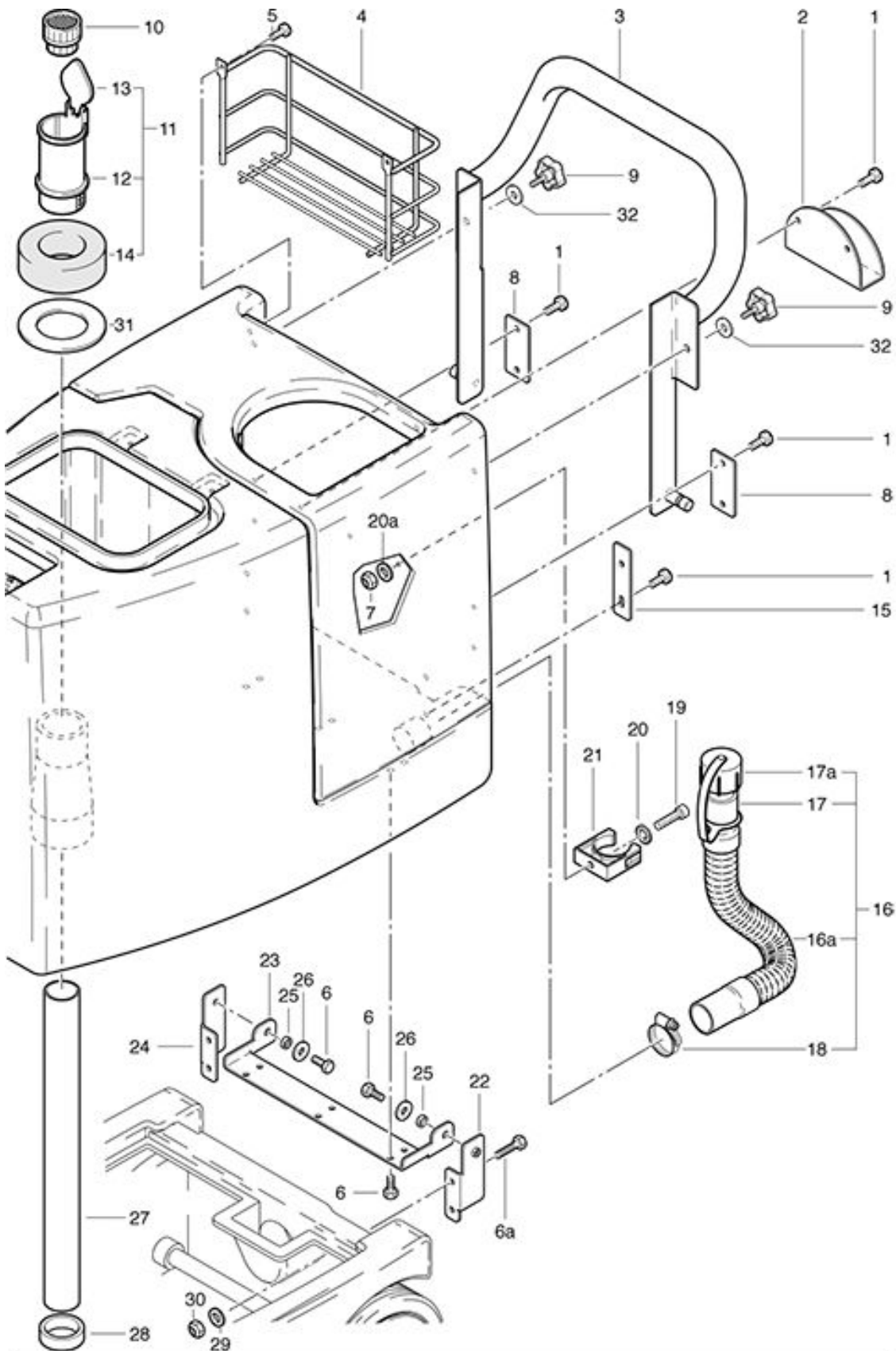
Chassis and Wheel

As at: 03/16/17 Time:14:16

Pos.	Description	Reference
01	Hexagon screw M 6x20	P...472 T
02	Closing plate	124.111
03	Hexagon socket screw M 10x45	P...487 N
04	Washer M 10.5x30x2.5	P...496 S
05	Reinforcing washer	124.103
06	Castor Ø 100 mm	530.225
07	Stopp-nut M 10	P...492 Q
08	Chassis	124.101
09	Wheel cover	530.242
10	Hexagon screw M 6x12	P...470 R
11	Washer M 6x25	P...497 Y
12	Wheel Ø 200x54 compl.	411.240
13	Distance washer	P...499 WW
14	Wheel axle	124.102

TW 1250
Handle

As at: 03/16/17 Time:14:17

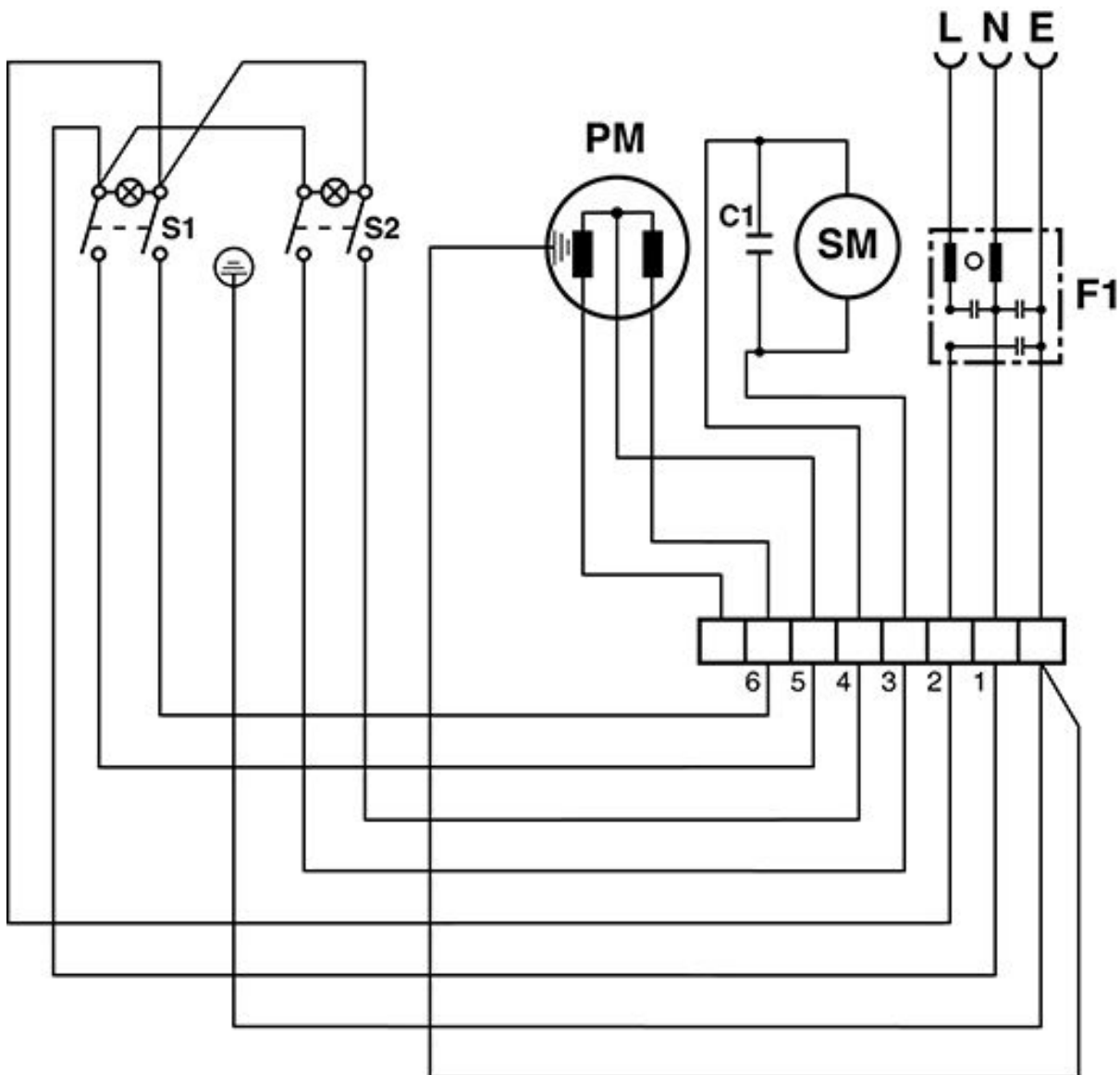


TW 1250

Handle

As at: 03/16/17 Time:14:17

Pos.	Description	Reference
01	screw DIN 7985 M6 x 12	P...476P
02	Cable support	124.205
03	Handle compl.	124.202
04	Basket for material	124.204
05	Pan head screw M 4x8	P...475 D
06	Hexagon screw M 6x12	P...472 R
06a	Hexagon screw M 6x25	P...472 U
07	Security nut M 5	P...493 G
08	Support	124.207
09	Star handle	124.208
10	Vacuum pipee sievee	P...071
11	Float compl.	124.306
12	Float tube	P...074 B
13	Flab for floater	P...076 D
14	Body of float	124.318
15	Connecting piece	124.206
16	Cylindrical brush compl. including items 16a-18	420.740
16a	Discharge hose	420.741
17	Hose socket 45x25x80 mm	500.409 A
17a	Cover for hose socket	500.410
18	Hose clamp Ø 39.6 mm	P...553 R
19	Cyl. socket screw M 5x25	P...588 K
20	Spring ring M 5	P...498 D
20a	Washer M 5	P...497 E
21	Hose support	P...109 A
22	Left hinge	124.309
23	Lower part of hinge	124.307
24	Right hinge	124.310
25	Distance ring	124.308
26	Allen screw M 6x18	P...497 H
27	Suction tube	124.316
28	Guide sleeve	124.305
29	Washer M 6	P...496 K
30	Stopp-nut M 6	P...493 K
31	Float support	125.305
32	Washer DIN 9021 6,4/18/1,6	P...496 L



- S1 = Schalter-Pumpenmotor / Interrupteur pour pompe / Main switch
- S2 = Schalter-Saugmotor / Interrupteur pour moteur d'aspiration /
Main switch for vacuum motor
- PM = Pumpenmotor / Pompe / Pump
- SM = Saugmotor / Moteur d'aspiration / Suction motor
- C1 = Entstörkondensator / Condensateur / Capacitor
- F1 = 1-Phasenfilter / Filtre / System filter

TW 1250

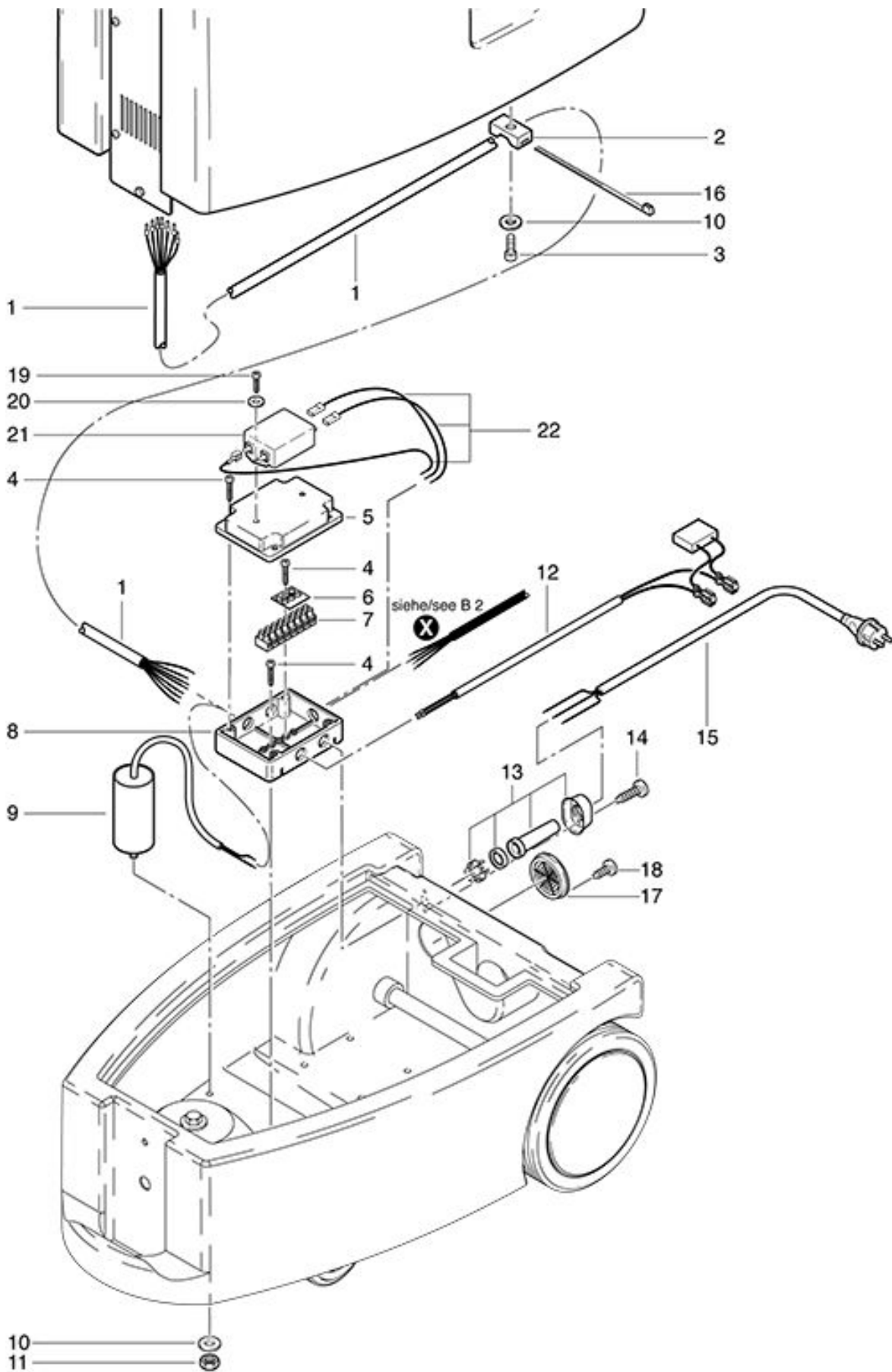
Wiring diagram

As at: 03/16/17 Time:14:18

Pos.	Description	Reference
C1	Capacitor 10uF	P...385 O
F1		125.040
PM	Motor pump 230 V/50Hz	P...220
S1	Touchbutton 250 V	124.313
S2	Touchbutton 250 V	124.313
SM	Vacuum motor	124.150

TW 1250
Electrical connection

As at: 03/16/17 Time:14:18



TW 1250

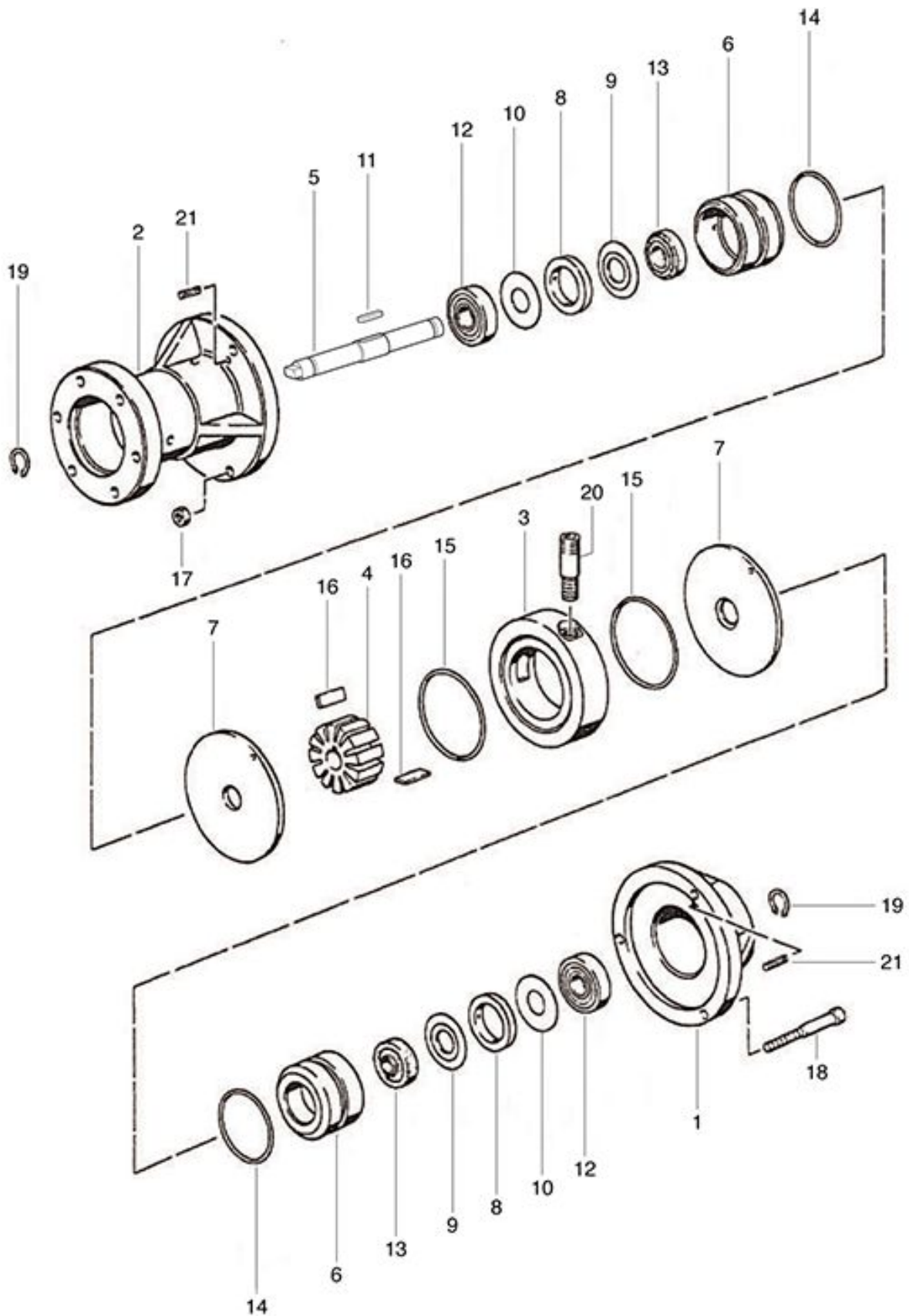
Electrical connection

As at: 03/16/17 Time:14:18

Pos.	Description	Reference
01	Cable tree for switch	124.303
02	Cable strap owner	125.111
03	screw DIN 7985 M6 x 12	P...476P
04	PT-screw KA 30x14	P...516 S
05	Distribution box cover	P...379 A
06	Marking plate	P...390
07	Terminal 9 poles	P...383 M
08	Terminal box bottom part	P...379
09	Capacitor 10 uF	P...385 O
10	Washer M 6	P...496 K
11	Hexagon nut M 6	P...490 D
12	Cable tree for vac motor	041.605
13	Antikink sleeve	6605178
14	PT-screw KA 40x25	P...516 O
15	Mains cable 800 mm SEV	124.107
16	Cable tie 4.8x200 mm	P...609
17	Grating ventilation round	P...030 L
18	PT-screw KA 50x16	P...515 Z
19	screw WN 1452 K30x10 A2	P...515 Q
20	Washer M 4	P...496 D
21		125.040
22		125.041

TW 1250
FZP - Pump

As at: 03/16/17 Time:14:18

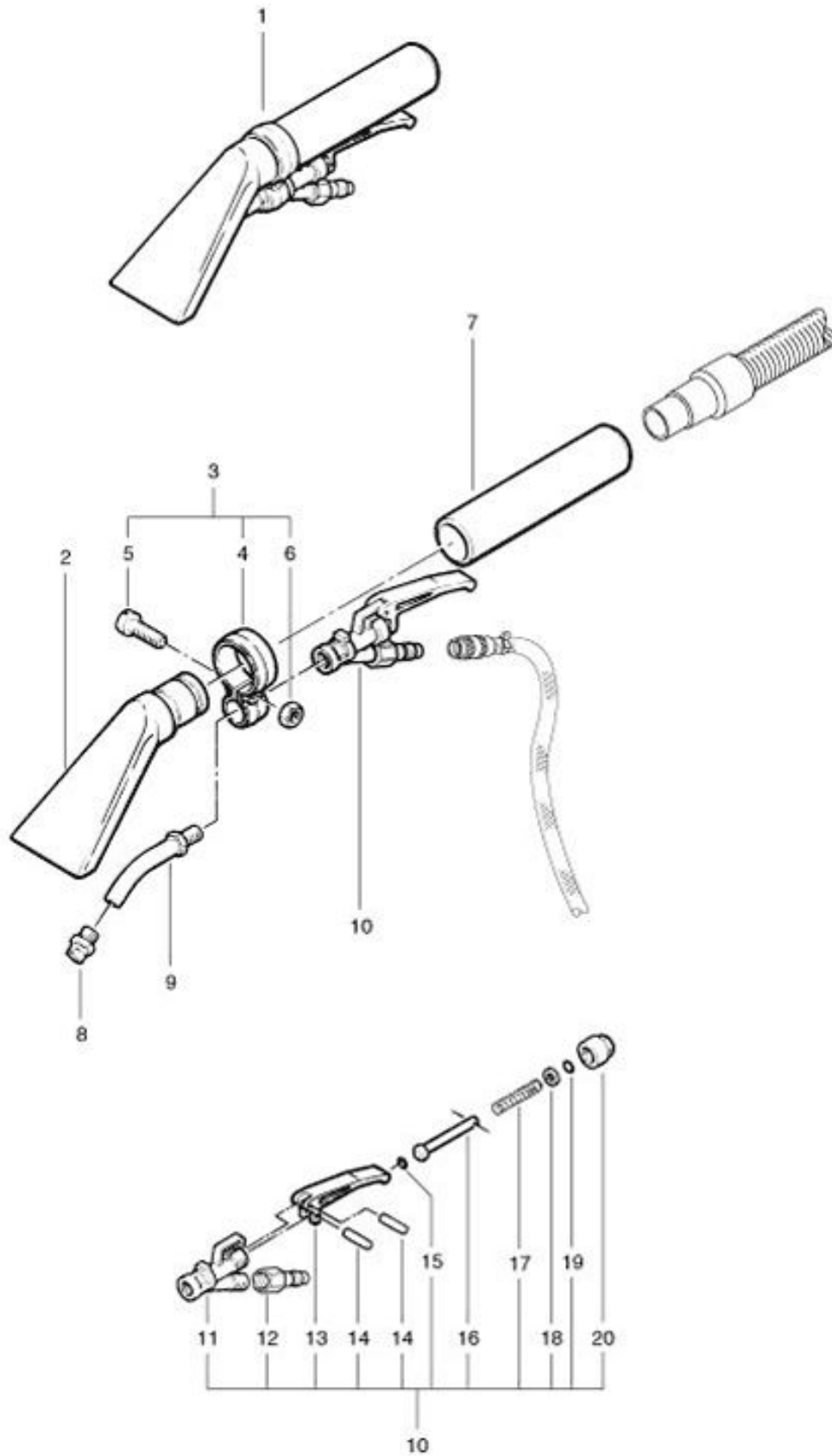


TW 1250

FZP - Pump

As at: 03/16/17 Time:14:18

Pos.	Description	Reference
	FZP - Pump compl.	P...802
01	Bearing plate in front	807.200
02	Bearing plate in the back	807.200
03	Eccentric hoop	P...801 B
04	Runner	801.003
05	Wave	801.004 AA
06	Bearing bush	807.260
07	Side window	807.280
08	Spacer ring 30x4	P...499 U
09	Shim 30x1,8	P...499 W
10	Shim 30x1,5	P...499 V
11	Feather / spring wedge 3/3x16\r\n\r\n	P...319 N
12	Ball bearing 6200	P...316 B
13	Radial rotary shaft seal 24x10x7	P...317 D
14	O-ring 34x2 mm	P...961 R
15	O-ring 47x1,5 mm	P...961 W
16	coal slidegate valve	807.320
17	Hexagon nut M 5	P...490 C
18	Hexagon socket screw M 5x40	P...486 N
19	Retaining washer A 10	P...801 K
20	Nipple G 1/4” x 40	801.009



TW 1250

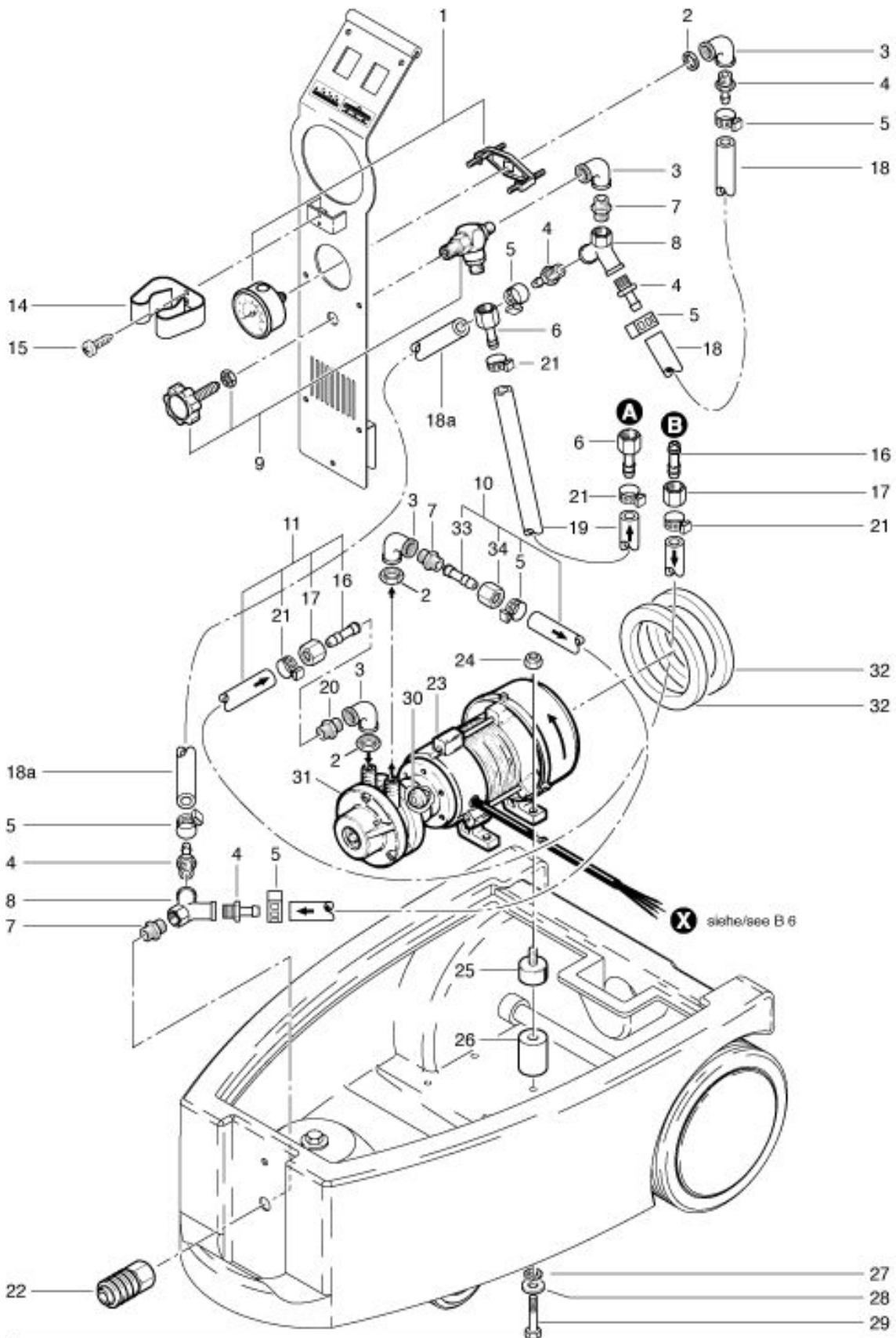
Upholstery tool

As at: 03/16/17 Time:14:19

Pos.	Description	Reference
01	Upholstery tool 8 cm	617.000
02	Upholstery tool 8 cm	617.623
03	Guide bride complete including items 4-6	P...683
04	Guide bride	P...683 A
05	Cylindrical screw M 5x18	P...683 B
06	Hexagon nut M 5	P...490 C
07	Hose	617.624
08	Flat fan nozzle	P...627
09	Pipe bend	617.625
10	Spray valve compl. including items 11-20	P...680
11	Valve body	P...680 A
12	Tapped nipple 1/4" big	P...501 B
13	Lever	P...681 C
14	Cyl. Pin Ø 1,5x14,5 mm	P...681 K
15	O-ring Ø 5,23 mm	P...681 F
16	Valve pin compl.	P...681 D
17	Valve spring	P...681 E
18	Washer M 5	P...497 G
19	O-ring Ø 5 mm	P...681 G
20	Cap nut	P...681 B

TW 1250
Pump assembling

As at: 03/16/17 Time:14:19



TW 1250

Pump assembling

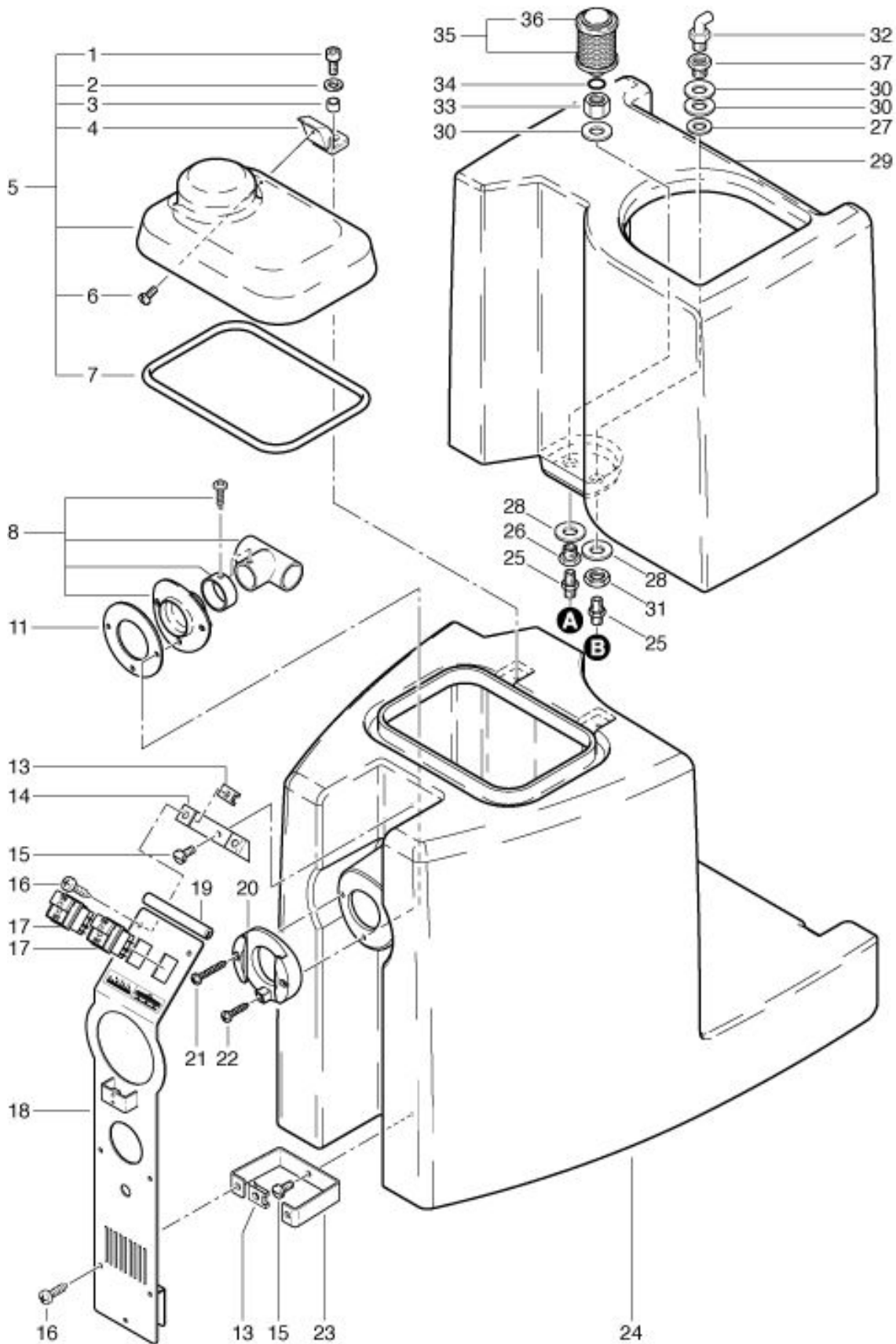
As at: 03/16/17 Time:14:19

Pos.	Description	Reference
01	Manometer HD	P...252 A
02	Hexagon nut G 1/4"	P...535 V
03	Angle G 1/4"	P...533 B
04	Nipple NW 8-1/4"	P...524 F
05	Hose clamp 17,0-706R	P...550 C
06	Hose nipple	P...525 K
07	Double nipple G 1/4" - 1/4"	P...520 C
08	Y-piece 1/4"	125.103
09		P256B
09	By pass valve	P...256
10	Pressure hose Pump - coupling cpl.	125.106
11	Suction hose cpl. 80 cm	125.105
14	Clamp for mounting tool	124.314
15	Screw DIN 84 M 4x25	P...477 H
16	Slide screwed joint LW 10x3/8"	P...522 F
17	Sleeved nut 3/8"	P...523 E
18	Pressure hose 26 cm	125.117
18a	Pressure hose 122 cm	125.116
19	Suction hose 60 cm	125.114
20	Double nipple A 1/4" - A3/8"	P...521 C
21	Hose clamp 018,5-706R	P...551 Q
22	Quick connector G 1/4"	380.045
23	Motor pump 230V/50Hz	P...220
24	Stop nut M 6	P...492 K
25	Round buffer M 6	500.499
26	Distance piece	125.102
27	Teetwisher	P...499 D
28	Hexagon screw M 6x 45	P...472 Y
29	Washer M 6	P...496 L
30	Coupling	P...804
31	Pump FZP	P...802
32	Sealing ring 103/77x10 mm	P...013
33	Hexagon screw LW 8-1/4"	P...522 C
34	Sleeved nut	P...522 G

TW 1250

Waste water tank and clean water tank

As at: 03/16/17 Time:14:19



TW 1250

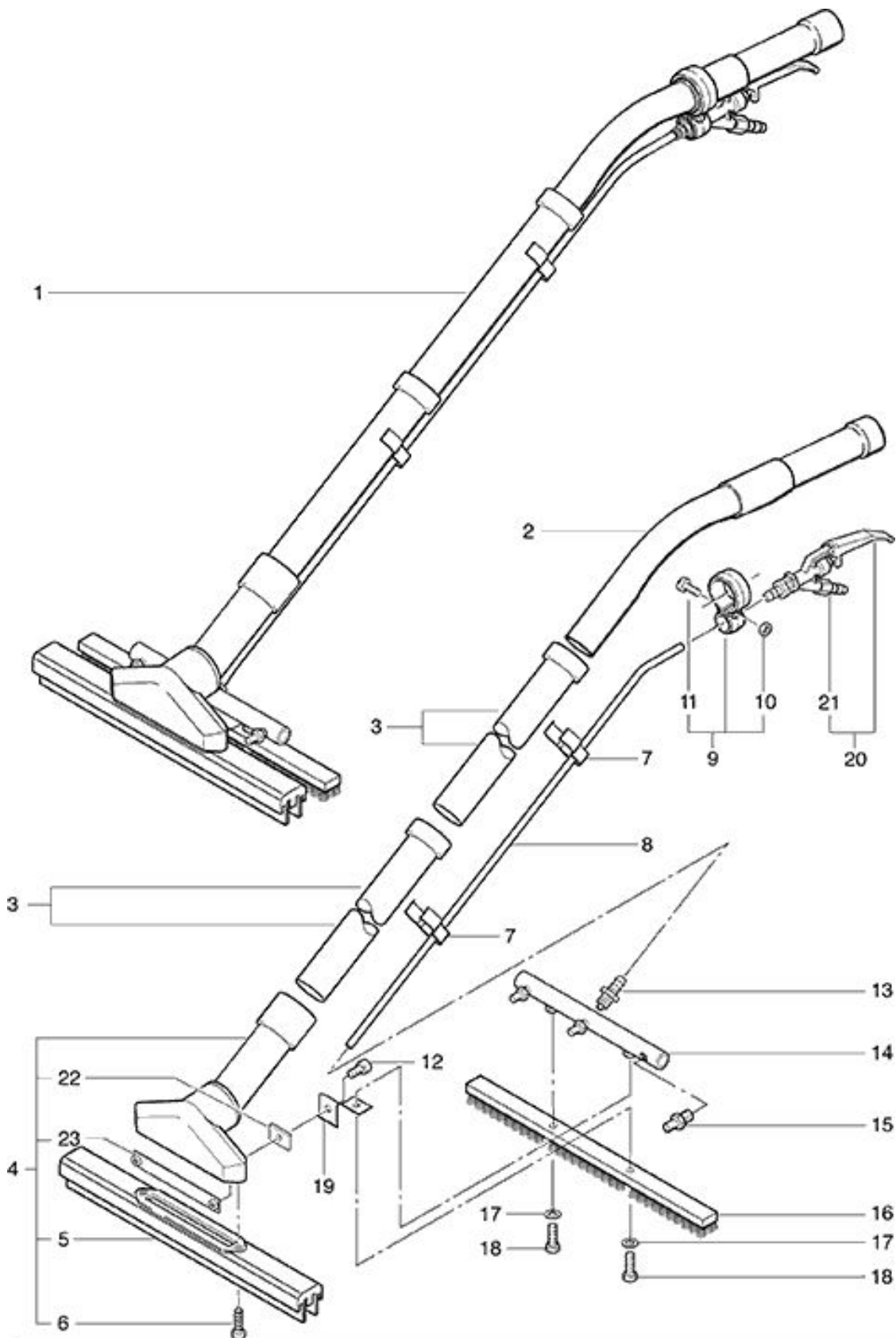
Waste water tank and clean water tank

As at: 03/16/17 Time:14:19

Pos.	Description	Reference
01	Cylindrical screw M 5x12	P...488 B
02	Washer M6	P...497 K
03	Distance ring	430.618
04	Hinge	430.616
05	Cover compl.	124.350
06	Countersunk screw M 4x8	P...480 O
07	Seal for cover	124.315
08	Inlet pipe compl.	124.321
11	Seal	649012512
13	Metal clamp	P...494 E
14	Upper fixation	124.311
15	screw DIN 7985 M6 x 12	P...476P
16	Screw 4,8x19 sw	P...482 B
17	Touchbutton 250 V	124.313
18	Covering plate	125.104
19	Seal for panel	124.323
20	Hose connection	4012234
21	PT screw KA 50x35	P...515 N
22	PT screw KA 50x30	P...515 M
23	Panel fixation	124.312
24	Waste water tank compl.	124.301
25	Double fitting G 1/4" AG	P...520 C
26	Connector 3/8" - 1/4"	P...535 A
27	Gasket 3/8"	P...097 A
28	Washer DIN 125 M 16, 17/30/3	P...510 N
29	Clean water tank	125.201
30	Gasket 30/17x2 mm	P...097
31	Hexagon nut 3/8"	P...535 B
32	Angle connector	P...541 H
33	Nut 3/8" SW 22	P...535 D
34	O-ring Ø 15x2 mm	P...960 N
35	Fresh water filter	P...103
36	Guard ring with flap	P...499 L
37	Reducer G 3/8" - 1/4"	P...535 J

TW 1250
Hard floor attachment 37 cm

As at: 03/16/17 Time:14:20



TW 1250

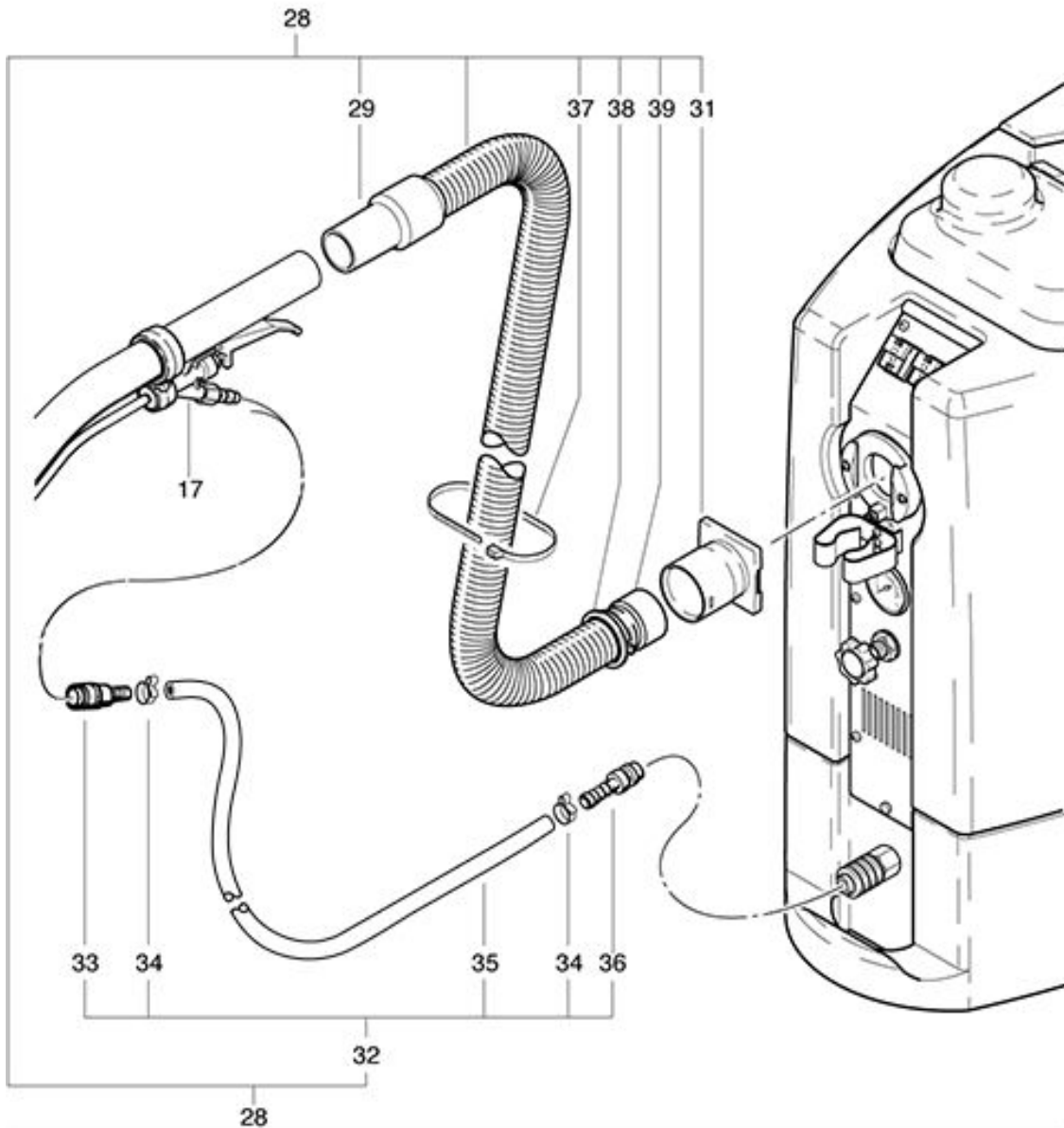
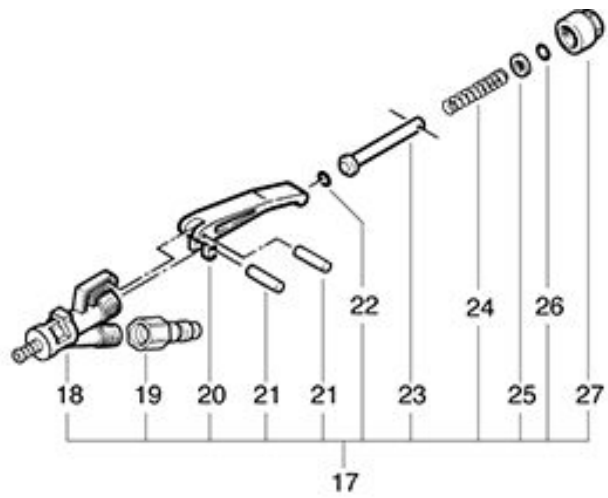
Hard floor attachment 37 cm

As at: 03/16/17 Time:14:20

Pos.	Description	Reference
01	Hard floor adapter 37 cm	632.000
02	Tool handle (stainless steel) Ø 32	P...581 D
03	Stainless steal tube	645.002 A
04	Suction nozzle assy. including item 6, 22 and 23	632.001
05	Sueegee compl.	P...633
06	Screw DIN 7981 C 4,8x19 A2	P...483 O
07	Hose clamp	P...568
08	Hose NW 6x1100	632.003
09	Guide bride compl.	P...683
10	Hexagon nut M 5	P...490 C
11	Cylindrical screw M 5x18	P...683 B
12	Hexagon screw M 6x16	P...488 P
13	Nipple with backfiring valve	P...524 R
14	Pipe bend	P...631
15	Spraying jet	P...640 A
16	Brush gib	P...636
17	Washer M 6	P...497 K
18	Cylindrical screw M 6x16	P...477 R
19	Hose clip	632.006
20	Spray valve compl.	P...684
21	Hose connector compl.	P...501 B
22		632.005
23		632.002

TW 1250
Spray and suction hose

As at: 03/16/17 Time:14:26



TW 1250

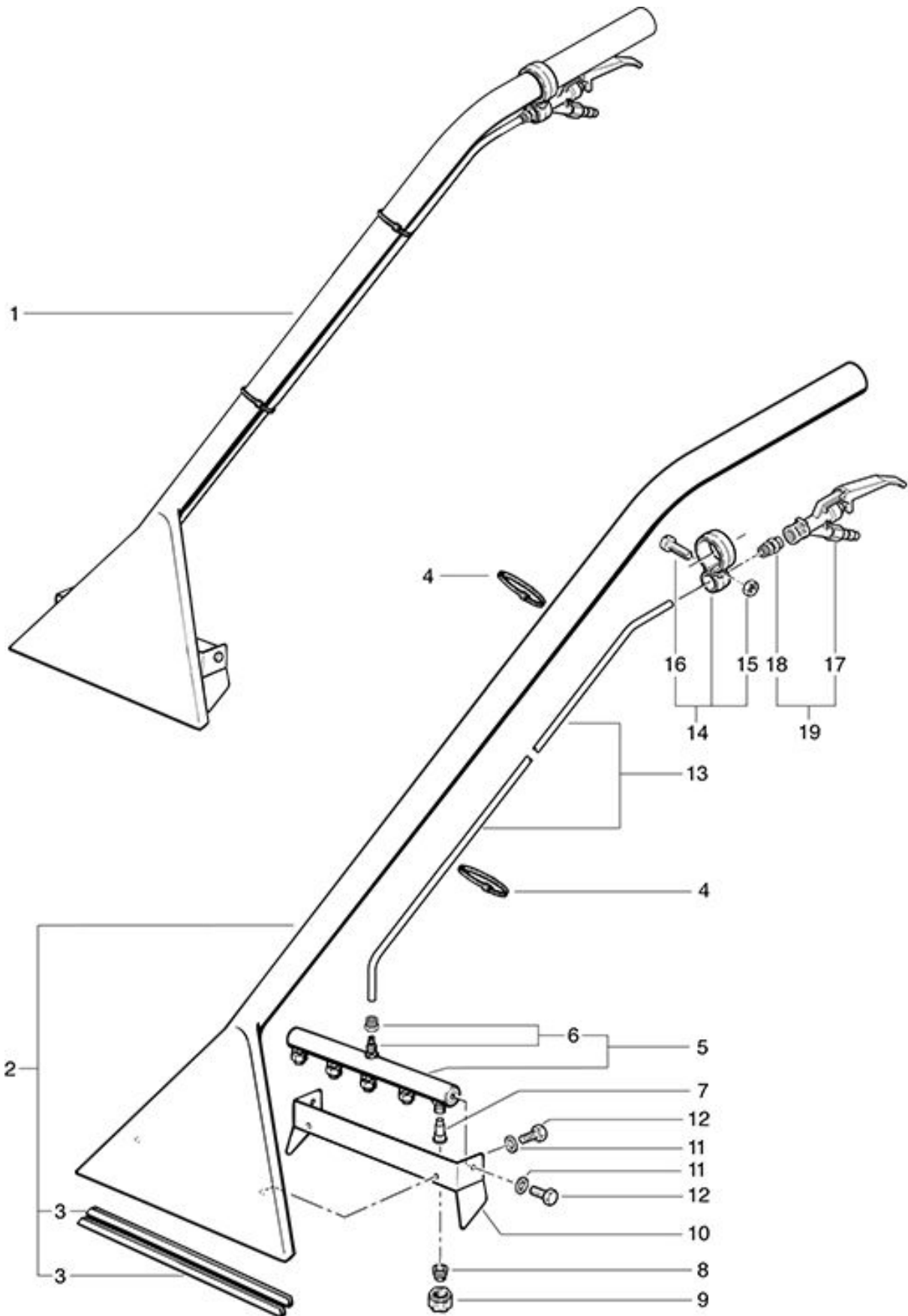
Spray and suction hose

As at: 03/16/17 Time:14:26

Pos.	Description	Reference
17	Spray valve compl. including: items 18-27	P...681
18	Valve body	P...681 A
19	Tapped nipple 1/4" big	P...501 B
20	Lever	P...681 C
21	Cylindrical pin Ø 1,5x14,5 mm	P...681 K
22	O-ring 5.23 mm	P...681 F
23	Valve pin compl.	P...681 D
24	Valve spring	P...681 E
25	Washer M 5	P...497 G
26	O-ring Ø 5 mm	P...681 G
27	Cap nut	P...681 B
28	Vacuum and spray hose 4 m including: items 29-39	125.400
29	Hose end connector	P...560 C
31	Hose end connector	4011745
32	Spraying hose HD compl. 3,8m including items 33-36	125.410
33	Female quick connector, big	P...500 C
34	Hose clamp 18,5-706 R	P...551Q
35	Spraying hose 6/12x3800 mm	124.400 B
36	Quick connector male, big	P...501 C
37	Cable tie 4.8x300 mm	P...424
38	Connecting ring	6505477
39	Security ring	6505476

TW 1250
Carpet adaptor, 5-nozzles

As at: 03/16/17 Time:14:28

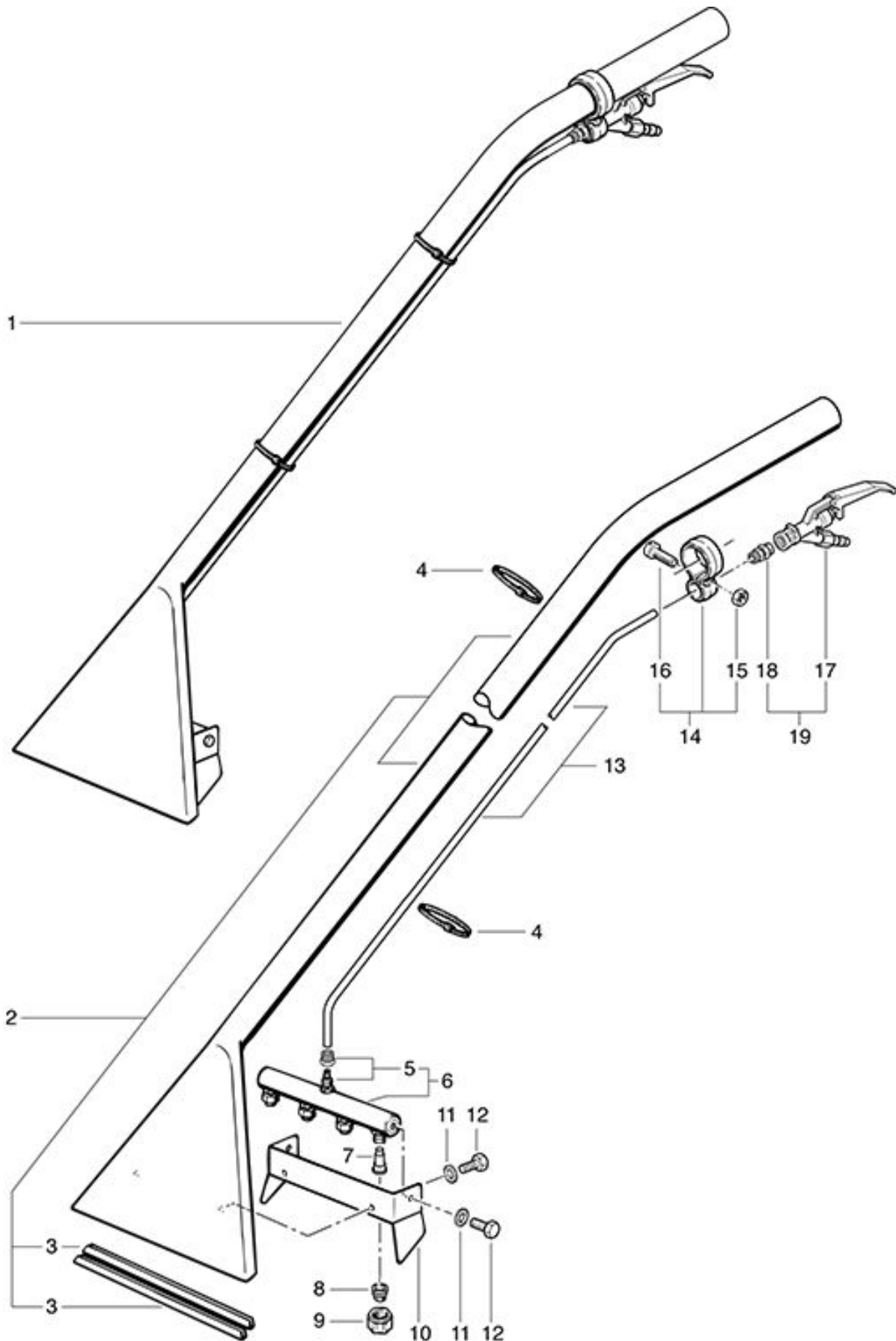


TW 1250

Carpet adaptor, 5-nozzles

As at: 03/16/17 Time:14:28

Pos.	Description	Reference
01	Carpet adaptor, 5-nozzles, HD compl.	608.000
02	Tube with nozzle, Alu	P...612
03	Sliding blade 355 mm	P...612 D
04	Cable tie 190 mm	P...609
05	Pipe bend compl. 320mm	P...616
06	Hose connector compl.	P...526A
07	Flashback nozzle	P...607 E
08	Spraying jet	P...607 F
09	Cap nut 3/8"	P...523 D
10	Support 380 mm	P...613
11	Serrated lock washer M 6	P...499 D
12	Hexagon screw M 6x8	P...472 P
13	Hose 6/8 x 1180	P...608
14	Guide bride compl.	P...683
15	nut DIN 934 M5	P...490 C
16	Cylindrical screw M 5x18	P...683 B
17	Spray valve complete	P...680
18	Hose connector compl.	P...526 A
19	Valve compl.	P...680 B



TW 1250

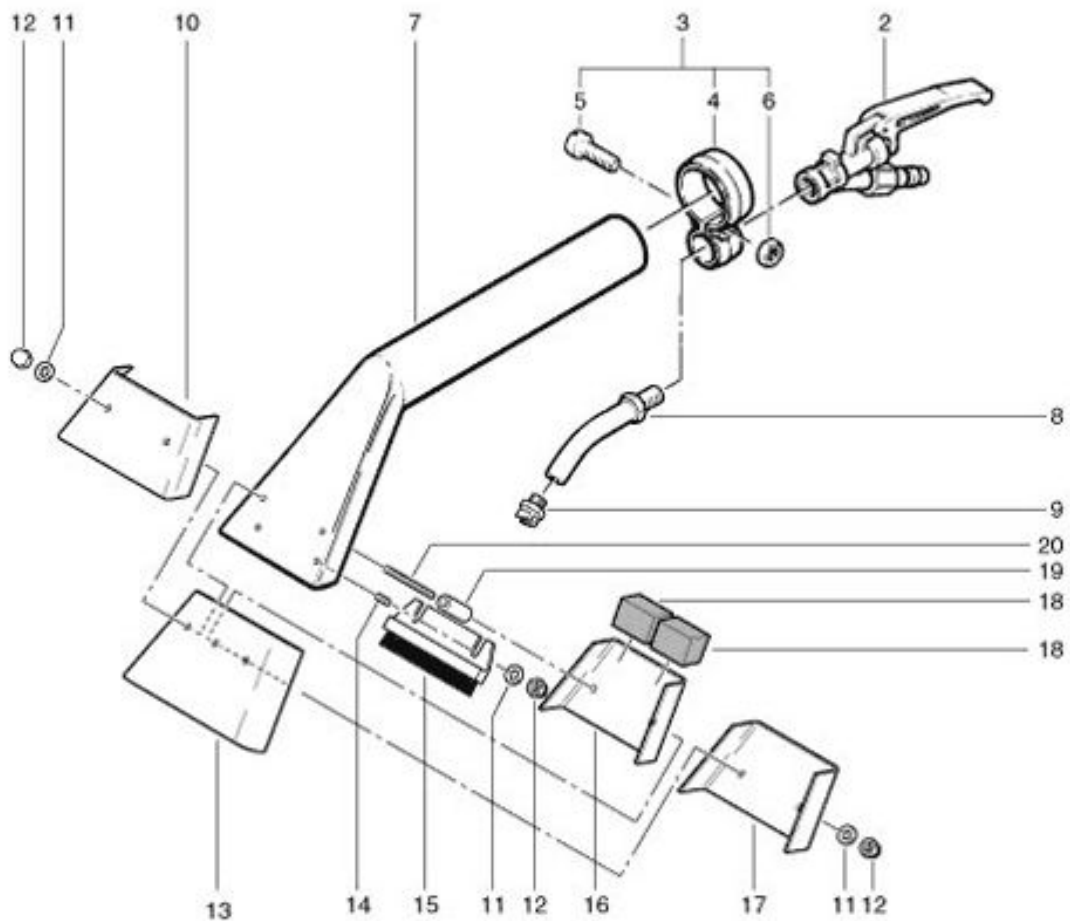
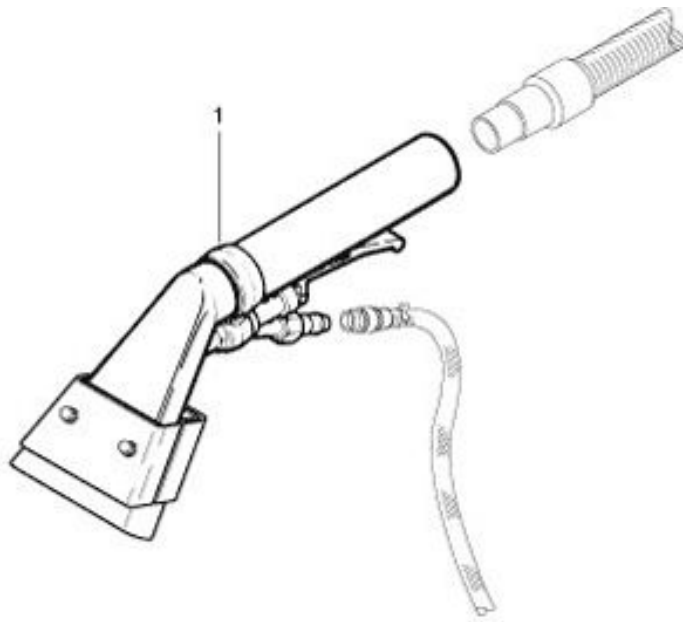
Carpet adaptor

As at: 03/16/17 Time:14:28

Pos.	Description	Reference
01	Carpet adapter, 4-nozzles	611.000
02	Tube with nozzle 30 cm	P...605
03	Sliding blade 275 mm	P...605 D
04	Cable tie 4.8x200 mm	P...609
05	Hose connector compl.	P...526 A
06	Pipe bend 250 mm	P...607
07	Flashback nozzle	P...607 E
08	Spraying jet	P...607 F
09	Sleeved nut	P...523 D
10	Support 25cm	P607A
11	Washer M 6	P...499 D
12	Hexagon screw M 6x8	P...472 P
13	Hose 6/8	P...608
14	Guide bride compl.	P...683
15	nut DIN 934 M5	P...490 C
16	Cylindrical screw M 5x18	P...683 B
17	Spray valve compl.	P...680
18	Hose connector compl.	P...526 A
19	Valve compl.	P...680 B

TW 1250
Spray nozzle for walls

As at: 03/16/17 Time:14:29



TW-1250
Zubehör

Wand- und Deckendüse / Suceur inj/extr. Parois / Spray nozzle for walls

B 10-06.2004

TW 1250

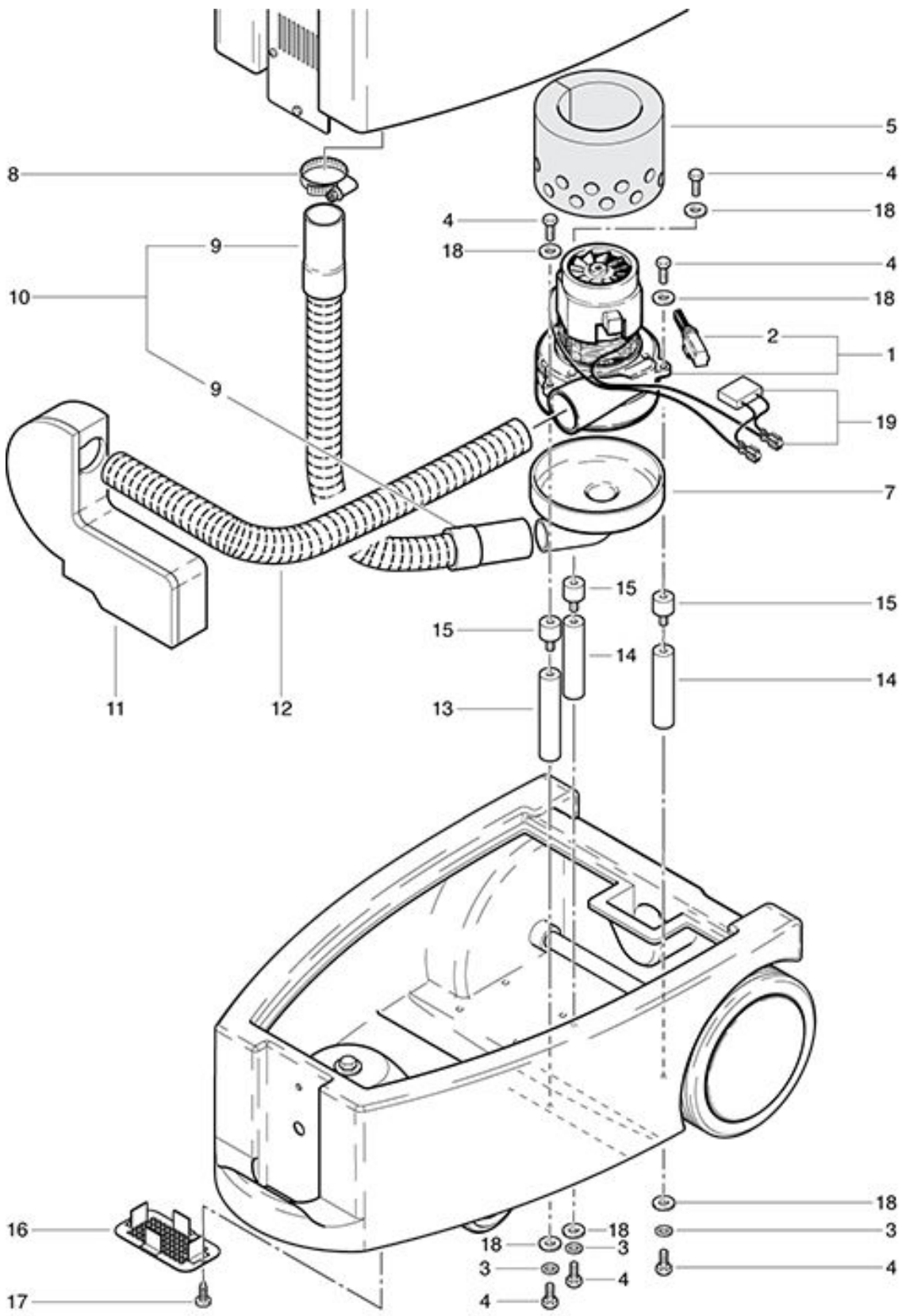
Spray nozzle for walls

As at: 03/16/17 Time:14:29

Pos.	Description	Reference
01	Wall and ceiling tool 9 cm	622.000
02	Spray valve compl.	P...680
03	Guide bride complete including items 4-6	P...683
04	Guide bride	P...683 A
05	Cylindrical screw M 5x18	P...683 B
06	Hexagon nut M 5	P...490 C
07	Nozzle housing	622.100
08	Pipe bend	P...628
09	Spray nozzle	P...629
10	Shett metal clamp front	622.102
11	Washer DIN 125A M4 4,3/9/0,8 Ms	P...497 D
12	Nut M 4	P...495 C
13	Rubber cover for wall washer	622.104
14	Thread pin M 4x10	P...483 D
15	Brush for wall washer 9 cm	622.636
16	Splash protection	622.101
17	Sheet metal clamp behind	622.103
18	Distance piece 30x20x20	622.107
19	Distance piece 8/4x16	622.106
20	Thread pin M 4x55	622.105

TW 1250
Vacuum motor assembling

As at: 03/16/17 Time:14:30



TW 1250

Vaccum motor assembling

As at: 03/16/17 Time:14:30

Pos.	Description	Reference
01	Vacuum motor	124.150
02	Pair of carbon brushes	
03	Washer M 6	P...499 D
04	Hexagon screw M 6x12	P...470 R
05	Noise absorber for motor	530.737
07	Connection cap compl.	470.490
08	Hose clamp	P...206 D
09	Hose socket	124.115
10	Suction hose cpl. 900 mm	124.109
11	Noise absorbing canal	124.112
12	Air discharge hose 600 mm	124.110
13	Distance piece 101 mm	124.104
14	Distance piece 93 mm	124.105
15	Round buffer M 6	500.499
16	Covering piece	124.116
17	PT screw KA 30x14	P...516 S
18	Washer M 6	P...496 L
19	Cable tree for Vacuum motor	041.605