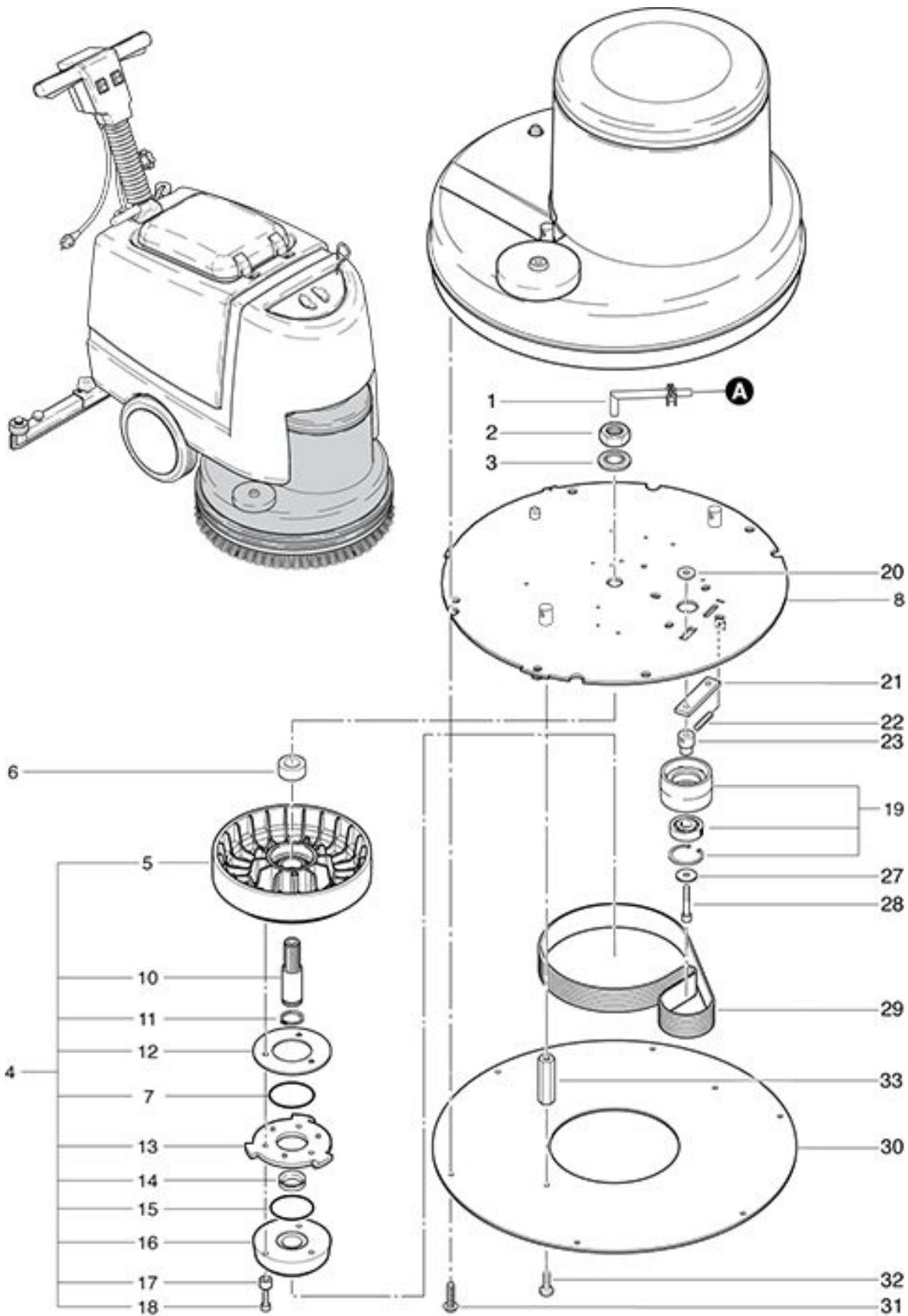


RA 501 E
Drive and waterdistribution

As at: 03/20/17 Time:14:49



RA 501 E

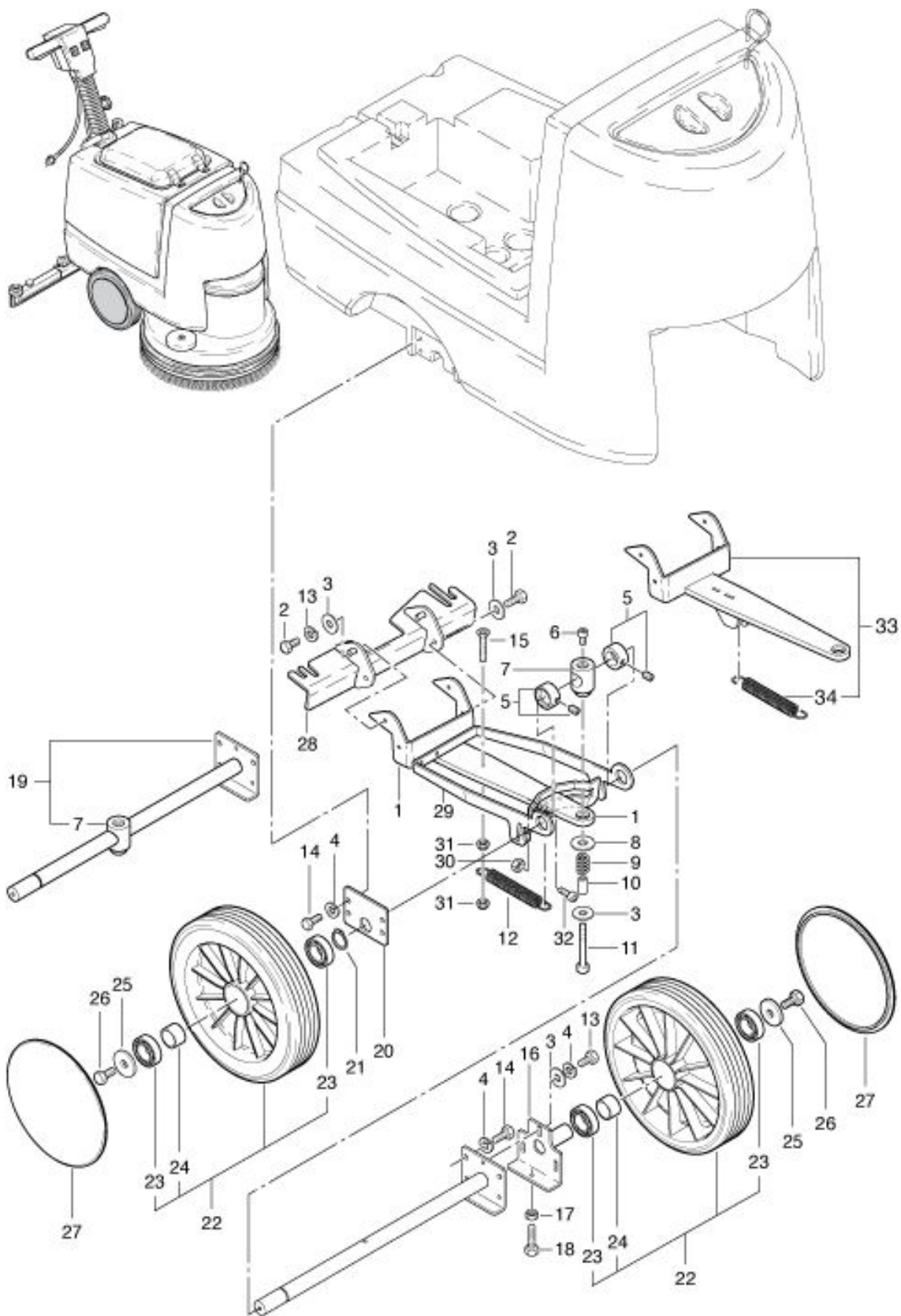
Drive and waterdistribution

As at: 03/20/17 Time:14:49

| Pos. | Description | Reference |
|-------------|--|------------------|
| 01 | Distribution tube | 432.166 |
| 02 | Hexagon nut M 20x1.5 | P...492 R |
| 03 | Washer M 20 | P...498 Q |
| 04 | Belt wheel pre-mounts cpl. including items 5,7,10-18 | 436.126 |
| 05 | Drive pulley | 726.130 |
| 06 | Can | 432.507 |
| 07 | O-ring 55,25x2.62 | P...964 A |
| 08 | Drive plate | 501.502 |
| 10 | Main shaft | 742.125 |
| 11 | Security ring Ø 25 | P...513 D |
| 12 | Distance ring 46x99/1 | 430.136 |
| 13 | Star wheel | 742.141 |
| 14 | V-profile ring | P...343 A |
| 15 | O-ring 52x2.62 | P...964 B |
| 16 | Brush support | 430.157 |
| 17 | Distance ring 6/8x4 mm | 742.129 |
| 18 | Cylindrical screw M 6x20 | P...487 S |
| 19 | Guide pulley | 726.301 |
| 20 | Groove nut | 720.125 |
| 21 | Support | 720.128 |
| 22 | Thread pin I-6Kt. M 6x25 | P...513 K |
| 23 | Federation tap | 436.127 |
| 27 | Washer M 8 | P...496 Q |
| 28 | Cylindrical ring M 8x45 | P...487 T |
| 29 | Rib tape | 720.115 |
| 30 | Cover plate | 501.517 |
| 31 | PT screw KA 50x25 | P...515 L |
| 32 | Fillister-head screw M 5x16 | P...476 E |
| 33 | Distance stops | 501.521 |

RA 501 E
Chassis and Wheel

As at: 03/20/17 Time:14:50



RA 501 E

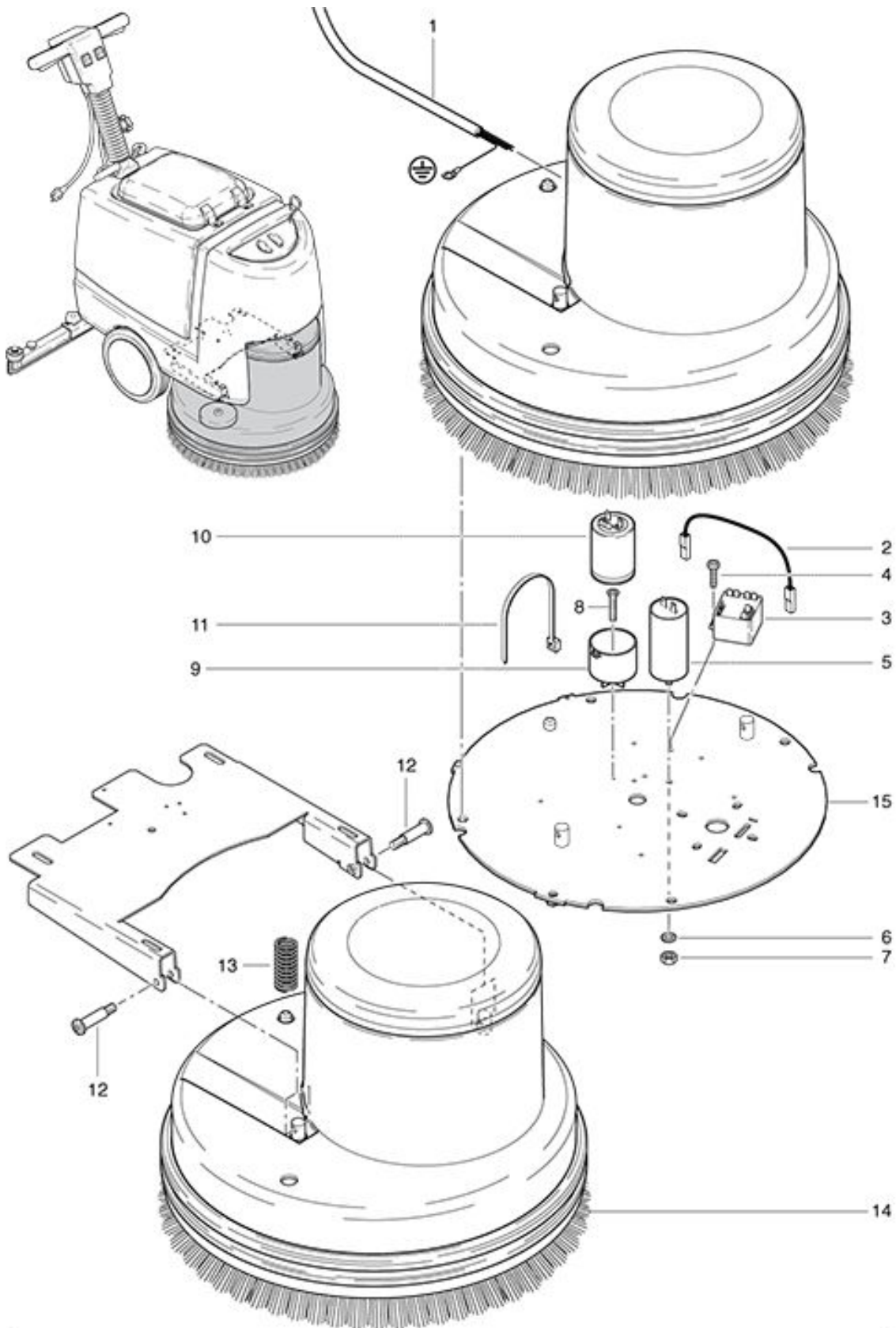
Chassis and Wheel

As at: 03/20/17 Time:14:50

| Pos. | Description | Reference |
|-------------|---|------------------|
| 01 | Lever compl. | 432.982 |
| 02 | Hexagon screw M 6x12 | P...470 R |
| 03 | Washer DIN 127B M6 6,1/11,8/1,6 | P498U |
| 04 | Spring ring M 6 | P...498 U |
| 05 | Tension ring with thred pin Ø 10/20/10 | P...335 |
| 06 | Screw M 6x10 | P...486 YC |
| 07 | Ball stud | 432.063 |
| 08 | Washer M 10.5x30x2.5 | P...496 S |
| 09 | Compression spring Ø 12.5x22 | 432.083 |
| 10 | Distance washer | 432.081 |
| 11 | Cylindrical screw M 6x40 | P...486 Y |
| 12 | Spring | 432.084 A |
| 13 | Hexagon screw M 6x10 | P...471 Z |
| 14 | Hexagon screw M 6x16 | P...470 T |
| 15 | Countersunk screw M 6x25 | P...480 H |
| 16 | Clamping plat adjustably | 432.061 |
| 17 | Hexagon nut M 6 | P...490 D |
| 18 | Hexagon screw M 6x20 | P...470 X |
| 19 | Axle compl. incl. Pos. 7 | 432.060 |
| 20 | Clamping plate | 432.062 |
| 21 | Security ring A 20 | P...513 EA |
| 22 | Wheel Ø 200x53 mm including Items 23+24 | 530.240 |
| 23 | Ball bearing | P...316 R |
| 24 | Distance piece | 530.246 |
| 25 | Washer M 6x25 | P...497 Y |
| 26 | Hexagon screw M 6x12 | P...470 R |
| 27 | Wheel cover | 530.242 |
| 28 | Nozzle support angle | 432.380 |
| 29 | Nozzle holder | 432.080 |
| 30 | Hexagon nut M 8 | P...492 N |
| 31 | Locknut M 6 | P...492 K |
| 32 | Hexagon screw M 8x16 | P...489 I |
| 33 | Lever compl. up to Masch. No. 8820.001 | 432.075 |
| 34 | Tension spring | 432.084 A |

RA 501 E Capacitor

As at: 03/20/17 Time:14:50

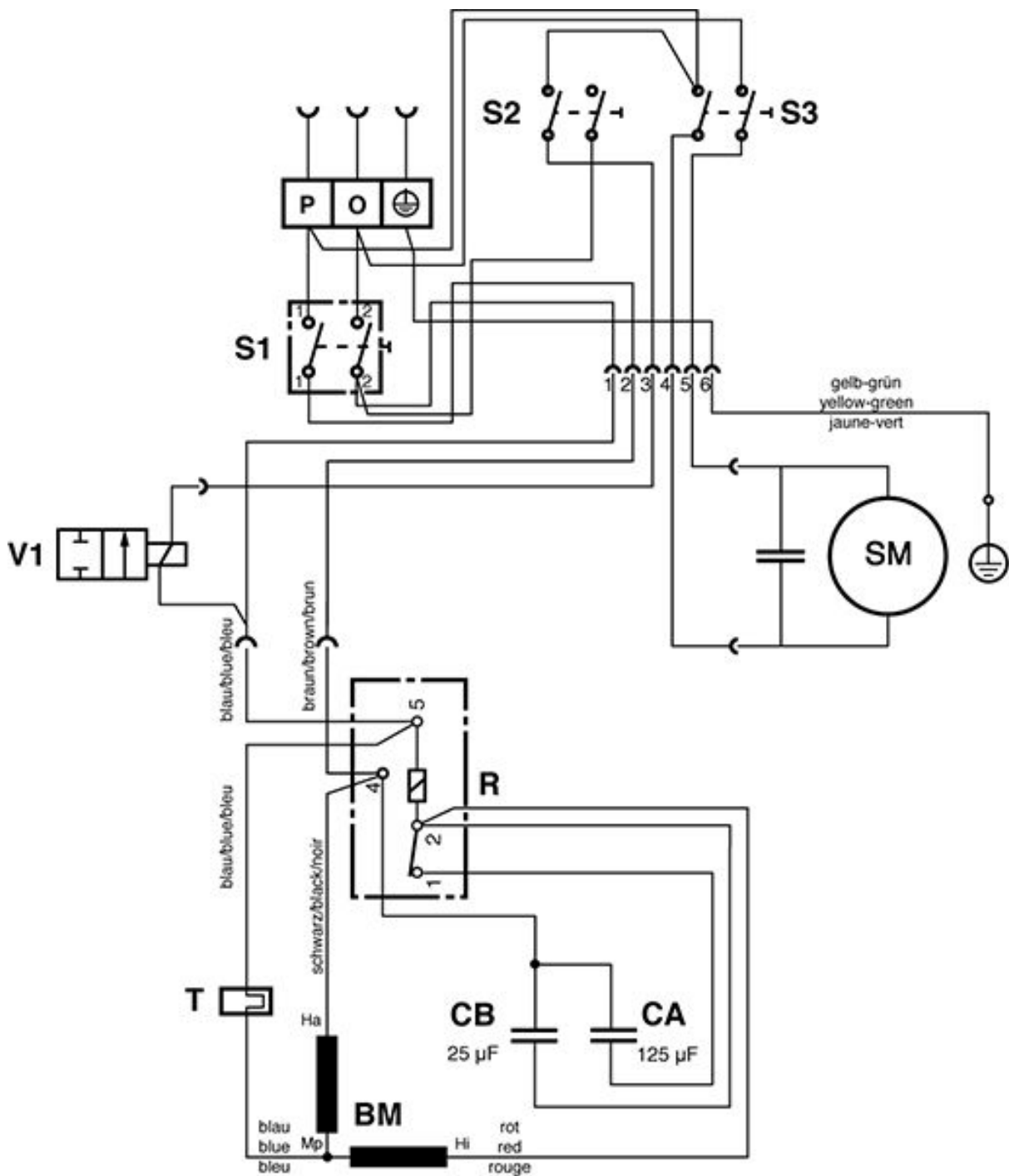


RA 501 E

Capacitor

As at: 03/20/17 Time:14:50

| Pos. | Description | Reference |
|-------------|--------------------------------|------------------|
| 01 | Motor cable | 430.317 |
| 02 | Cable | 790.556 |
| 03 | Relais | P...350 |
| 04 | PT screw KA 30x10 | P...516 A |
| 05 | Capacitor 25 uF, 450VAC | 720.122 A |
| 06 | Serated lock washer M 8 | P...498 G |
| 07 | Nut M 8 | P...491 F |
| 08 | Countersunk screw M 4x25 | P...480 V |
| 09 | Capacitor holder | 741.316 |
| 10 | Capacitor 125 uF, 320V | 742.328 |
| 11 | Cable tie 4.8x300 mm | P..424 |
| 12 | Pass shoulder screw 8x25/M 6x6 | 432.521 |
| 13 | Compression spring 68x18x2 | 432.520 |
| 14 | Scrubbing brush PPN 0,6 | 730.059 |
| 15 | Drive plate | 501.502 |



- S1 = Taster Bürstmotor / Tumbler switch for motor / Interrupteur pour moteur
- S2 = Schalter Ventil / Valve - Switch / Interrupteur pour valve
- S3 = Schalter Saugmotor / Suction motor switch / Interrupteur pour moteur
- R = Startrelais / Relais / Relais de démarrage
- CA = Anlaufkondensator 125 µF / Capacitor 125 µF / Capaciteur 125 µF
- CB = Betriebskondensator 25 µF / Capacitor 25 µF / Capaciteur 25 µF
- BM = Bürstmotor / Motor / Moteur
- SM = Saugmotor / Moteur d'aspiration / Vacuum motor
- T = Temperaturwächter / Temperature switch
- V1 = Ventil / Valve

RA 501 E

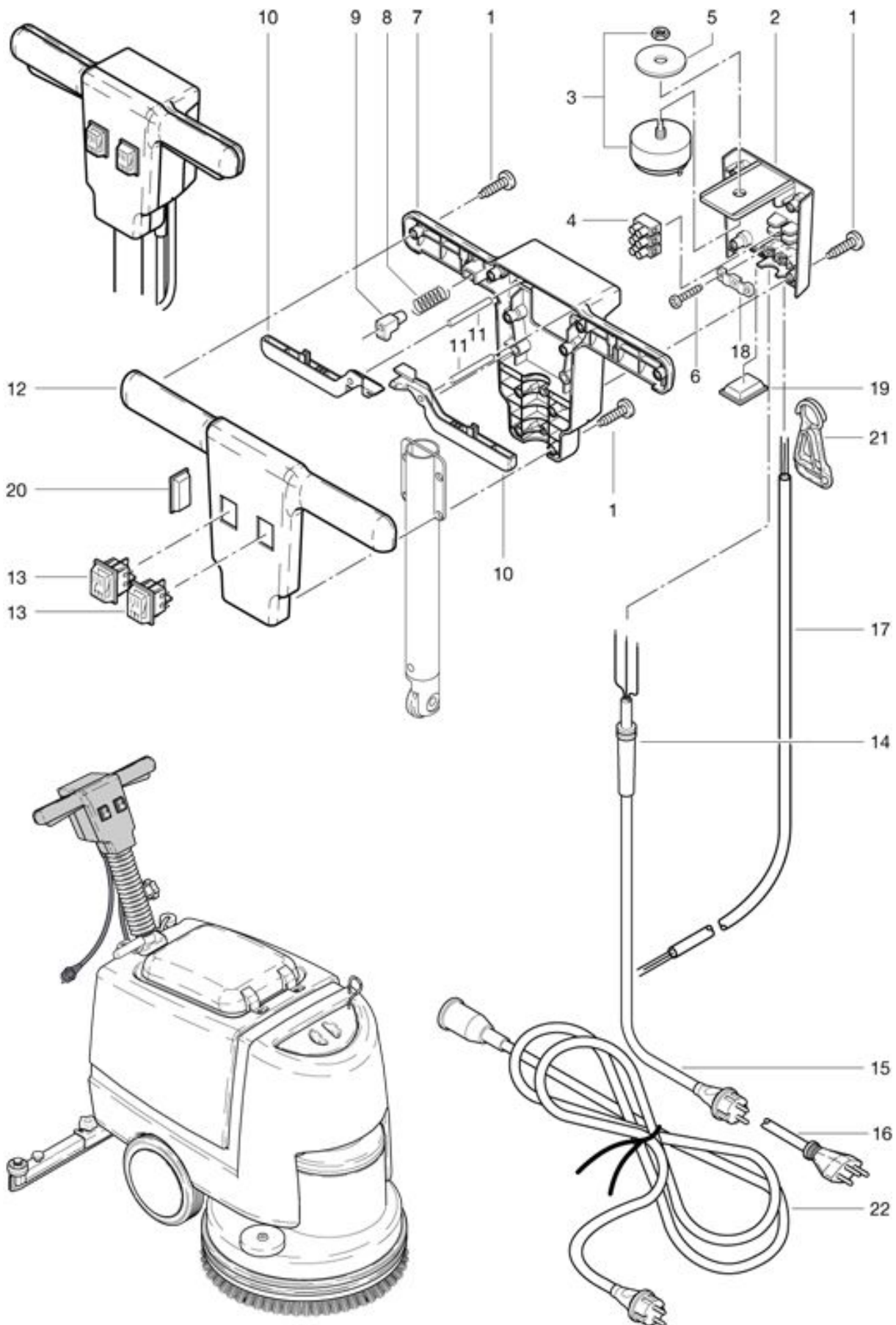
Wiring diagram

As at: 03/20/17 Time:14:51

| Pos. | Description | Reference |
|-------------|-------------------------|------------------|
| BM | Motor 230V/50Hz | 720.121 |
| CA | Capacitor 125 uF,320V | 742.328 |
| CB | Capacitor 25 uF, 450VAC | 720.122 A |
| R | Relais | P...350 |
| S1 | Switch (2) | 6650454 |
| S2 | Valve-switch | P...240 |
| S3 | Valve-switch | P...240 |
| SM | Vacuum motor | 430.491 |
| T | Temperature switch | |
| V1 | Magnetic valve 230V | P...257 |

RA 501 E Handle

As at: 03/20/17 Time:14:51



RA 501 E

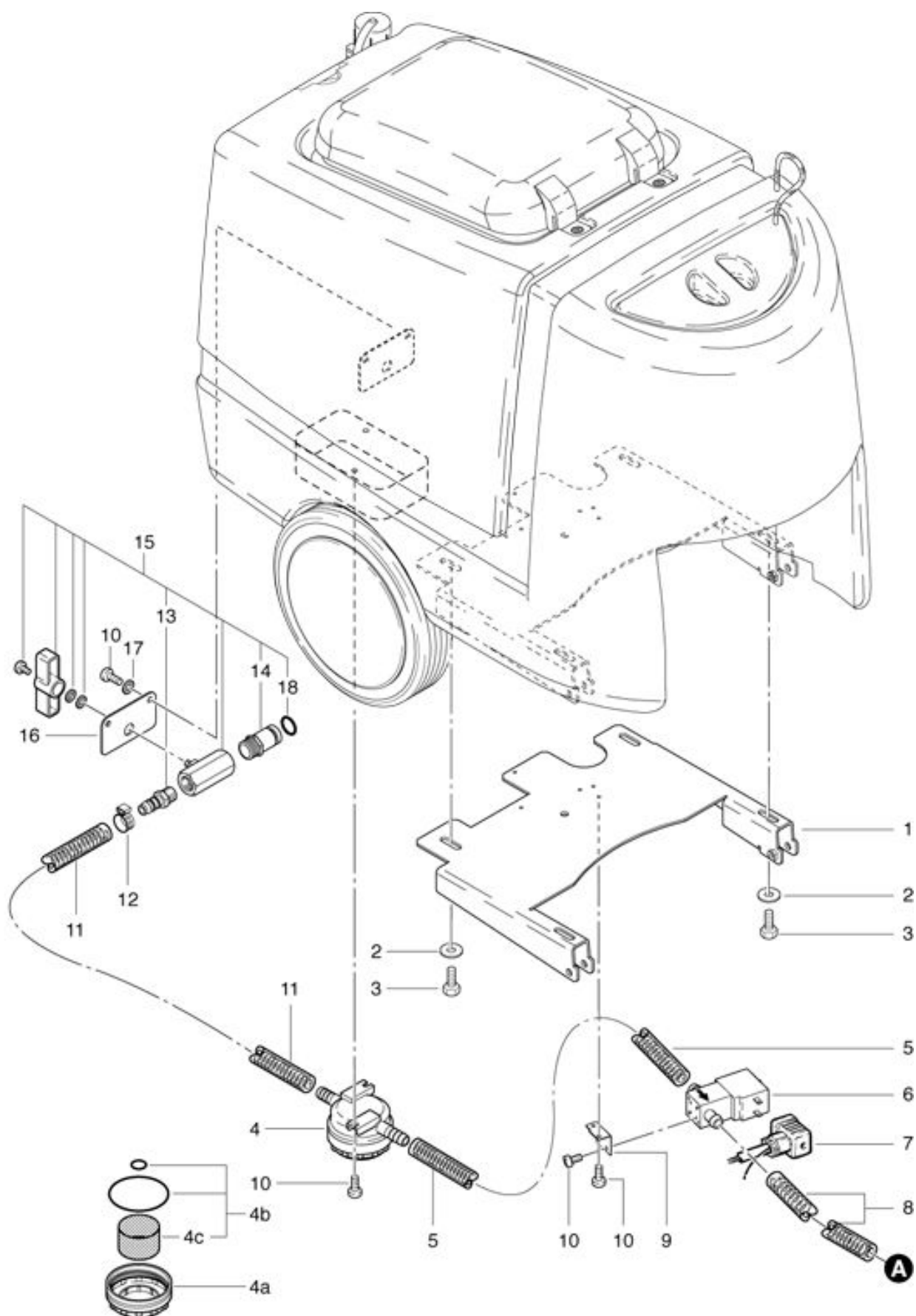
Handle

As at: 03/20/17 Time:14:51

| Pos. | Description | Reference |
|-------------|-----------------------------|------------------|
| 01 | PT screw KA 50x25 | P...515 L |
| 02 | Rear handle cover | 741.310 |
| 03 | Switch (2) | 6650454 |
| 04 | Electrical terminal (3) | P...383 N |
| 05 | Washer M 12/13/37/3 | P...496 |
| 06 | Screw M 5x20 | P...515 K |
| 07 | Rear handle housing | 430.324 |
| 08 | Pressure spring | 742.209 |
| 09 | Button | 742.208 |
| 10 | Switch handle | 741.204 |
| 11 | Cylindrical pin Ø 650 | P...512 M |
| 12 | Front handle housing | 430.321 |
| 13 | Valve-switch | P...240 |
| 14 | Rubber clamp | P...408 K |
| 15 | Connection cable 680 mm VDE | P...400 B |
| 16 | Connection cable 680 mm SEV | P...400 D |
| 17 | Cable tree for pushbar | 432.319 |
| 18 | Cable clamp | 4611085 |
| 19 | Cover black | 741.216 |
| 20 | Cover | P...171 O |
| 21 | Cable assembly discharge | P...375 |
| 22 | Extension cable VDE 20 m | 500.863 |

RA 501 E Magnetic valve and Filter assembling

As at: 03/20/17 Time:14:51



RA 501 E

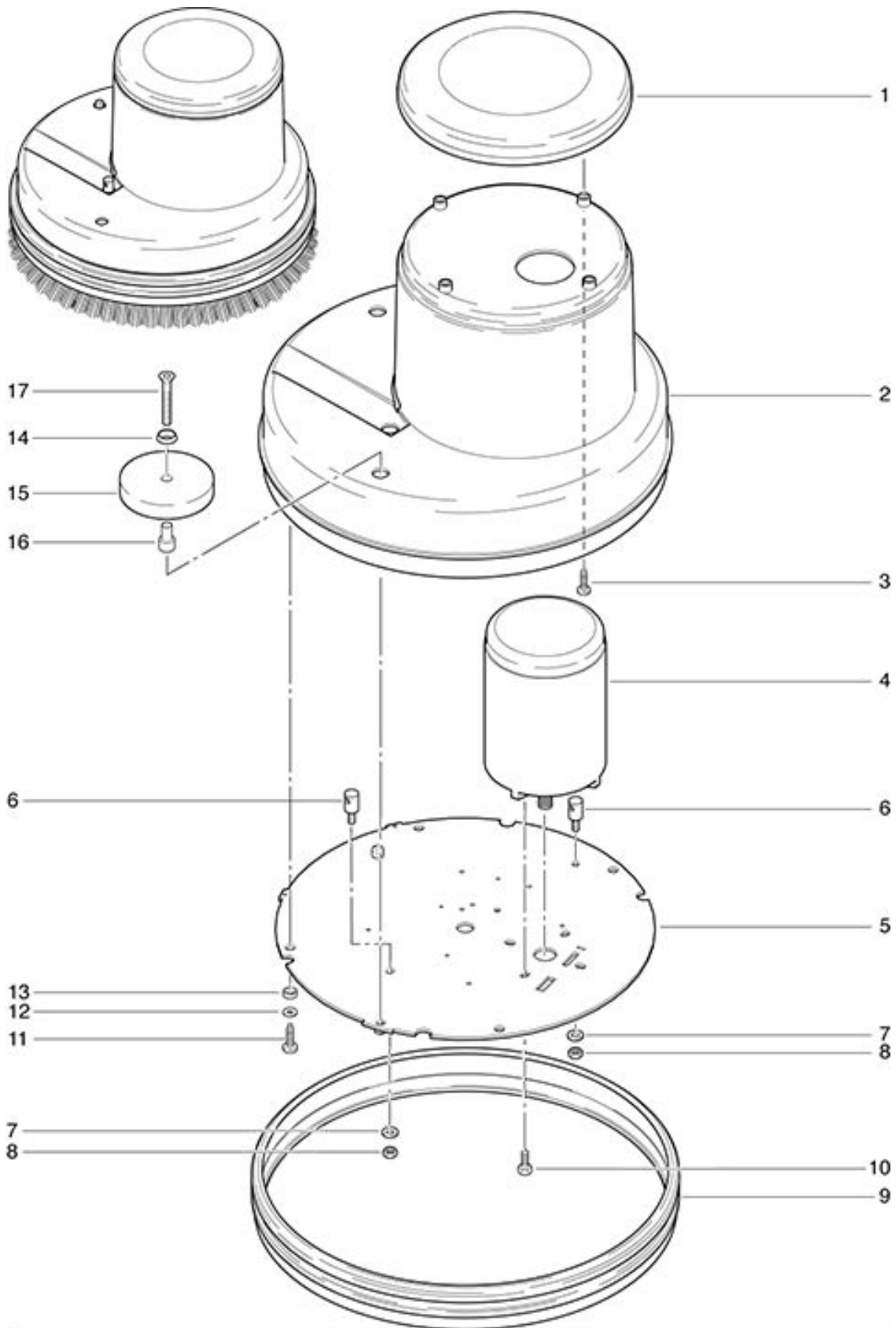
Magnetic valve and Filter assembling

As at: 03/20/17 Time:14:51

| Pos. | Description | Reference |
|-------------|----------------------------|------------------|
| 01 | Girder sheet metal | 432.052 |
| 02 | Washer M 6 | P...496 L |
| 03 | Cylindrical screw M 6x12 | P...486 Q |
| 04 | Filter | 430.759 |
| 04a | Filter cover | 430.258 |
| 04b | Filter kit | 430.759 A |
| 04c | Filter | 430.759 B |
| 05 | Hose 390 mm | 432.151 |
| 06 | Magnetic valve 230 V | P...257 |
| 07 | Cable for magnetic valve | 432.710 |
| 08 | Hose 225 mm | 432.152 |
| 09 | Valve support plate | 501.233 |
| 10 | Filister-head screw M 5x10 | P...481 Z |
| 11 | Hose 225 mm | 432.152 |
| 12 | Hose clip Ø 19.8 mm | P...550 N |
| 13 | Straight nipple | P...519 B |
| 14 | Straight | 432.087 |
| 15 | Valve compl. | 432.085 |
| 16 | Disk to ball valve | 432.092 |
| 17 | Spring ring M 5 | P...498 D |
| 18 | O-ring 15.88x2.62 mm | P...960 O |

RA 501 E
Motor

As at: 03/20/17 Time:14:52



RA 501 E

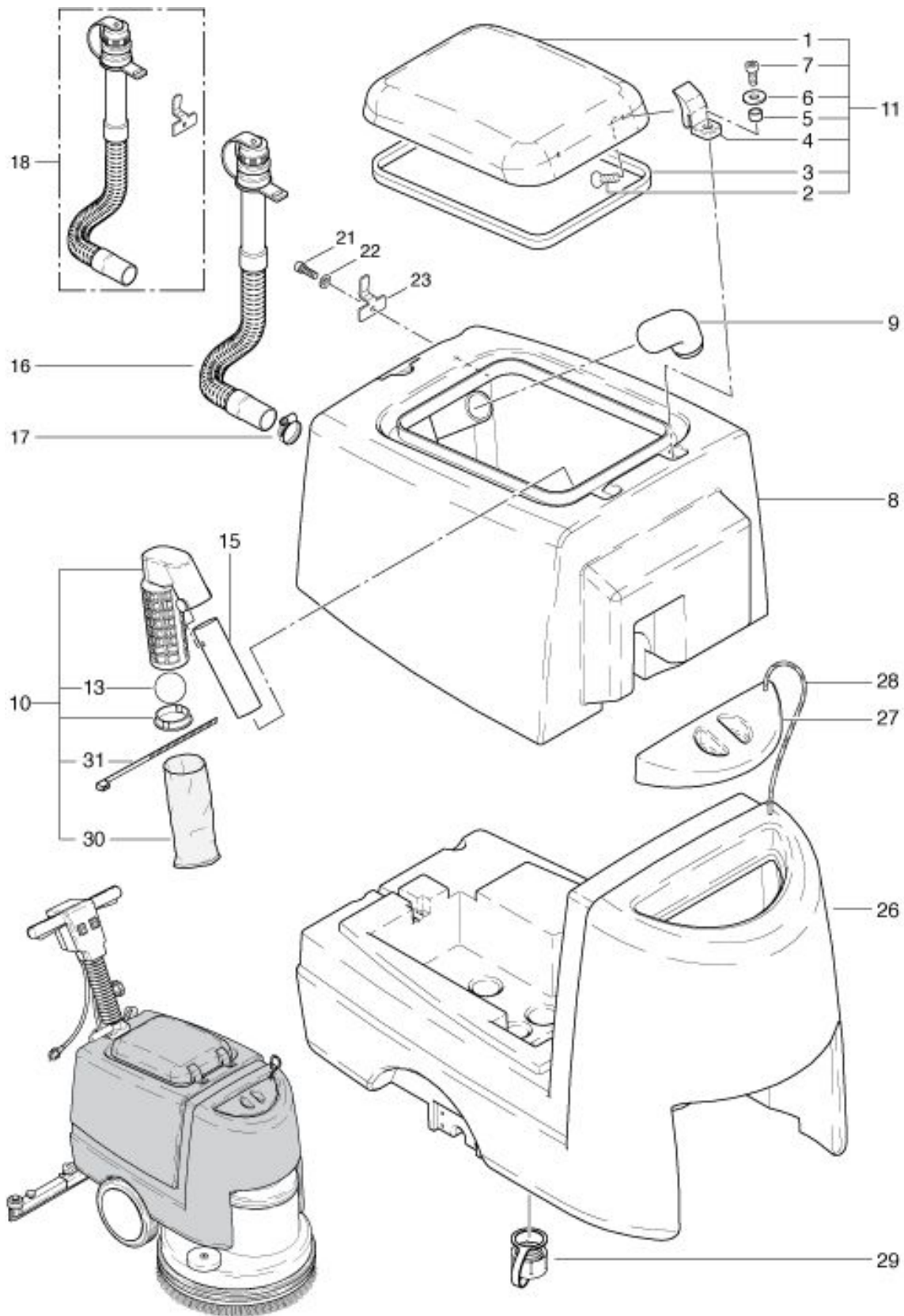
Motor

As at: 03/20/17 Time:14:52

| Pos. | Description | Reference |
|-------------|----------------------------|------------------|
| 01 | Cover | 748.067 O |
| 02 | Cover | 501.513 |
| 03 | PT-screw KA 50x25 | P...515 L |
| 04 | Motor 230V/50Hz | 726.121 |
| 05 | Drive disk | 501.502 |
| 06 | Hold bolt | 432.505 |
| 07 | Washer M 8x16 | P...496 P |
| 08 | Hexagon nut M 8 | P...492 H |
| 09 | Shock protection | 501.515 |
| 10 | Screw DIN 933 M 8x14 | P...471 S |
| 11 | PT-screw KA 50x10 | P...515 LA |
| 12 | Washer M 5 | P...496 G |
| 13 | Distance ring | 432.515 |
| 14 | Disk for countersunk screw | P...500 T |
| 15 | Fender wheel Ø 90 mm | 510.127 |
| 16 | Distance ring | 432.508 |
| 17 | Countersunk screw M 8x45 | P...479 P |

RA 501 E
Clean water tank and Waste water tank

As at: 03/20/17 Time:14:52



RA 501 E

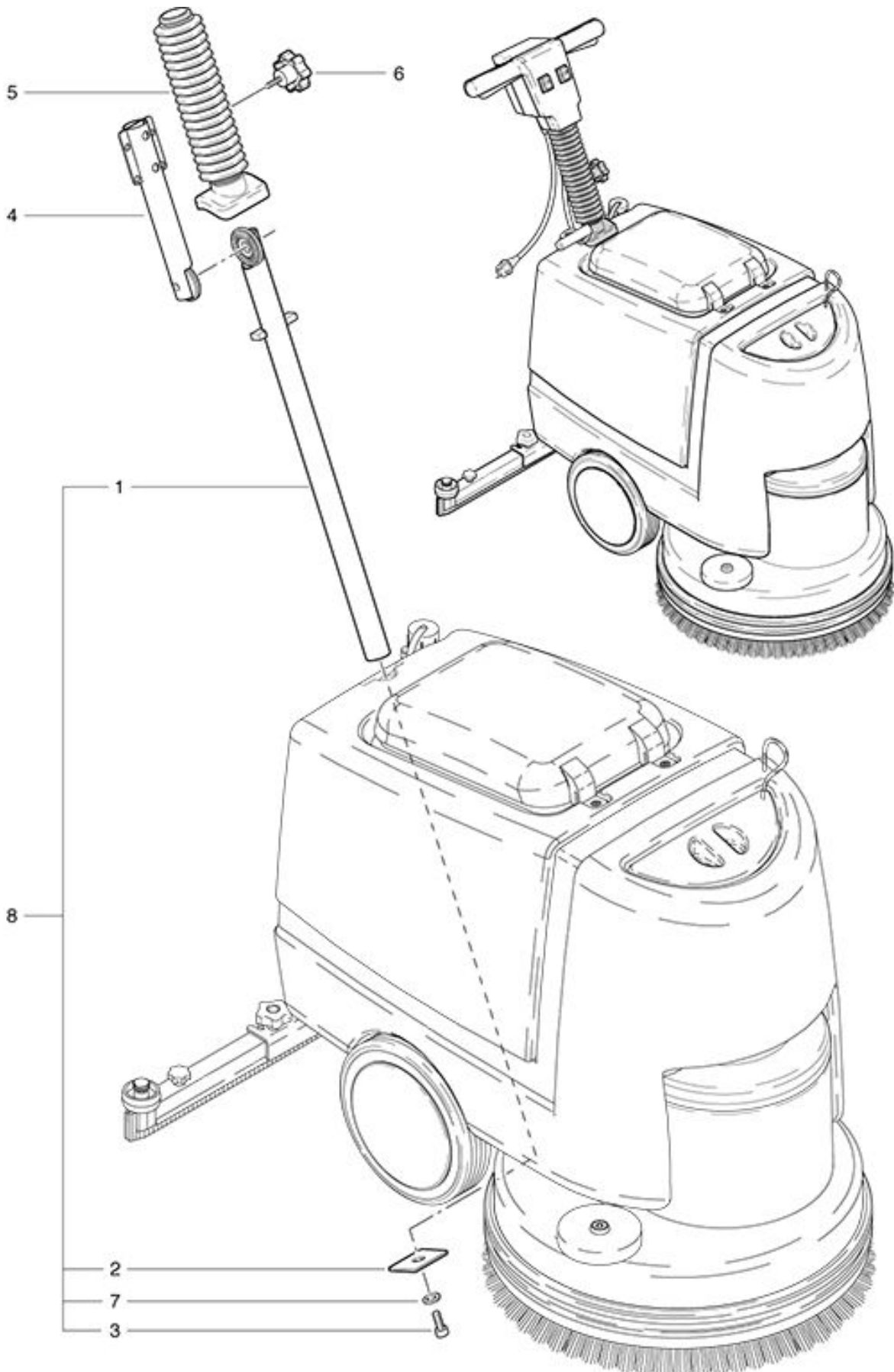
Clean water tank and Waste water tank

As at: 03/20/17 Time:14:52

| Pos. | Description | Reference |
|-------------|--|------------------|
| 01 | Cover | 710.120 |
| 02 | Contersunk screw M 4x8 | P...480 O |
| 03 | Seal for Cover | 710.121 |
| 04 | Frame-joint cover | 710.122 |
| 05 | Distance piece | 430.618 |
| 06 | Washer M 6 | P...497 K |
| 07 | Cylindrical screw M 5x12 | P...488 B |
| 08 | Waste water tank | 432.200 |
| 09 | Angled piece | 560.674 |
| 10 | Float basket kompl. | 432.300 |
| 11 | | 470.468 |
| 13 | Ball Ø 45mm | 432.304 |
| 15 | Suction tube to blower | 432.205 |
| 16 | Discharge hose cpl. 630mm | P...561 |
| 17 | Hose clamp | P...206 D |
| 18 | Discharge hose Set up to Masch. Nr. 9040.001 | 432.111 |
| 21 | Screw DIN 912 M 5x12 | P...488 B |
| 22 | Washer DIN 6798 M 5 5,1/9/0,5 A2 | P...498 D |
| 23 | Hose support | P...109 G |
| 26 | Clean water tank | 432.100 |
| 27 | Freshwater tank cover | 432.115 |
| 28 | Cord Ø 3x260 mm | 432.750 |
| 29 | Cover for expiration | 432.110 |
| 30 | Filter bag | 432.315 |
| 31 | Cable tie 2.4 mm x 203 mm | P...609 B |

RA 501 E
Lower angled tube

As at: 03/20/17 Time:14:52



RA 501 E

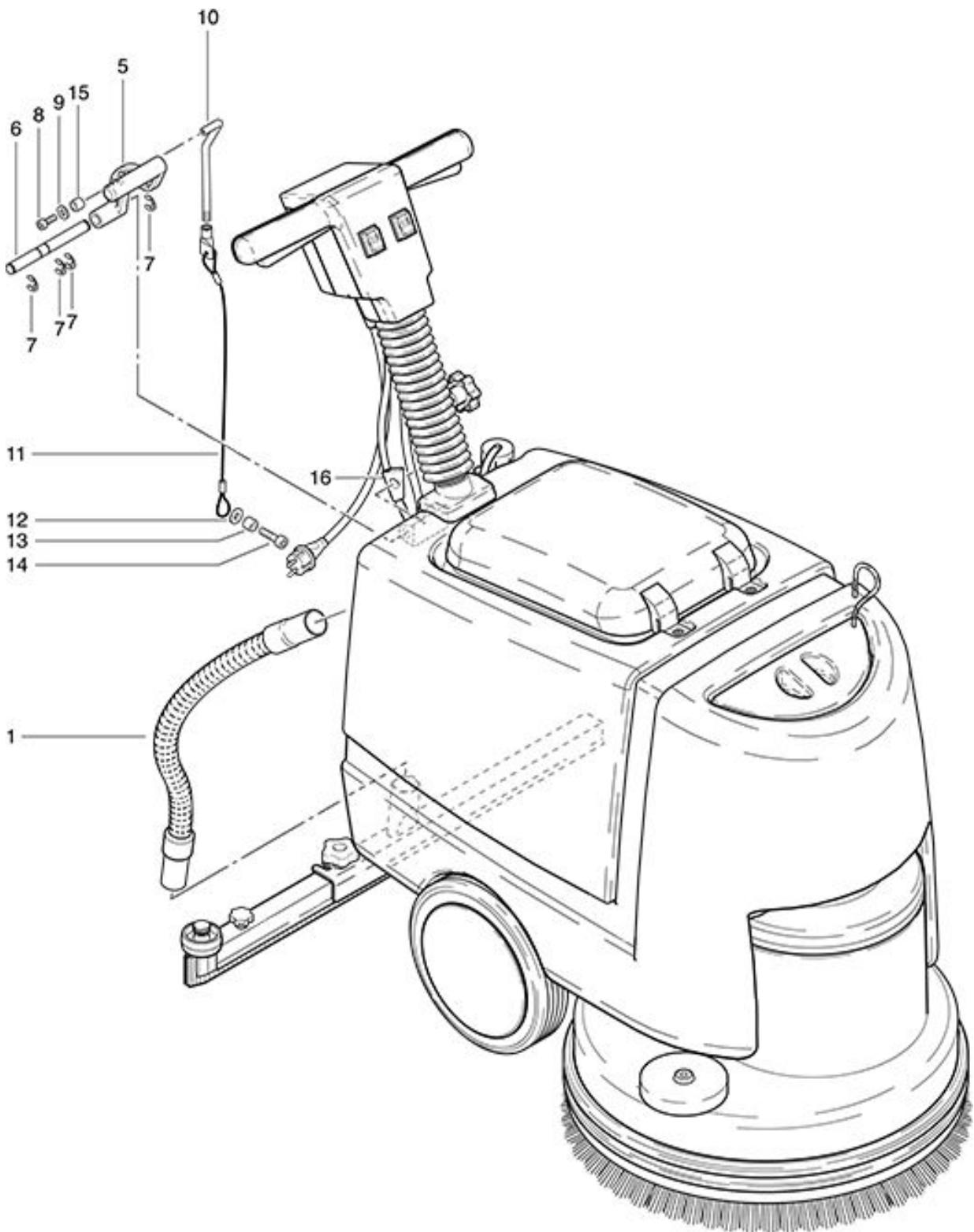
Lower angled tube

As at: 03/20/17 Time:14:52

| Pos. | Description | Reference |
|-------------|--|------------------|
| 01 | Lower angled tube | 432.255 |
| 02 | Disk | 432.340 |
| 03 | Cylindrical screw M 10x35 | P...487 HA |
| 04 | Upper handle tube compl. | 432.410 |
| 05 | Protection | 432.405 |
| 06 | Star handle Ø 62/M 8 | P...253 K |
| 07 | Serrated lock washer M 10 | P...498 F |
| 08 | Up to Masch.Nr. 8812-001 complete order: Pos.1,2,3 and 7 | - |

RA 501 E
Suction nozzle removal

As at: 03/20/17 Time:14:54



RA 501 E

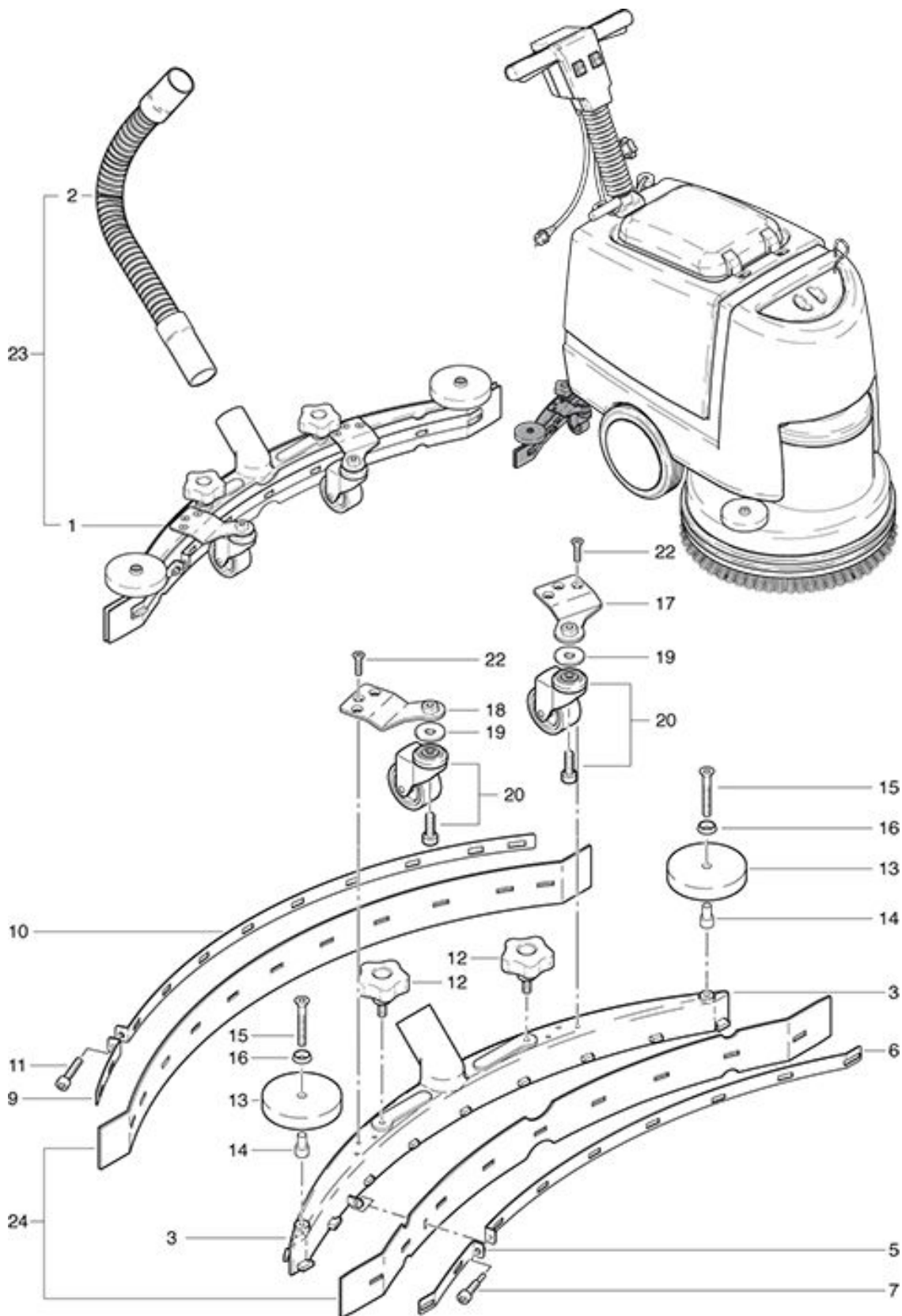
Suction nozzle removal

As at: 03/20/17 Time:14:54

| Pos. | Description | Reference |
|-------------|-----------------------------|------------------|
| 01 | Suction hose compl. | 470.831 |
| 05 | Lever to suction nozzle | 432.365 |
| 06 | Axle | 432.361 |
| 07 | Lock washer Ø 8 | P...499 Q |
| 08 | Fillister-head screw M 5x10 | P...481 Z |
| 09 | Washer M 5 | P...496 G |
| 10 | Lifting bar | 432.370 |
| 11 | String | 430.817 |
| 12 | Washer M 6 | P...496 K |
| 13 | Distance piece | 430.618 |
| 14 | Hexagon screw M 5x12 | P...472 F |
| 15 | Distance piece | P...509 J |
| 16 | Cable entry | 432.362 |

RA 501 E
Suction nozzle curved

As at: 03/20/17 Time:14:53



RA 501 E

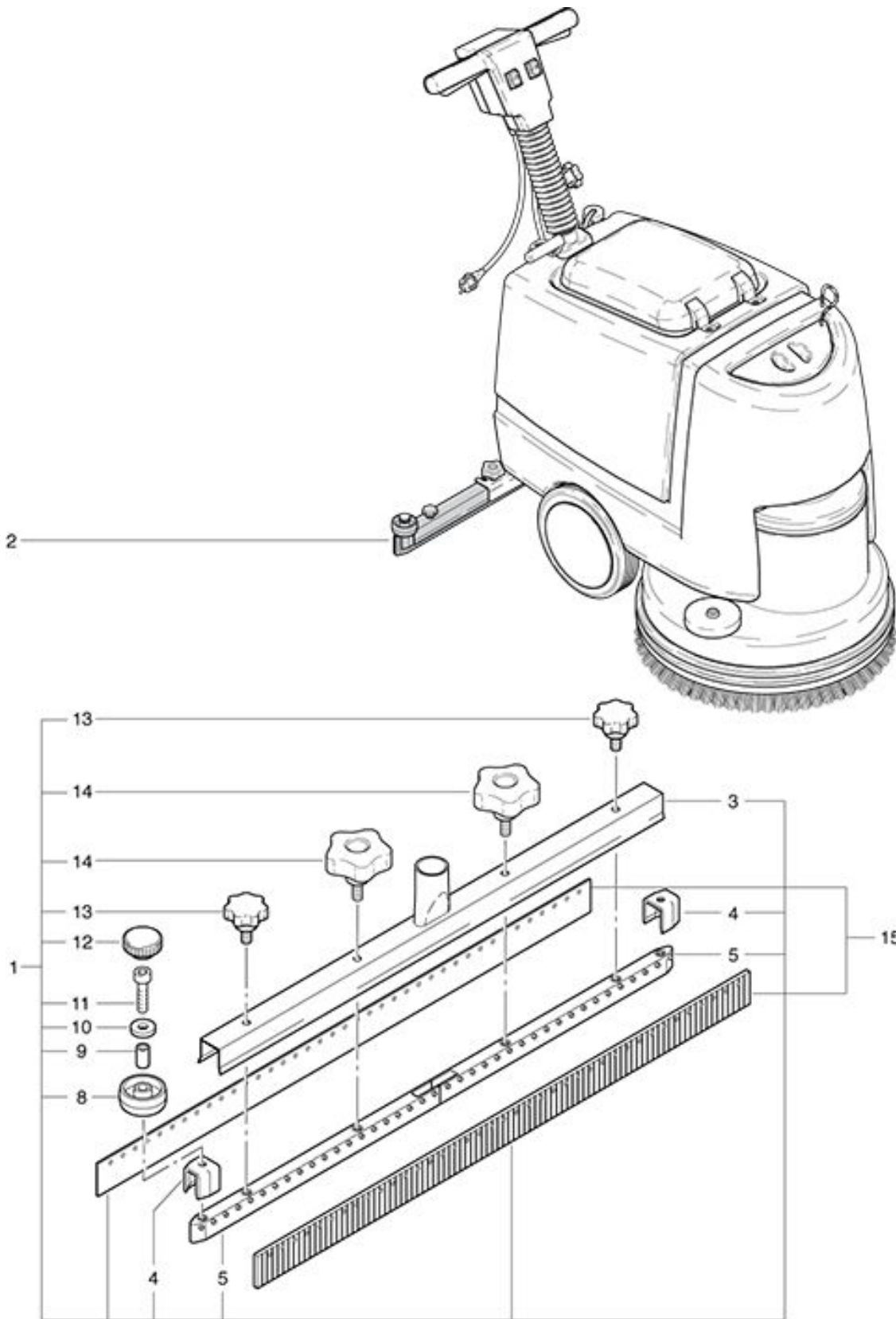
Suction nozzle curved

As at: 03/20/17 Time:14:53

| Pos. | Description | Reference |
|-------------|---|------------------|
| 01 | Suction nozzle curved compl. including items 3-22 | 432.550 |
| 02 | Suction hose compl. | 432.832 |
| 03 | Suction nozzle body | 432.555 |
| 05 | Support plate small, in front | 432.561 |
| 06 | Support plate in front | 432.563 |
| 07 | Adjusting screw | 800.425 |
| 09 | Support plate small in the back | 432.564 |
| 10 | Support plate in the back | 432.562 |
| 11 | Cylindrical screw M 6x25 | P...488 Q |
| 12 | Star handle Ø 62 mm M 8x18 mm | P...253 M |
| 13 | Fender wheel Ø 90 mm | 510.127 |
| 14 | Distance ring | 432.508 |
| 15 | Countersunk screw M 8x45 | P...479 P |
| 16 | Spacer M 8 | P...500 T |
| 17 | Role owner left | 432.553 |
| 18 | Role owner on the right | 432.554 |
| 19 | Carrosserie disk Ø 8.4x30/1.5 | P...500 N |
| 20 | Castor compl. | P...209 B |
| 22 | screw DIN 7991 M6 x 14 | P479N |
| 23 | Suction nozzle curved stock from pos. 1+2 | 432.030 |
| 24 | Rubber blade standard | 432.557 |
| 24 | Rubber blade oil resistant | 432.551 |

RA 501 E
Suction nozzle even

As at: 03/20/17 Time:14:53



RA 501 E

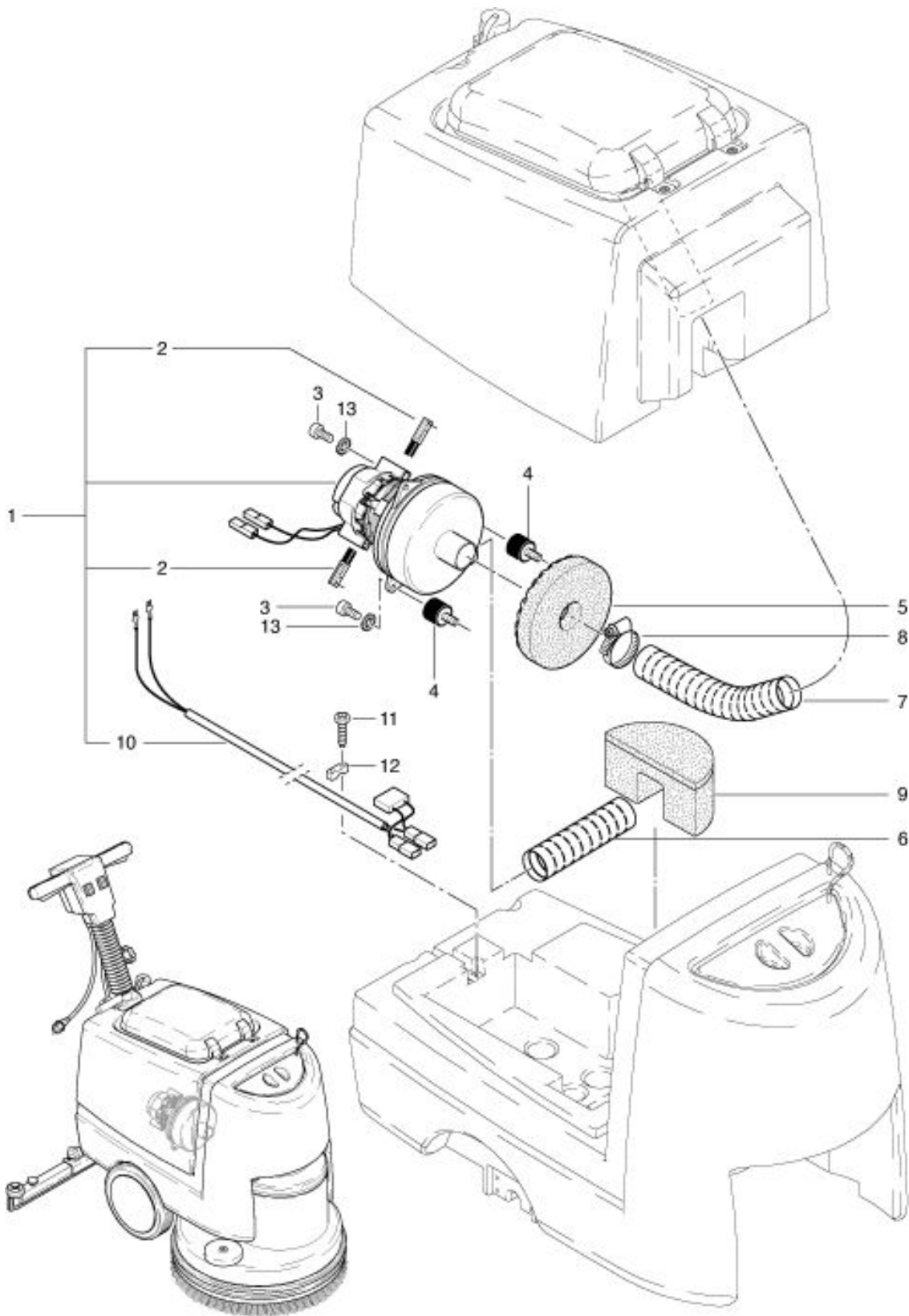
Suction nozzle even

As at: 03/20/17 Time:14:53

| Pos. | Description | Reference |
|-------------|---|------------------|
| 01 | Suction nozzle 80 cm, compl. oil and fatsteadily including items 3-14 | 510.651 |
| 02 | Suction nozzle even 80 cm compl. including items 3-15 | 501.025 |
| 03 | Clamping guide | 430.602 |
| 04 | Nozzle end piece | 530.606 |
| 05 | Nozzle insert | 530.601 |
| 08 | Fender wheel Ø 50 mm | 450.364 F |
| 09 | Distance piece 6/8x27.5 mm | 530.609 |
| 10 | Washer 6/16x1 mm | P...497 M |
| 11 | Cylindrical screw M 6x35 | P...486 U |
| 12 | Screw knob M 6x20 | P...494 X |
| 13 | Star handle M 8x15 | 530.607 |
| 14 | Star handle Ø 62 M 8x18 mm | P...253 M |
| 15 | Suction lips set, standard | 530.080 |
| 15 | Suction lips set, oil and fatsteadily | 560.080 |

RA 501 E
Vacuum motor assembling

As at: 03/20/17 Time:14:54



RA 501 E

Vacuum motor assembling

As at: 03/20/17 Time:14:54

| Pos. | Description | Reference |
|-------------|--|------------------|
| 01 | Vacuum motor compl. - from Machine No. 9422.001 including item 10 | P...881 |
| 01 | Vacuum motor compl. - up Machine No. 9341.026 item 10 must be purchased separately | P...881 |
| 02 | Pair of carbon brushes OEP | P...870 KB |
| 03 | Cylindrical screw M 6x12 | P...486 Q |
| 04 | Round buffer M 6 | 500.499 |
| 05 | Noise absorber | 432.349 |
| 06 | Exhaust air hose suction blower compl. | 432.351 |
| 07 | Suction hose size NW 38x280 | 432.352 |
| 08 | Hose clamp | P...206 D |
| 09 | Muffler blower compl. | 432.353 |
| 10 | Cable tree for suction motor, including suppression capacitor | 432.319 C |
| 11 | Fillister-head screw M 5x16 | P...476 E |
| 12 | Cable clamp | 4611085 |
| 13 | Washer M 6 | P...499 D |