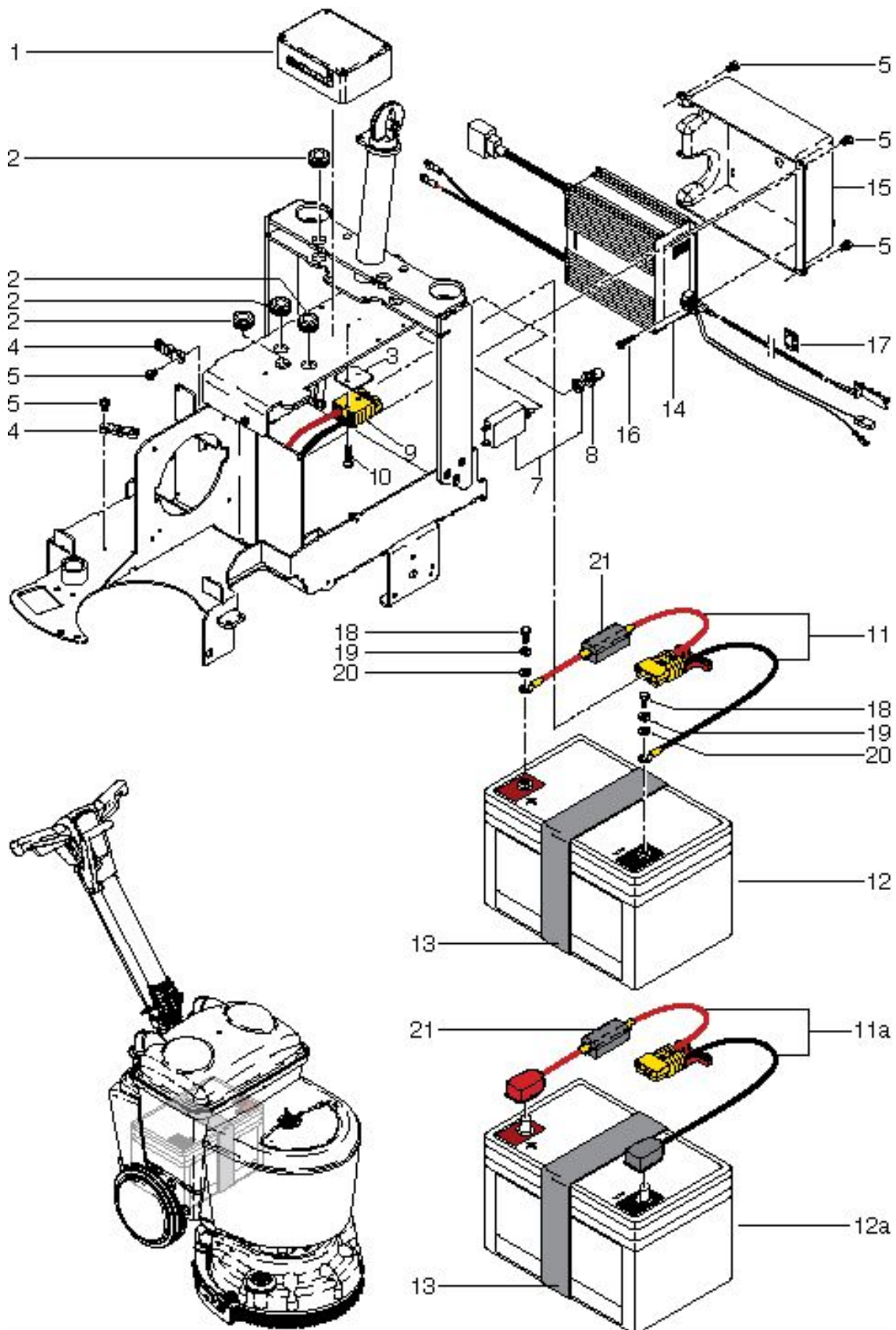


**RA 395 IBC**  
**Battery - Electronics**

As at: 03/20/17 Time:13:57



# RA 395 IBC

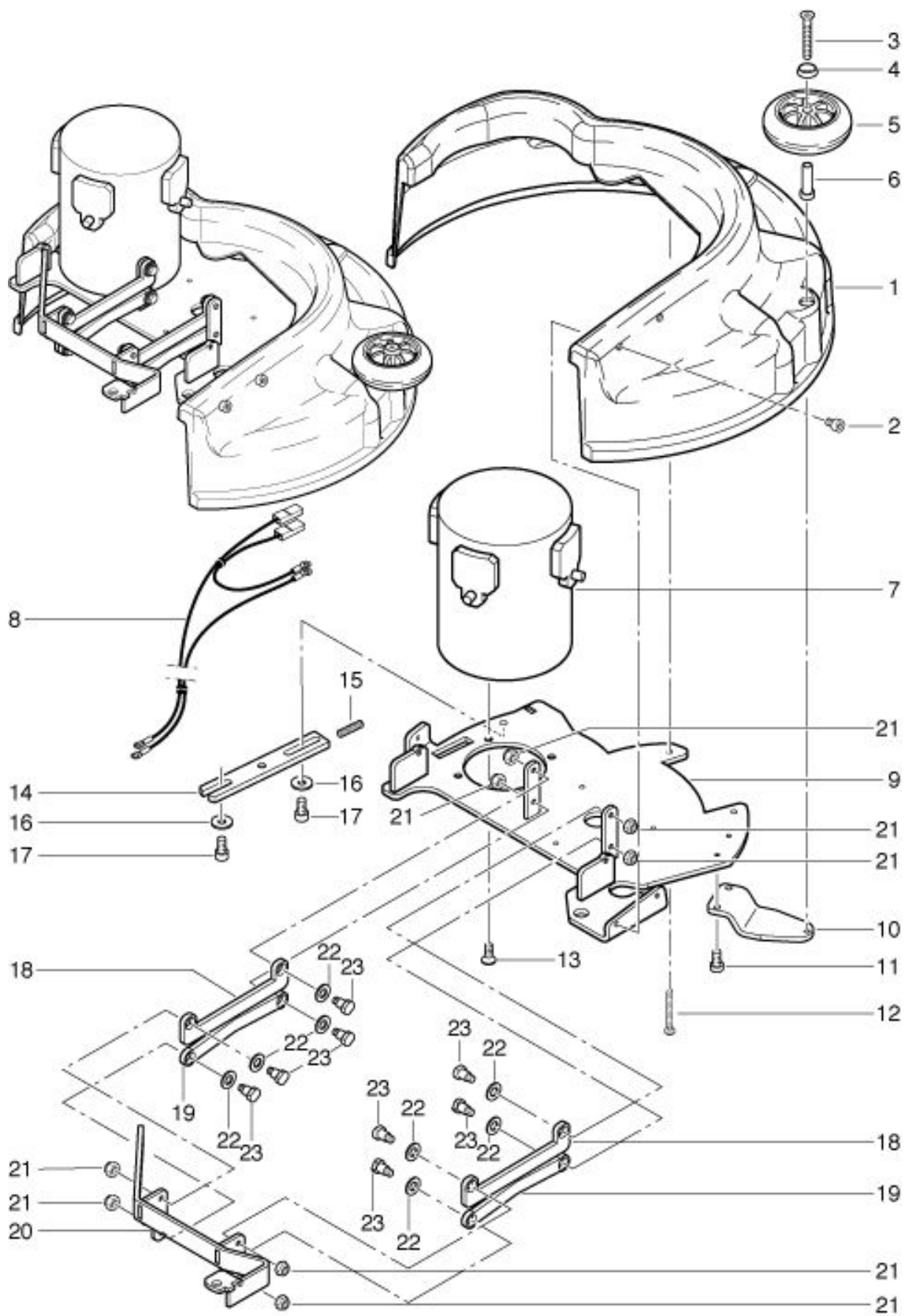
## Battery - Electronics

As at: 03/20/17 Time:13:57

<b>Pos.</b>	<b>Description</b>	<b>Reference</b>
01	Including housing cover machined black	395.371
02	cable grommet Typ DA	P 409 B
03	reinforcement plate	395.268
04	Cable clamp	742.321
05	Screw DIN 912 M 5x8 A2	P 488 E
06	Cable clamp	4611085
07	Thermal relay 30A	500.959
08	Couvercle de protection	500.957A
09	Wiring harness Electrobox	395.903
10	Screw DIN 912 M 3x18	P 477 C
11	Wiring harness battery Pol M 6 from Masch.Nr. 9627.017	395.902
11a	Wiring harness battery Pol high to Masch.Nr. 9627.016	395.902a
12	Battery 12V 55AH Pol M 6 from Masch.Nr. 9627.017	395.091
12a	Battery no longer available, it must Pos.12 and Pos to buy 11th	
13	Red handle	320.089
14	Battery charger compl.	395.905
15	charger cover	395.428
16	Screw DIN 7981 C 3,5x9,5	P 484 N
17	Cable support	P 360
18	Hexagon screw M 6x12	P 470 R
19	Spring ring M 6	P 498 U
20	Washer M 6	P 496 K
21	Strip fuse 60A	395.372

**RA 395 IBC**  
**Brush head**

As at: 03/20/17 Time:13:58



# RA 395 IBC

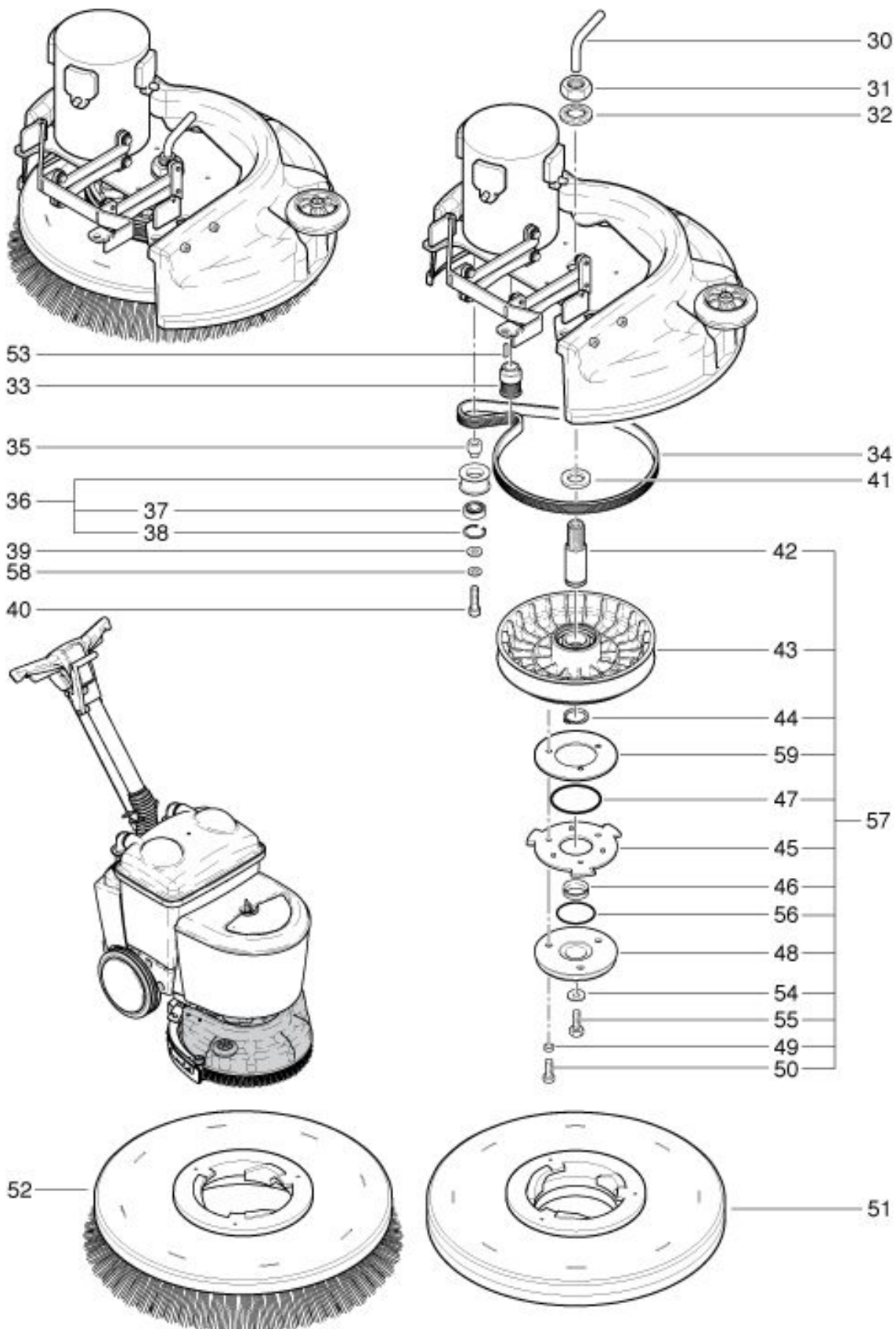
## Brush head

As at: 03/20/17 Time:13:58

<b>Pos.</b>	<b>Description</b>	<b>Reference</b>
01	Brush head cover	395.516
02	Screw DIN 912 M 5x8 A2	P 488 E
03	Screw DIN 965 M 6x45	P 480 J
04	Washer SN 213912 M6 18/4,8	P 500 Q
05	Role Ø 75	555.510
06	Shell	395.436
07	Brushmotor	395.507
08	Cable Set brush motor - motor circuit breaker	395.901
09	\r\n	395.509
10		P...488 E
11	Screw DIN DIN 912 M 5x12 A2	P 488 B
12	Screw WN 1412 KA 40x35	P 517 A
13	Screw DIN 7991 M 6x16	P 487 W
14	tensioning rail	395.510
15	Stift DIN 913 M 6x30	P 513 J
16	Washer WN KA 60x35	P 516 L
17	Screw DIN 912 M 6x16	P 486 R
18	strut up	395.513
19	strut below	395.512
20		395.514
21	Locknut M 6	P 492 K
22	Washer DIN 125-A M8 8,4/16/1,6	P 496 P
23	Screw M 6	395.520

**RA 395 IBC**  
**Brush head-a**

As at: 03/20/17 Time:13:58



# RA 395 IBC

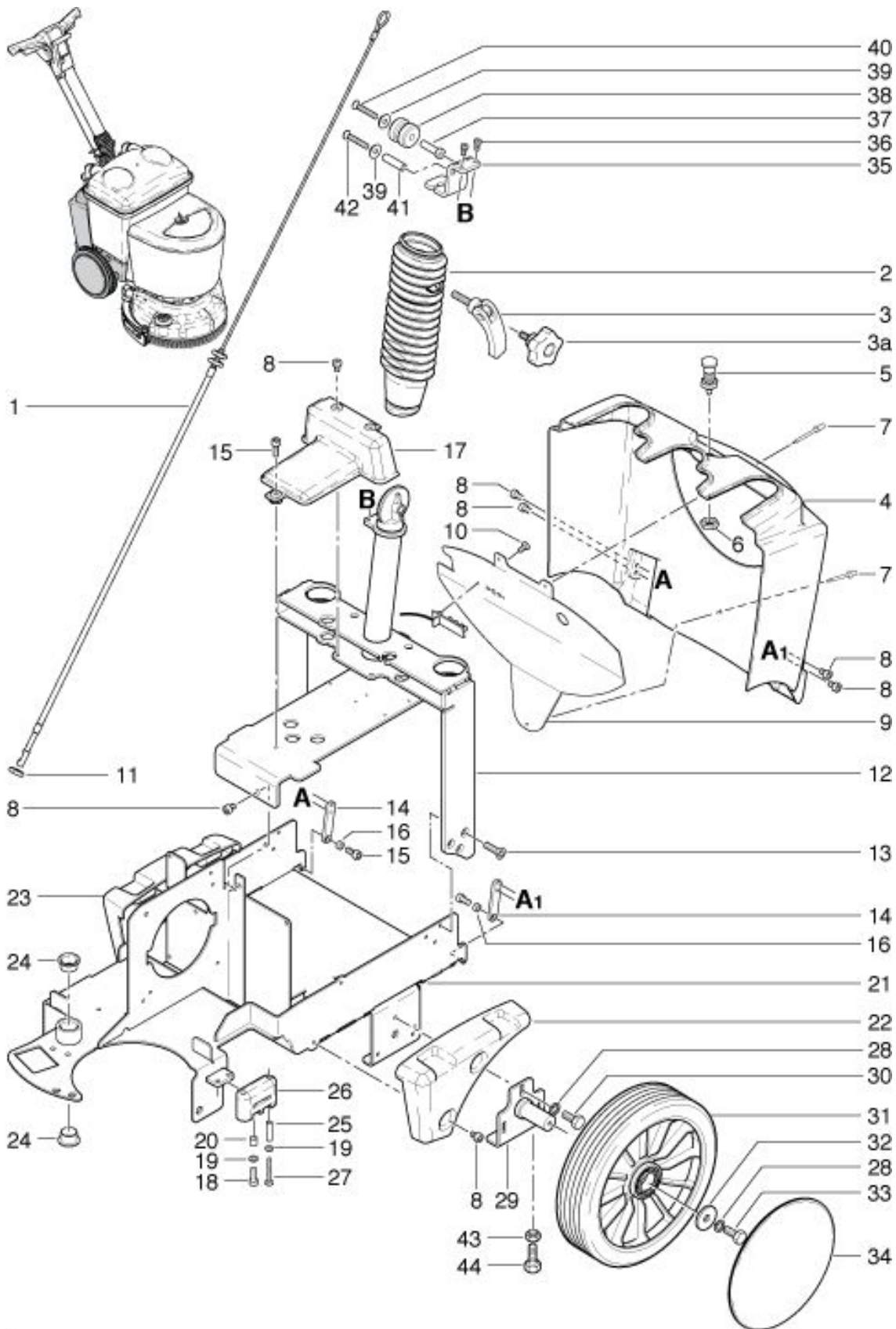
## Brush head-a

As at: 03/20/17 Time:13:58

<b>Pos.</b>	<b>Description</b>	<b>Reference</b>
30	Distribution tube	395.518
31	Hexagon nut M 20x1,5	P 492 R
32	Washer NFE 25511 M 20 / 20,5x40/4,9	P 498 Q
33	Drive pulle moteur	395.506
34	Rib tape 762 J 7	395.504
35	bearing bush	395.517
36	idler compl.	395.500
37	Ball bearing 6000 2RS	P 315 K
38	Ring DIN 472 26/1,2	P 499 GA
39	Washer DIN 125-A M8 8,4/16/1,6	P 496 P
40	Screw DIN 912 M 8x30	P 488 V
41	Can Ø 35/20,1x5	395.511
42	Main axle	395.508
43	Drive pulle	395.503
44	Security ring Ø 25	P 513 D
45	Star wheel	742.141
46	V-profile ring	P 343 A
47	O-ring 55,25x2.62 EPDM	P 964 A
48	Brush support	430.157
49	Distance ring 6/8x4 mm	742.129
50	Screw DIN 912 M 6x20 A2	P 487 S
51	Drive plate 15 \"	395.070
52	Scrubbing brush RA 395	395.059
53	Clafette DIN 6885 A 5/5/20	P 512 G
54	Washer DIN 9021 M 6 6,4/18/1,6	P 496 L
55	Screw DIN 933 M 6x20	P 470 X
56	O-ring 42,25x2.62 EPDM	P 964 B
57	Drive pulle compl. Pos. 42-50, 54,55+56	395.502
58	Washer DIN 6798 M 8 8,4 / 15 / 0,8	P 498 G
59	Distance ring 46x99/1	430.136

**RA 395 IBC**  
**Chassis and Wheel**

As at: 03/20/17 Time:14:00



# RA 395 IBC

## Chassis and Wheel

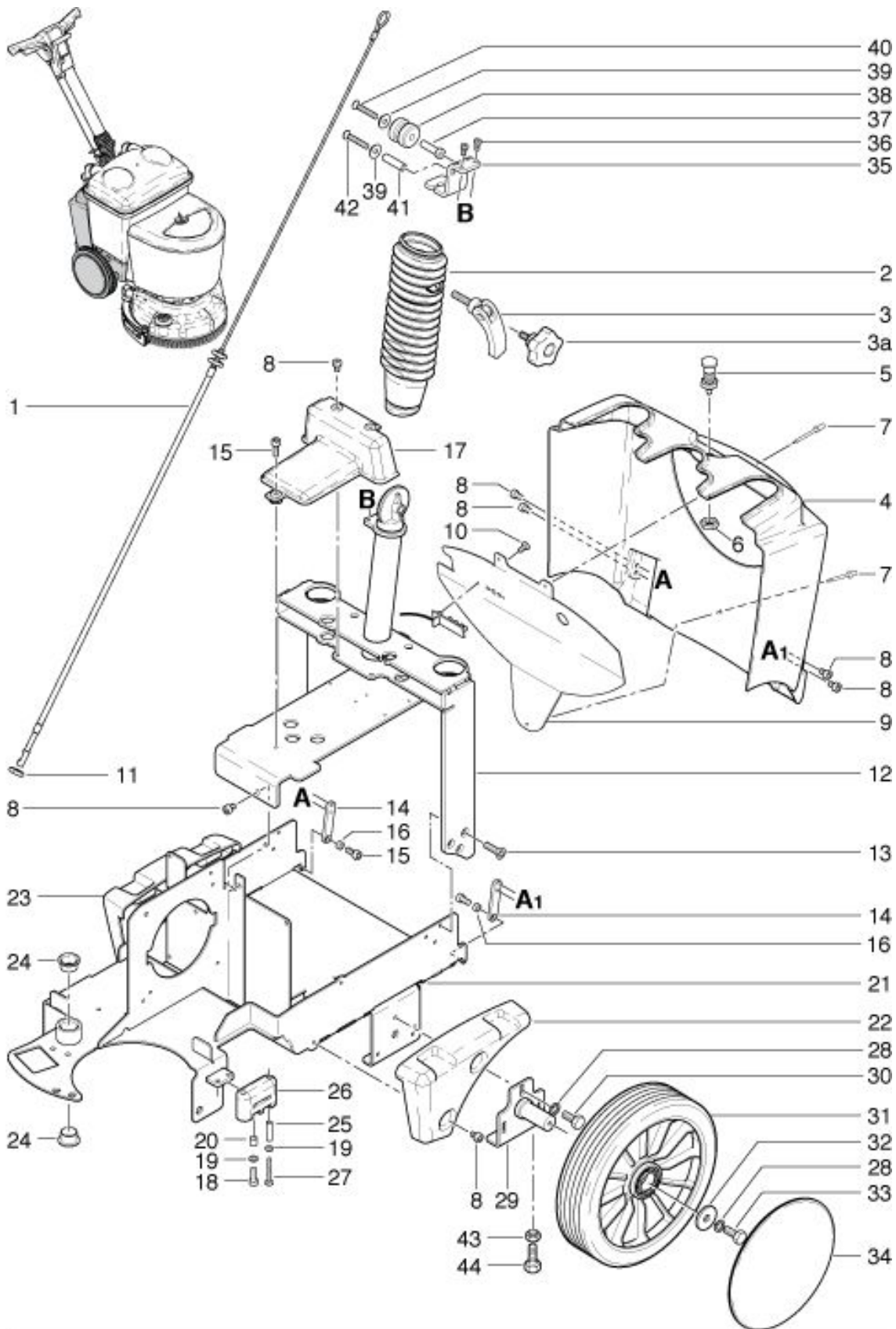
As at: 03/20/17 Time:14:00

<b>Pos.</b>	<b>Description</b>	<b>Reference</b>
01	Bowden wire nozzle lifting 930 mm	395.437
01	Bowden wire nozzle lifting 1010 mm to Masch. 9602.001	395.433
02	Protection	395.210
03	cocking handle	P 085 I
03a	Star handle Ø 62 M 8x30 mm	P 253 K
04	cover Charger	395.401
05	Latching bolt with locknut GN 313-6-A-1-ST	P 171
06	Hexagon DIN 439 M12	P 491 MB
07	Rivets 3 x 10 aluminium	P 485 J
08	Screw DIN 912 M5x8 A2	P 488 E
09	separation	395.407
10	Screw DIN 912 M3 x 5	P 488 L
11	Hexagon M 10 St-04vz	P 491 R
12	stick holders	395.211
13	Screw DIN 7991 M 5x12	P 480 U
14	lever	395.417
15	Screw DIN 912 M5x12 A2	P 488 B
16	Bush battery cover	395.418
17	Cover elec. box	395.426
18	Screw DIN 912 M5 x 16	P 486 I
19	Washer DIN 125-A M 5 5,3 / 10 / 1 A2	P 497 G
20	Bearing bush Ø 5/8x8,5	P 815 K
21	Chassis	395.400
22	Side protection left	395.412
23	Side protection right	395.411
24	Permaglide sleeve 18/20/12	P 321 I
25	Tank bearing bush long Ø 4 / 7x24,6	P 815 Q



**RA 395 IBC**  
**Chassis and Wheel-a**

As at: 03/20/17 Time:14:00



# RA 395 IBC

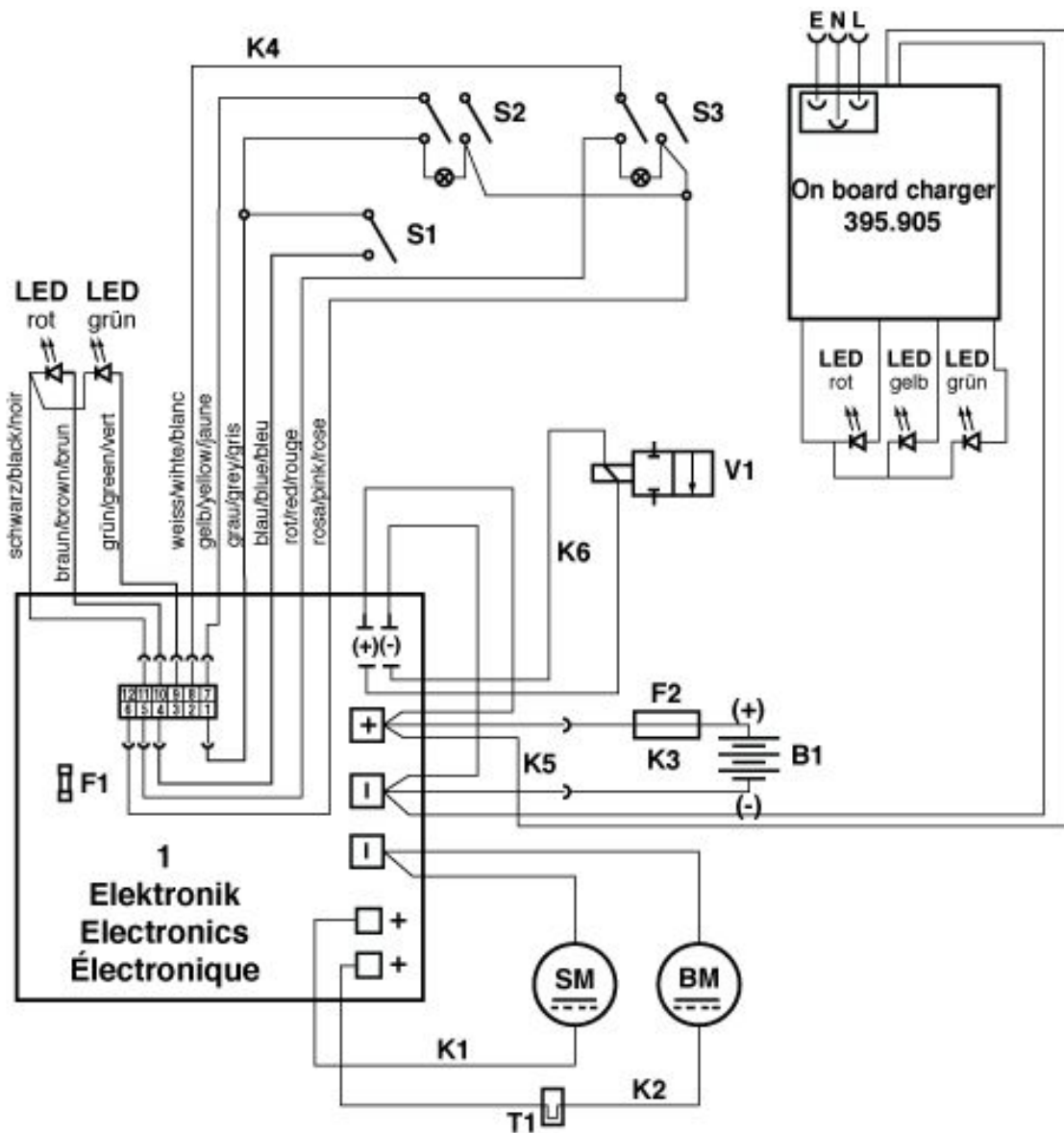
## Chassis and Wheel-a

As at: 03/20/17 Time:14:00

<b>Pos.</b>	<b>Description</b>	<b>Reference</b>
26		P 318
27	Screw KA 50x35	P 515 N
28	Ring DIN 127 B M 6 6,1 / 11, 8 / 1,6	P 498 U
29	Drive axis	432.061
30	Hexagon screw M 6x10	P 471 Z
31	Wheel complete	530.240
32	Washer Ø 6/25x1,8	P 497 Y
33	Screw DIN 933 M 6x12	P 470 R
34	Wheel cover	530.242
35	Cable holder	395.212
36	Screw DIN 7984 M5x10	P 487 YZ
37	Wheel holders	395.436
38	cable support	395.214
39	Washer SN 213912 M6 18/4,8	P 500 Q
40	Screw DIN 965 M 6x45	P 480 J
41	Axe Ø 9 x 33	395.213
42	Screw DIN 912 M 6x40	P 486 Y
43	Hexagon nut M 6	P 490 D
44	Hexagon screw M 6x20	P 470 X

**RA 395 IBC**  
**Wiring diagram**

As at: 03/20/17 Time:14:01



- S1 Schalter Bürstmotor / Brush motor switch / Interrupteur moteur de la brosse
- S2 Schalter Saugmotor / Suction motor switch / switch naturally aspirated
- S3 Schalter Ventil / Valve - Switch / switch - valve
- V 1 Ventil / Valve
- SM Saugmotor / Suction motor / Moteur d'aspiration
- BM Bürstmotor / Brush motor / moteur de Brosses
- F 1 Sicherung T1A / Fuse T1A / Fusible T1A
- F 2 Sicherung 60A für Batterie / Fuse 60A to battery / Fusible de 60A pour la batterie
- T 1 Thermoschalter 30A / Temperature switch 30A / Interrupteur thermique 30A
- B 1 Batterie 55 Ah / Battery 55 Ah
- K 1 Kabelbaum Saugmotor / Cable set naturally aspirated / Câble set moteur d'aspiration
- K 2 Kabelbaum Bürstmotor / Cable set brush motor / Câble set moteur de Brosses
- K 3 Batteriekabel / battery Cables / Câbles de batteries
- K 4 Kabelbaum Stossbügel / Cable set bumper bar / Câble set barre d'amortissement
- K 5 Kabelbaum Elektrobox / Cable set Electrical Box / Câble set Boîte électrique
- K 6 Kabel mit Stecker rechteckig / Cable with connector rectangular / Câble avec connecteur rectangulaire

# RA 395 IBC

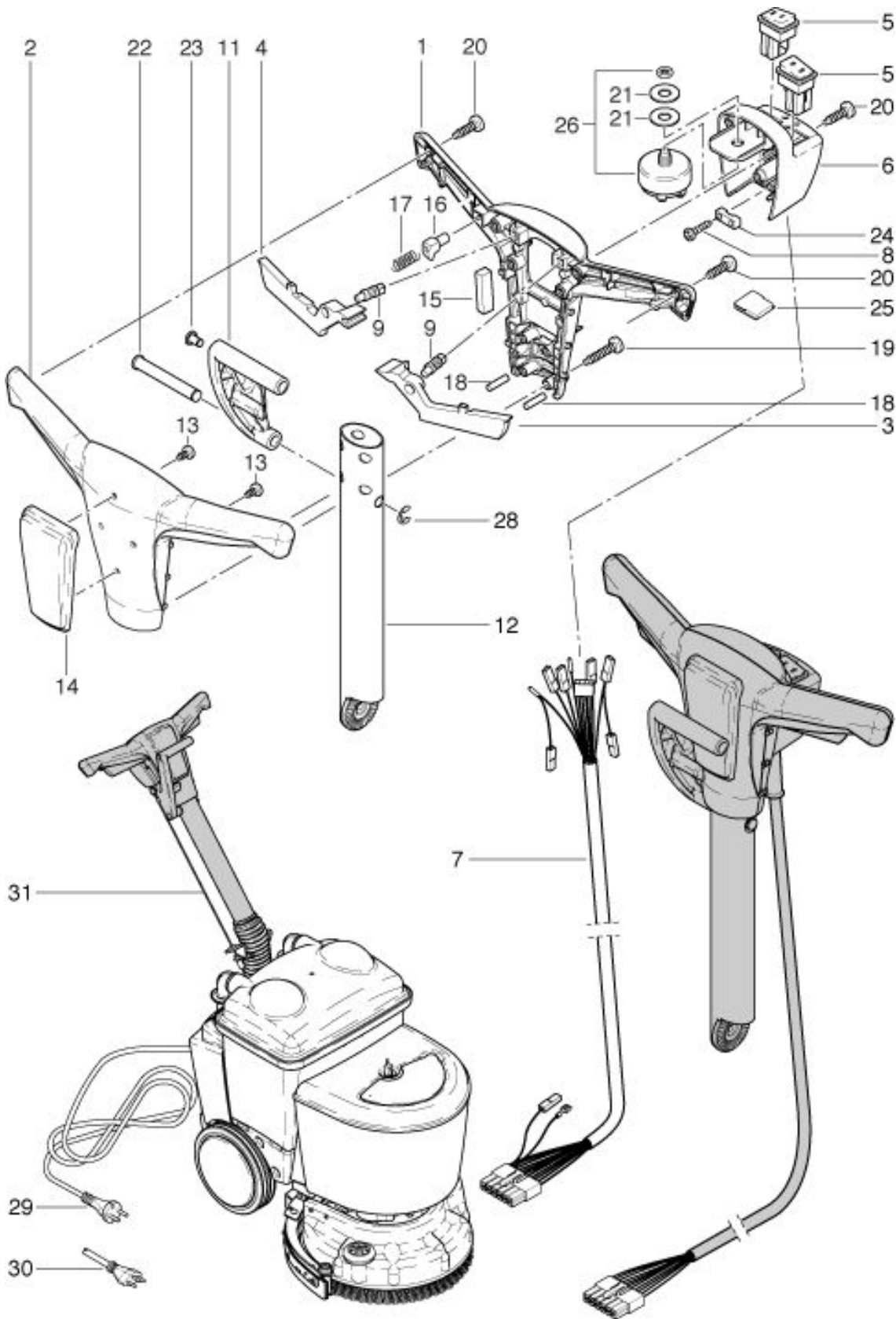
## Wiring diagram

As at: 03/20/17 Time:14:01

<b>Pos.</b>	<b>Description</b>	<b>Reference</b>
1	electronics	395.371
2	On board charger	395.905
B 1	Battery 55 Ah	395.091
BM	Brush motor	395.507
F 1	Fuse T1A	P 218 A
F 2	Fuse 60A to battery	395.372
K 1	Cable set naturally aspirated	395.904
K 2	Cable set brush motor	395.901
K 3	battery Cables	395.902
K 4	Cable set bumper bar	395.319
K 5	Cable set Electrical Box	395.903
K 6	Cable with connector rectangular	P 359 M
S 1	Brush motor switch	P 231
S 2	Suction motor switch	P 231
S 3	Valve - Switch	P 231
SM	Vacuum motor	P 882
T 1	Temperature switch 30A	500.959
V 1	Valve	395.600

**RA 395 IBC**  
**Handle housing**

As at: 03/20/17 Time:14:01



# RA 395 IBC

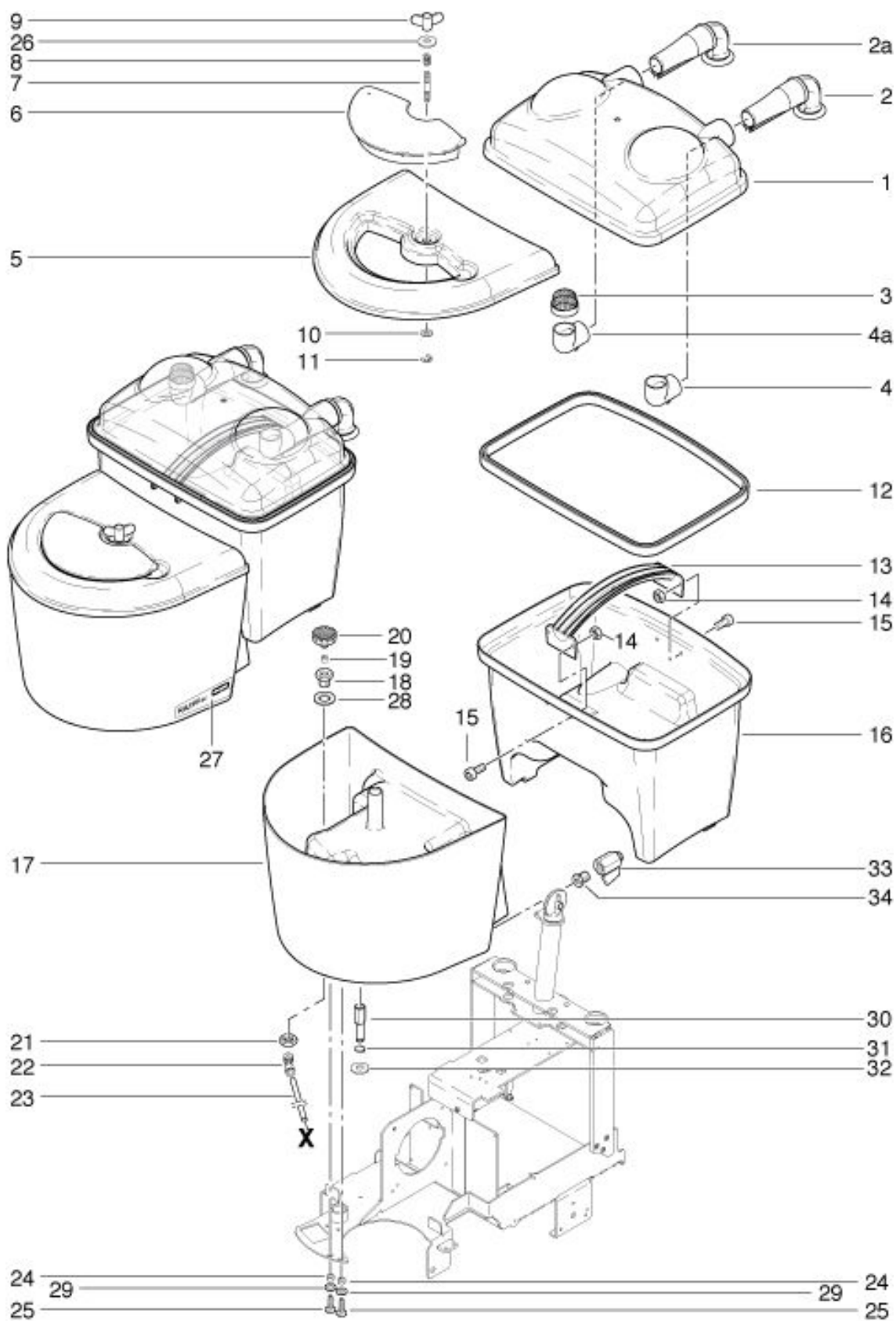
## Handle housing

As at: 03/20/17 Time:14:01

<b>Pos.</b>	<b>Description</b>	<b>Reference</b>
01	main cover	395.201
02	cover shell	395.202
03	Gear Lever left	249.204
04	Gear Lever right	749.203
05	Tumbler switch white	P 231
06	Electric lid anthracite Processed	438.454 O
07	Cable Set-handle housing-Elektronic	395.319
08	Screw WN 1452 K50x18	P 516 Q
09	Pin red	749.205
11	Lever suction nozzles lifting	438.456
12	Shock tube compl.	395.208
13	Screw BN 82428 KA 35 x 8	P 516 K
14	Screen red	395.205
15	Scenen	438.455
16	Locking bolt	749.208
17	Pressure spring	742.209
18	Straight pin ISO 2338 8 x 30	P 514 A
19	Screw WN 1412 KA 50 x 30	P 515 E
20	Screw WN 1412 KA 50 x 16	P 515 Z
21	Washer DIN 522 M12 13/30/1,6	P 496 A
22	lever axis	438.460
23	Bolt for rope	438.459
24	Cable clamp anthracite	4611085
25	closing lid	749.218
26	Switch 2-pole	6650454
28	Washer DIN 6799 9/18.8/1.1	P 499 N
29	Connection cable VDE 3x1,00 mm2, black	436.790
30	Connection cable SEV 3x1,00 mm2, black	436.791
31		395.437
31		395.433

**RA 395 IBC**  
**Clean water tank and Waste water tank**

As at: 03/20/17 Time:14:01



## RA 395 IBC

### Clean water tank and Waste water tank

As at: 03/20/17 Time:14:01

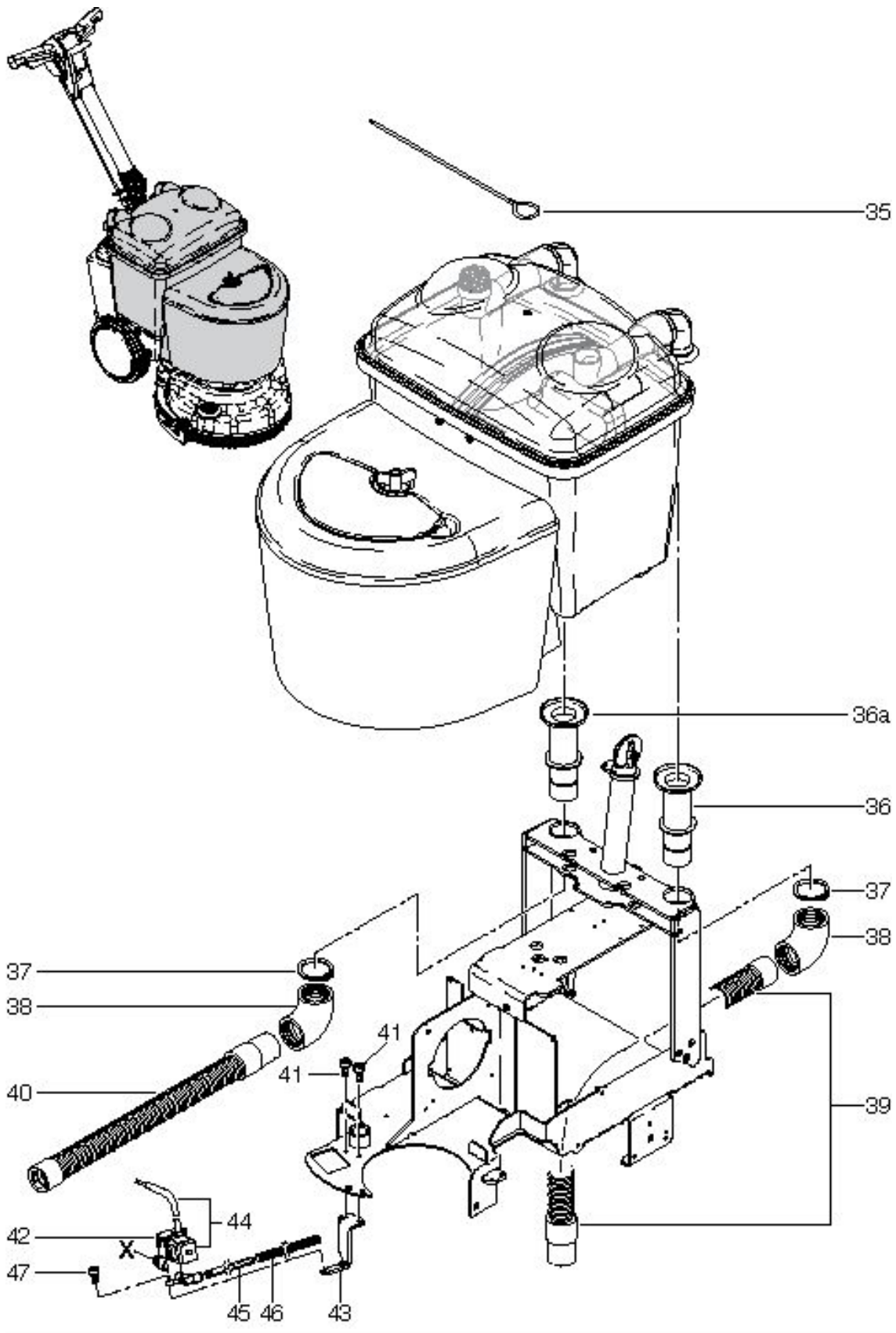
<b>Pos.</b>	<b>Description</b>	<b>Reference</b>
01	transparent cover	395.403
02	suction nozzle black	395.404
02a	suction nozzle red	395.404 A
03	Filter compl.stainless red	400.766 B
04	connecting piece nature	043.203
04a	connecting piecered	395.203 A
05	Cover	395.408
06		395.409
07		436.226
08	Pressure spring 30x10,8x0,8mm	436.228
09	Wing nut M 8	P 174
10	Washer DIN 125-A M8 8,4/16/1,6	P 496 P
11	Washer DIN 6799 6/12/0,7 A2	P 500 K
12		700.435
13		395.432
14	Hexagon DIN 985 M 5 A2	P 493 G
15	Screw DIN 912 M5 x 12 A2	P...488 B
16	Wastewater tank	395.402
17	Clean water tank	395.410
18		P 535 E
19		395.423
20		P 106
21	Hexagon Ms 3/8"	P 535 B
22		P 533 F
23	Hose Ø 5/8 x 70 mm	395.601
24		395.422
25	Screw WN 1411 KA40 x 16	P 516 G
26	Washer DIN 9021 M8 8,4/24/2 A2	P 497 T
27	SK-Etikette RA 395 IBC	395.906
28	Sealing washer 30/17 x 2 mm	P 097
29	WasherDIN 125-A M4 4,3/9/0,8	P...496 D
30		395.416
31	Ring DIN 471 10/1,0	P 513 C
32	Washer DIN 125 A M 10 10,5/20/2 PA 6.6	P 510 A
33		P 508 B
34	Hexagon G1/4" x 17,5	395.434



RA 395 IBC

Clean water tank and Waste water tank (Kopie)-a

As at: 03/20/17 Time:14:02



## RA 395 IBC

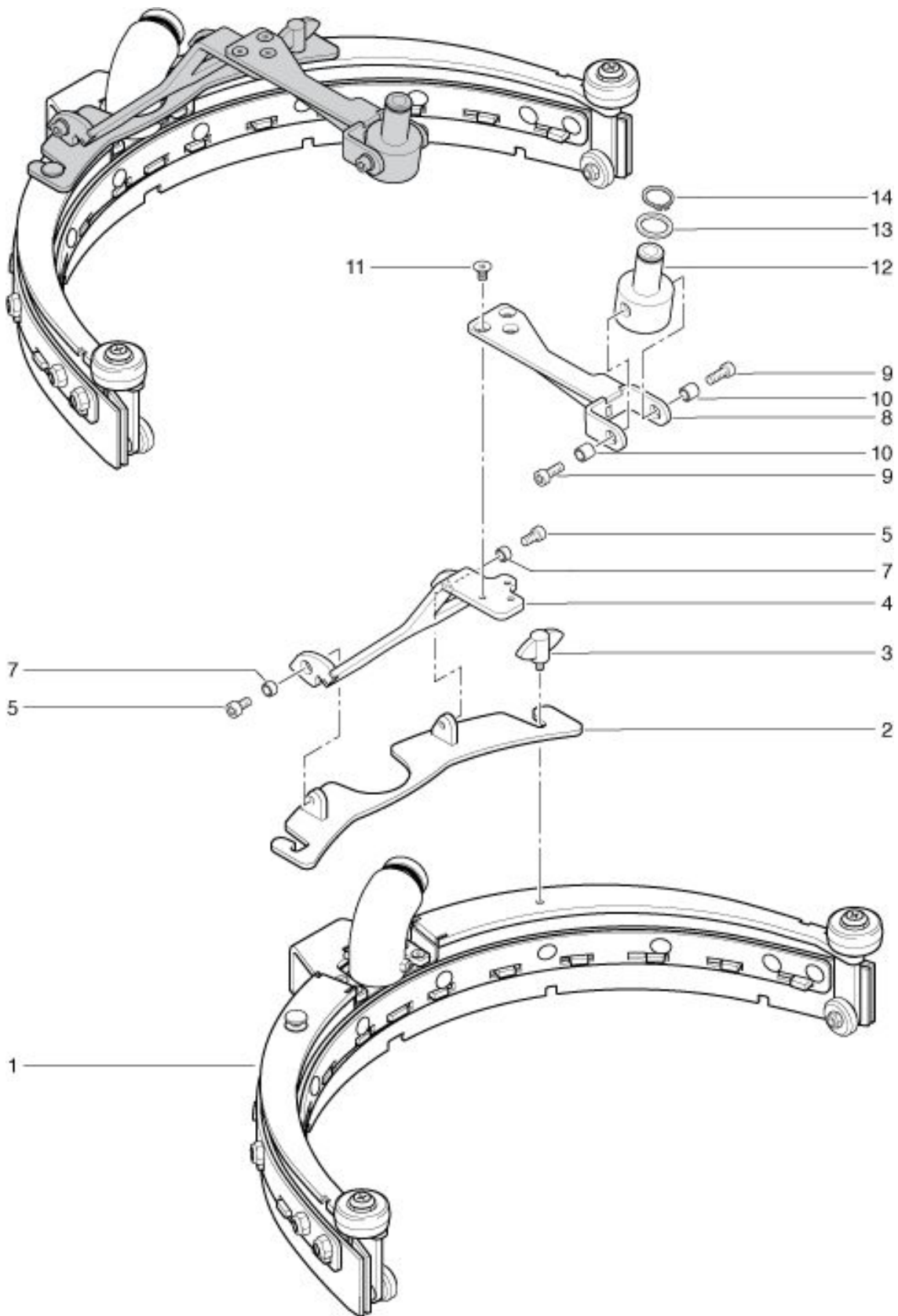
### Clean water tank and Waste water tank (Kopie)-a

As at: 03/20/17 Time:14:02

<b>Pos.</b>	<b>Description</b>	<b>Reference</b>
35		395.435
36		395.405
36a		395.405
37	Ring 40 x 1.75	P 513 ED
38		395.406
39		395.415
40		395.414
41	Screw DIN 912 M5x8 A	P 488 E
42		395.600
43		395.420
44	Magnetic valve 12V	P 265
45	Hose Ø 5/8x100 mm	395.602
46		900.162A
47	Screw DIN 912 M 4x12	P 486 A

**RA 395 IBC**  
**Suspension suction nozzle**

As at: 03/20/17 Time:14:02



# RA 395 IBC

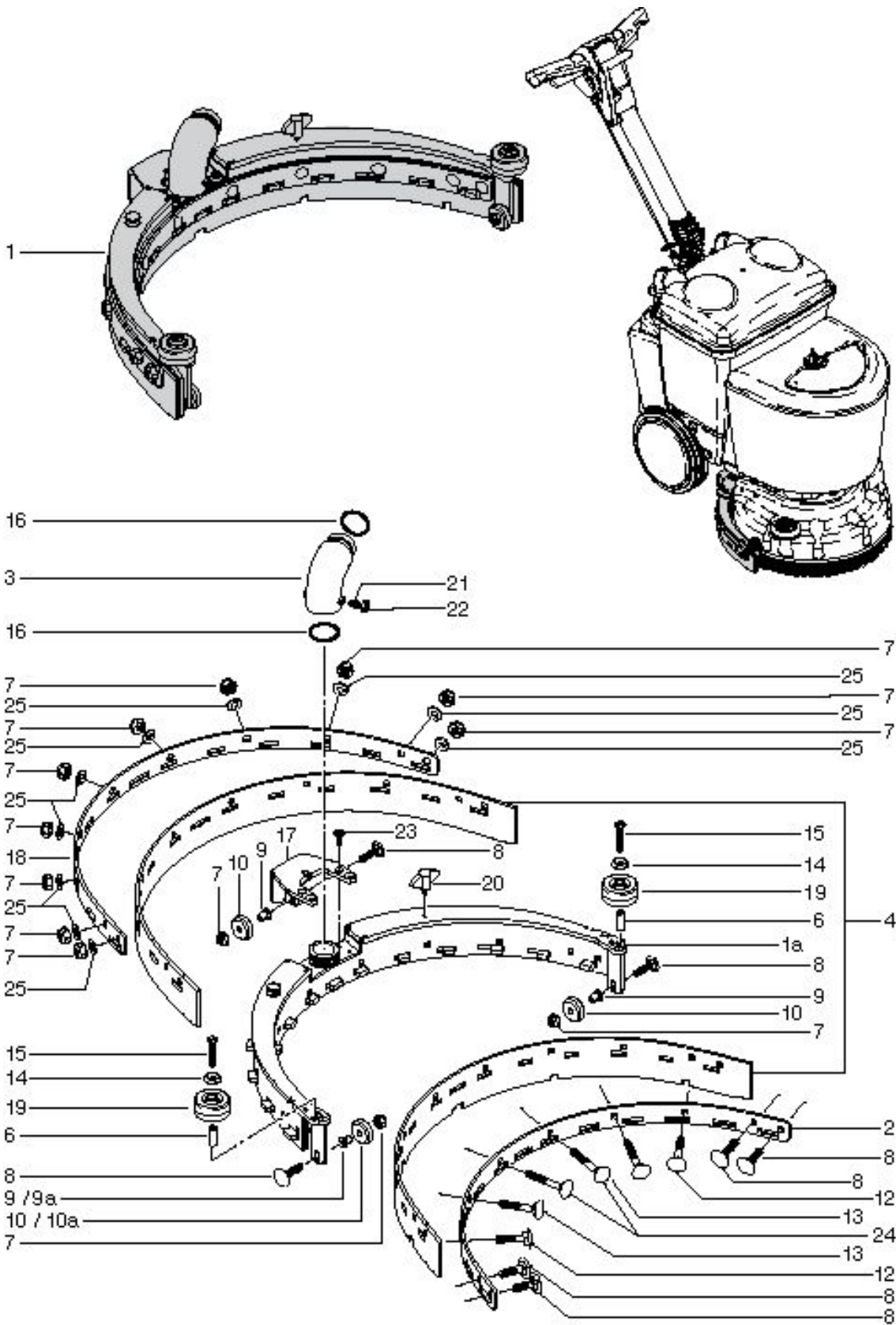
## Suspension suction nozzle

As at: 03/20/17 Time:14:02

<b>Pos.</b>	<b>Description</b>	<b>Reference</b>
01	Suction compl.	395.300
02	nozzle Support	395.430
03	Wing screw M 6x10 PA 6 black	P 253 R
04	suction nozzles holder	395.429
05	Screw DIN 912 M6 x 14	P 486 QA
07	Boîte	433.118
08	Lever	395.419
09	Screw DIN 912 M6 x 16	P 486 R
10	Can Ø 10/6,2 x 10	395.431
11	Screw DIN 7991 M 5x8	P 480 PB
12	bearing support	395.421
13	Ring BN 739 18/24/2	P 496 AF
14	Ring DIN 471 18 x 1.25	P 513 EE

**RA 395 IBC**  
**Suction nozzle**

As at: 03/20/17 Time:14:03



# RA 395 IBC

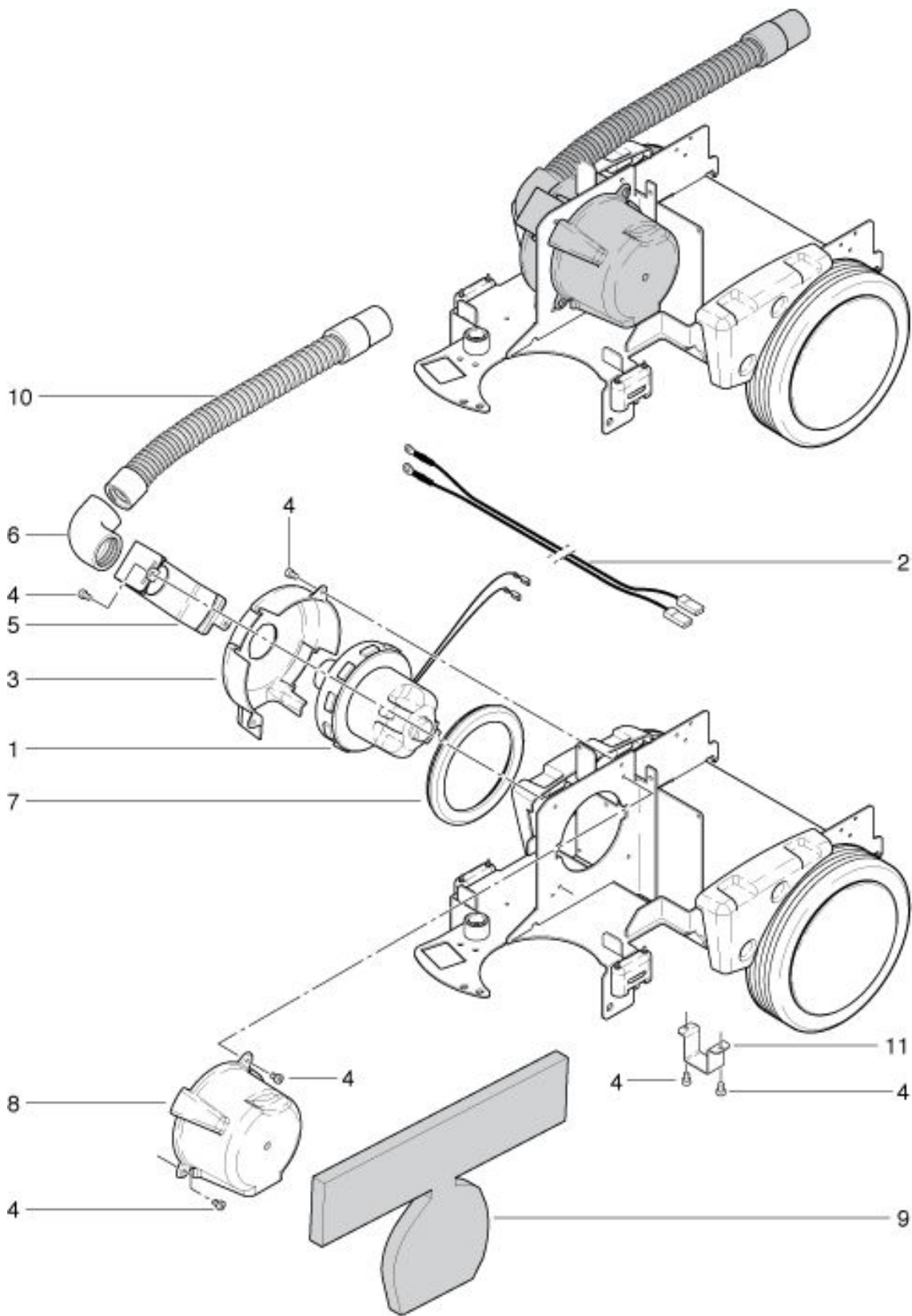
## Suction nozzle

As at: 03/20/17 Time:14:03

<b>Pos.</b>	<b>Description</b>	<b>Reference</b>
01	Suction compl.	395.300
01a	Holding rail front	395.301
02	Holding rail front	395.302
03		433.104
04	Rubber blade oil resistant	395.081
04	Rubber blade standard	395.082
06	Can Ø 8/6 x 22	433.110
07	Nut DIN 985 M5	P 492 G
08	Screw DIN 603 M5x20	P 481 GF
09	Can hard for role	433.109
09a	Can soft for role	433.109a
10	leadership role hard Buy with Pos.9 to	433.106
10a	leadership role soft Buy with Pos.9 to	395.439
12	Screw DIN 603 M5x30	P 481 GE
13	Screw DIN 603 M5x35	P 481 GI
14	Washer SN 213912 M6 18/4,8	P 500 Q
15	Screw DIN 965 M 6x35	P 479 S
16	O-Ring	P 964 C
17		395.306
18	Anchor bar rear	395.303
19	Mini nylon wheel Ø 40 mm	395.140
20	Wing screw M 6 black	P...253 R
21	Stift DIN 915 M4x12	P 483 A
22	Nut DIN 934 M4 A2	P...491 L
23	Screw DIN 7991 M4x12	P 480 KA
24	Screw DIN 603 M5x40	P...481 GD
25	WasherDIN 9021 M5 5.3 / 15 / 1.2	P 496 G

**RA 395 IBC**  
**Suction motor**

As at: 03/20/17 Time:14:04



# RA 395 IBC

## Suction motor

As at: 03/20/17 Time:14:04

<b>Pos.</b>	<b>Description</b>	<b>Reference</b>
01	Suction motor compl.	P 882
02	Wiring harness for suction motor	395.904
03	Cover to blower right	395.413
04	Screw DIN 912 M5x8 A2	P 488 E
05	Fan holder\r\nPVC socket 90 °	395.424
06	PVC socket 90 °	395.406
07	Turbine seal black	330.057
08	fan cover	395.427
09	sound insulation	395.438
10	Suction hose	395.414
11	Hose holder	395.425