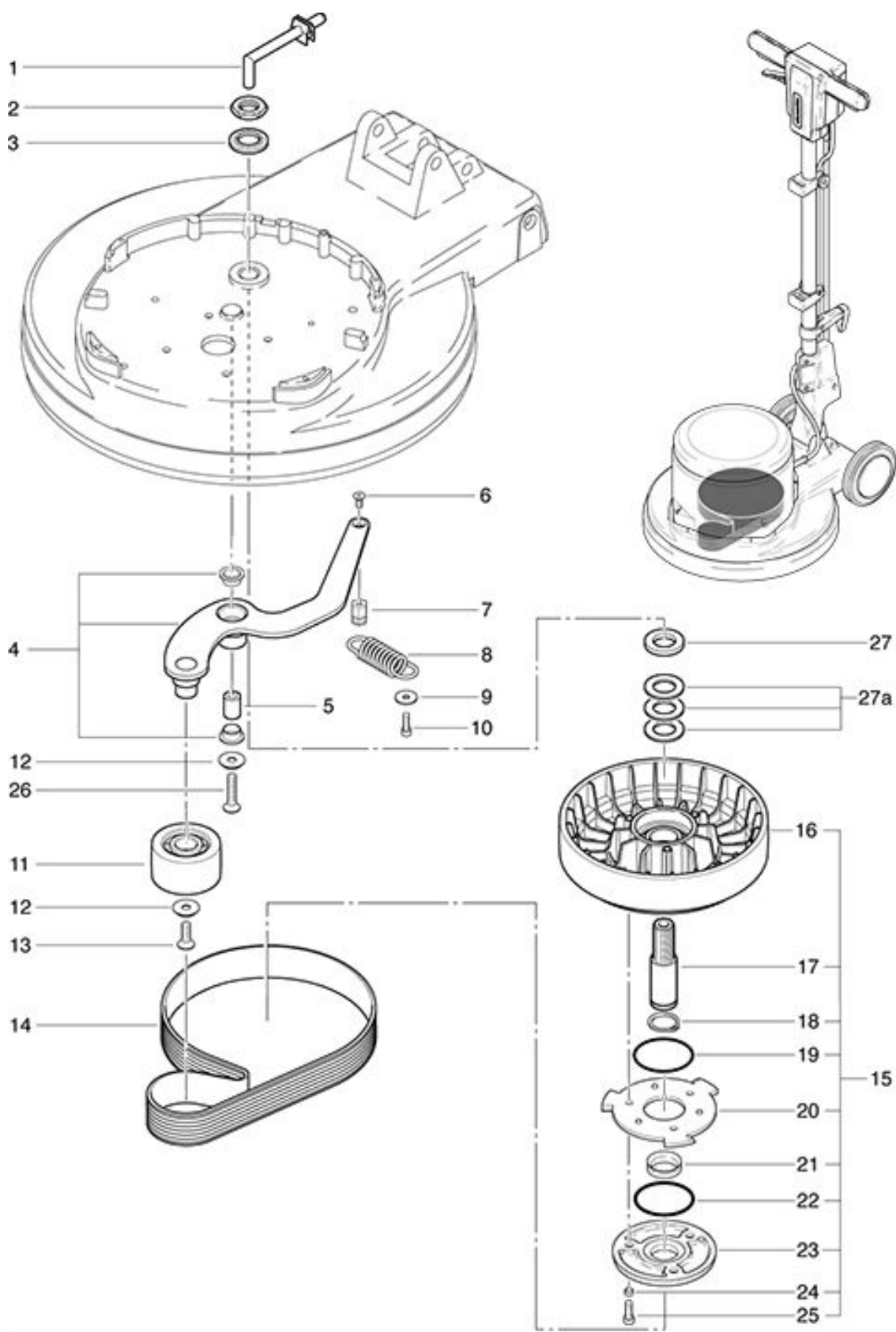


**R 44-450 High-Speed
Driving pieces from machine No. 9213**

As at: 03/29/17 Time:14:58



R 44-450 High-Speed

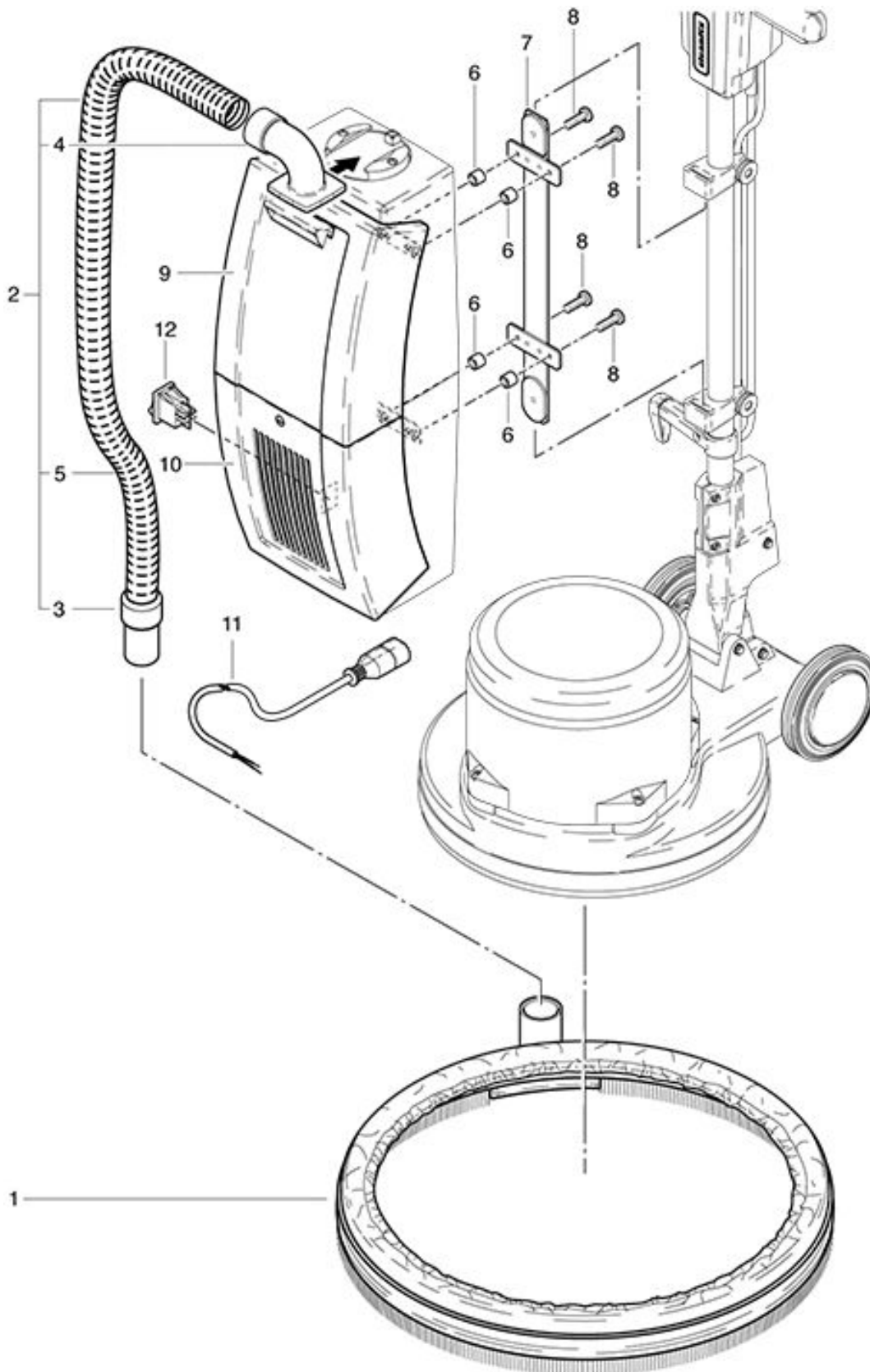
Driving pieces from machine No. 9213

As at: 03/29/17 Time:14:58

Pos.	Description	Reference
01	Solution tube	742.064
02	Nut	604611507
03	Washer M 20/20.5x40	P...498 Q
04	Belt tension pulley compl.	726.302
05	Sleeve	739.135
06	Screw DIN 7991 M6 x 12	P...487U
07		726.303
08	Spring RZ-177 MI 3,6/25/59,4	P...511 I
09	Washer DIN 9021 M 5 5,3/15/1,2	P...496 G
10	Screw BN 1023 M5 x 10	P...484 O
11		726.301
12	Washer M 8 25/48	P...500 T
13	Screw M 8x16	P...480 Q
14	Poly-V belt	6390520
15	Belt wheel pre-mounts cpl. including Items 16-25	741.127
16	Belt wheel pre-mounts	726.130
17	Main axle	741.125
18	Security ring DIN 471 25/1,2	P...513 D
19	O-ring 55,25x2.62 EPDM	P...964 A
20	Star wheel	742.141
21	V-profile ring	P...343 A
22	O-Ring 42,52 x 2,62	P...964 B
23	Brush support	742.128
24	Distance ring 6/8x4 mm	742.129
25	Cylindrical screw M 6x20	P...487 S
26	Screw DIN 7991 M 8x35	P...487 R
27	Between washer 20x32x3 VDE from machine No. 9240.13 SEV from Masch.Nr. 9248.006	3xP...499 W
27a	Distance disc 30x1, 8 to VDE Masch.Nr. 9240.12 SEV to Masch.Nr. 9248.006	3xP...499 W

R 44-450 High-Speed Vacuum complete

As at: 03/29/17 Time:14:59



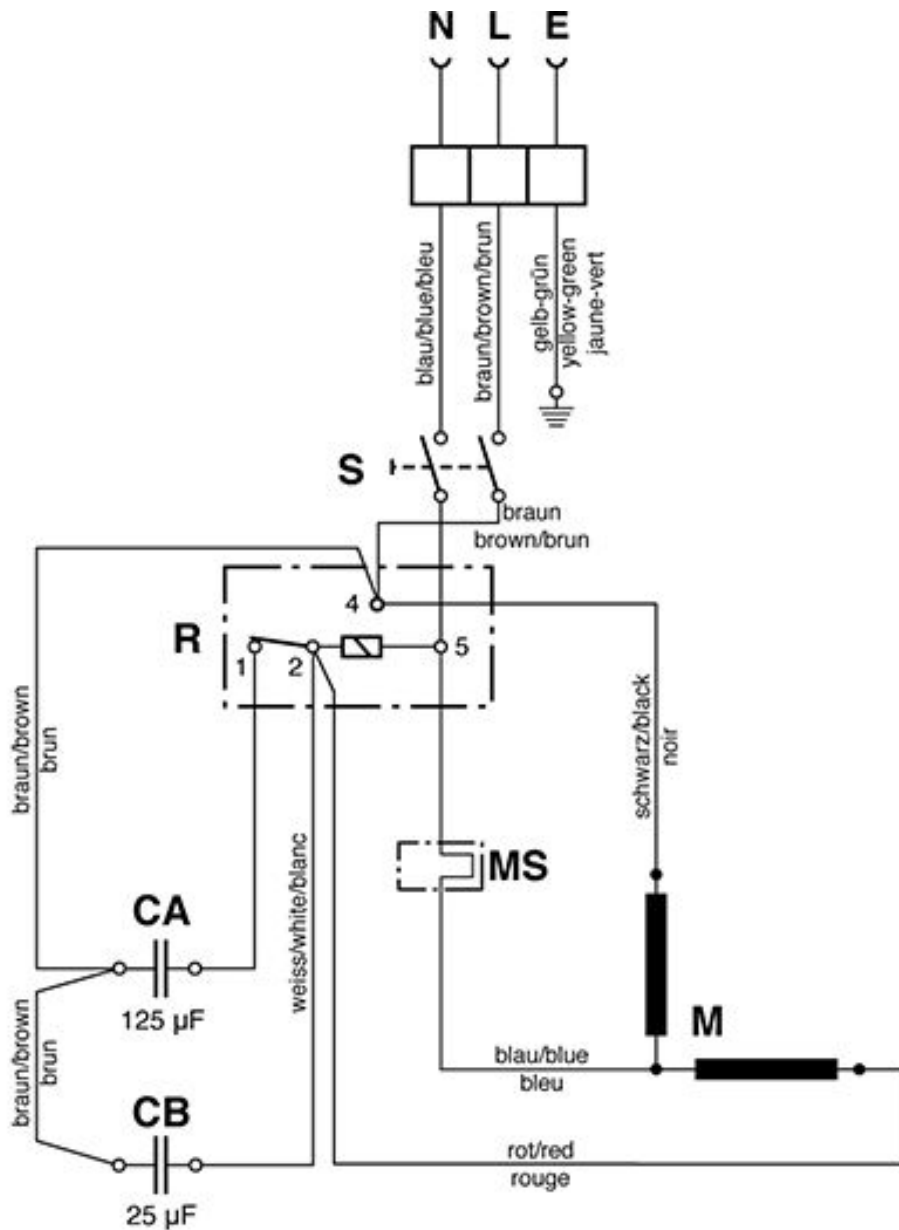
R 44-450 High-Speed Vacuum complete

As at: 03/29/17 Time:14:59

Pos.	Description	Reference
01	Vacuum ring Ø 44	741.650
02	Suction hose complete, including items 3,4,+5	780.930
03	Hose end connector 32 mm	P...562 C
04	Hose end connector	025.071
05	Suction hose	780.931
06	Distance piece 5x10x10	P...509 F
07	Support	780.942
08	Screw M 5x20	P...476 F
09	Dust-cover complet	025.111 L
10	Filter-cover preassembled	025.242 L
11	Electrical connection	780.937
12	Tumbler switch LED	P...240 F

R 44-450 High-Speed Wiring diagram

As at: 03/29/17 Time:14:59



- S = Schalter Bürstmotor / Tumbler switch for motor / Interrupteur pour moteur
- R = Startrelais / Relais / Relais de démarrage
- CA = Anlaufkondensator 125 µF / Capacitor 125 µF / Capaciteur 125 µF
- CB = Betriebskondensator 25 µF / Capacitor 25 µF / Capaciteur 25 µF
- M = Motor / Motor / Moteur
- MS = Motorschutzschalter

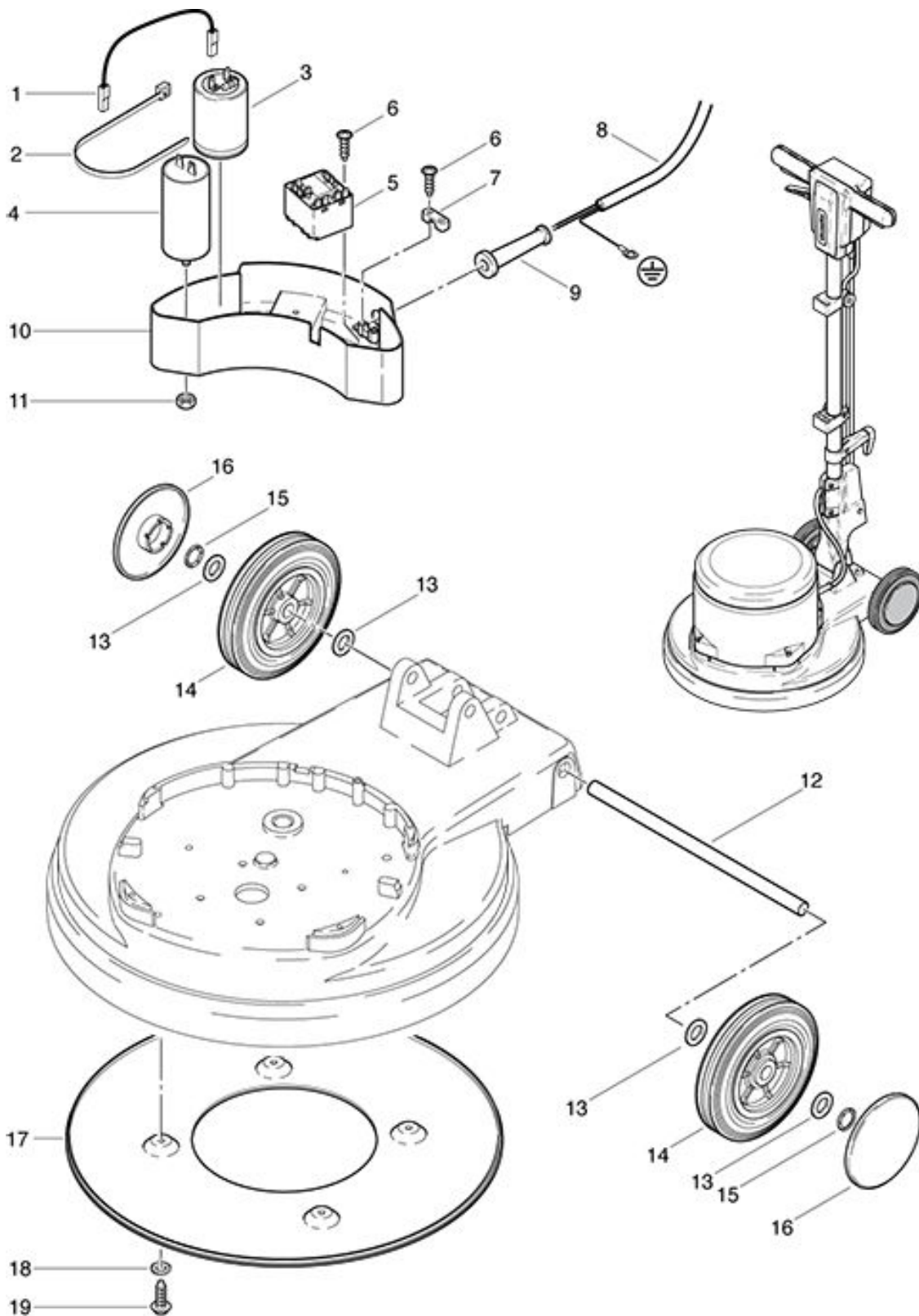
R 44-450 High-Speed Wiring diagram

As at: 03/29/17 Time:14:59

Pos.	Description	Reference
CA	Capacitor 125 uF	752.328
CB	Capacitor	P...385 J
M	Motor RA 44-450	752.121
R	Relais	P...350
S	Trumbler switch for motor	6650454

R 44-450 High-Speed Electronic and drive axle

As at: 03/29/17 Time:14:59



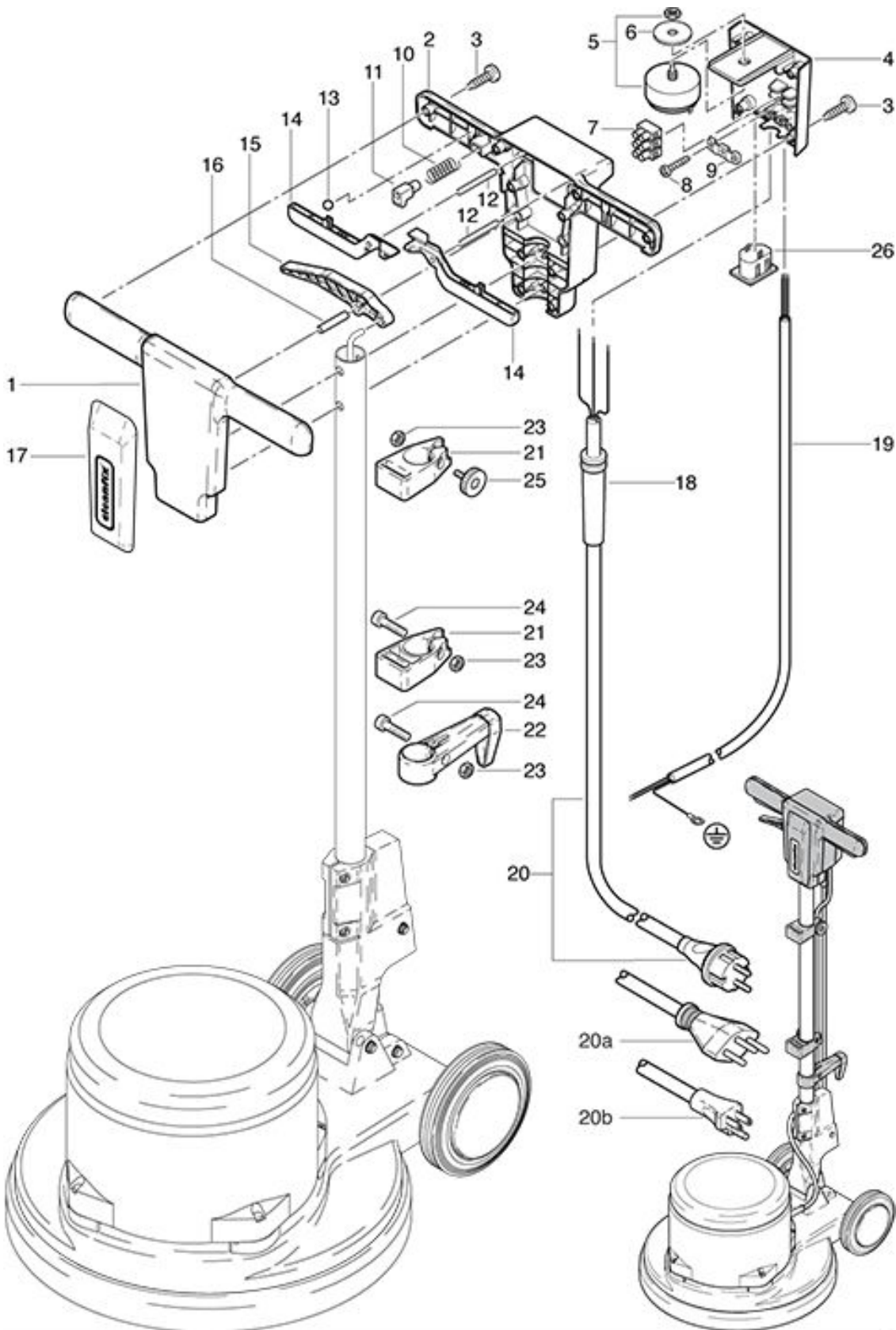
R 44-450 High-Speed Electronic and drive axle

As at: 03/29/17 Time:14:59

Pos.	Description	Reference
01	Wiring black	742.331
02	Cable tie 292 mm	P...424
03	Capacitor 125 uF 8,2 kOhm	752.328
04	Caopacitor 25 uF	P...385 J
05	Relais white	P...350
06	Screw 5x20	P...515 K
07	Cable clamp	4611085
08	Cable-tree	742.313
09	Antikink sleeve	60011014
10	Housing	741.315
11	Hexagon nut M 8	P...490 E
12	Wheel axle	752.040
13	Washer M 14	P...496 Y
14	Wheel 160 mm	741.075
15	Retaining ring	P...500 M
16	Wheel cover red	741.076
17	Bottom plate	742.146
18	Serated look washer M 5	P..498 D
19	Sheet metal screw 4,8x13	P...483 B

R 44-450 High-Speed Top part front side

As at: 03/29/17 Time:15:00



R 44-450 High-Speed

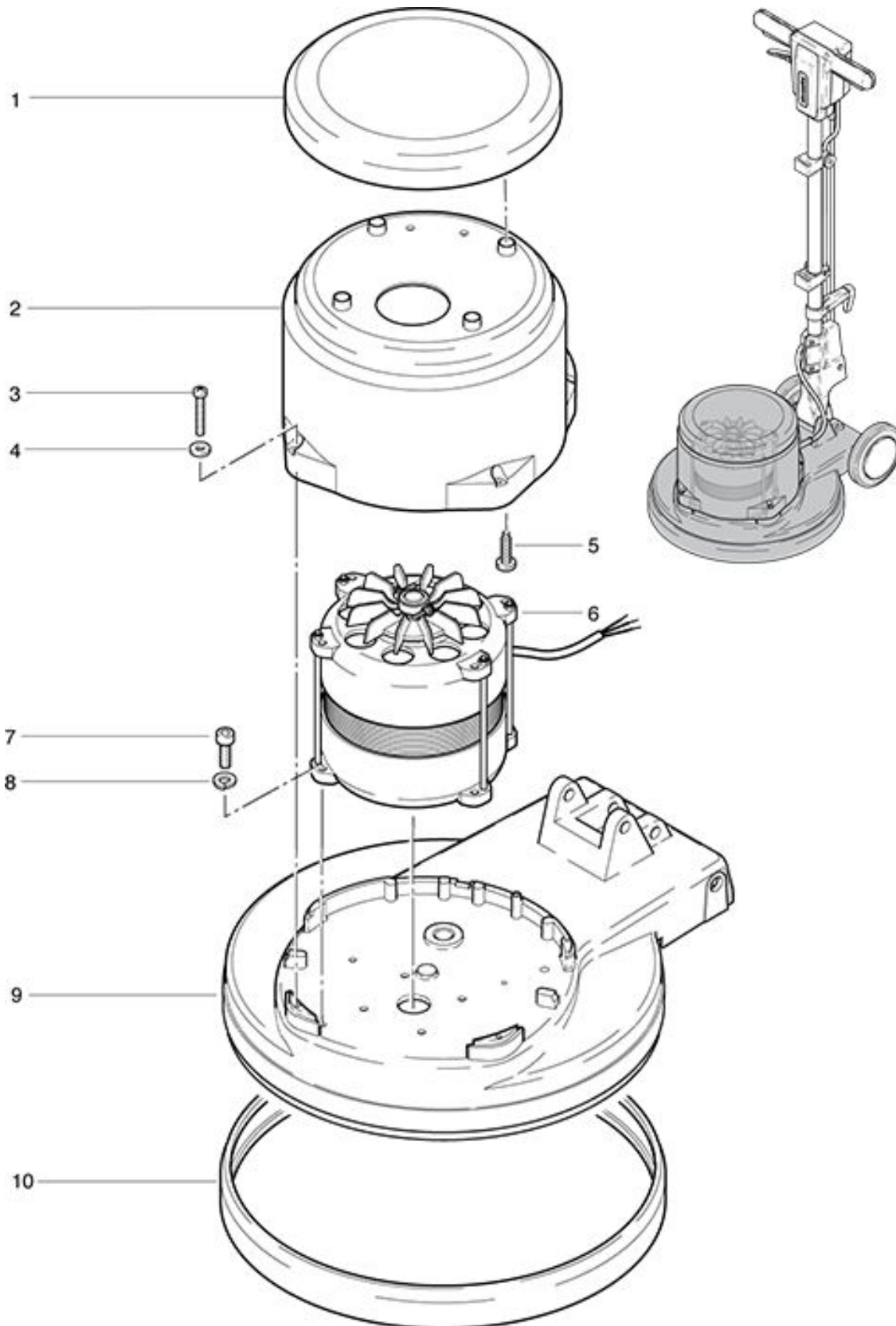
Top part front side

As at: 03/29/17 Time:15:00

Pos.	Description	Reference
01	Top part front side	741.201
02	Top part back side	741.202
03	PT-screw KA 50x25	P...515 L
04	Connection box	741.310
05	Switch compl.	6650454
06	Washer Ø 12x37x3	P...496
07	Hose clamp	P...383 N
08	PT screw KA 40x25	P...516 O
09	Cable clamp	742.321
10	Belt	742.209
11	Security switch	742.208
12	Straight pin Ø 6x50	P...512 M
13	Ball Ø 8 mm	6440641
14	Switch handle	741.204
15	Shaft adjustment lever	741.207
16	Straight Ø pin 8x40	P...512 P
17	Screen rot	741.208
18	Antikink sleeve	660.011.014
19	Cable-tree	751.313
20	Mains cable gray VDE, 12.5m 3x1,5mm ²	656711039
20a	Mains cable SEV, 12.5m 3x1,5mm ²	65671103901
20b	Mains cable GB 3x1,5mm ² , 15m gray	P...289 D
21	Solution tank holder	4711231
22	Cable hook	3711029
23	Hexagon nut M 6	P...490 D
24	Hexagon socket screw M 6x25	P...486 T
25	Star handle Ø 32 M 6x25	P...253 G
26	Socket for external tools	P...380 B

R 44-450 High-Speed Motor

As at: 03/29/17 Time:15:00



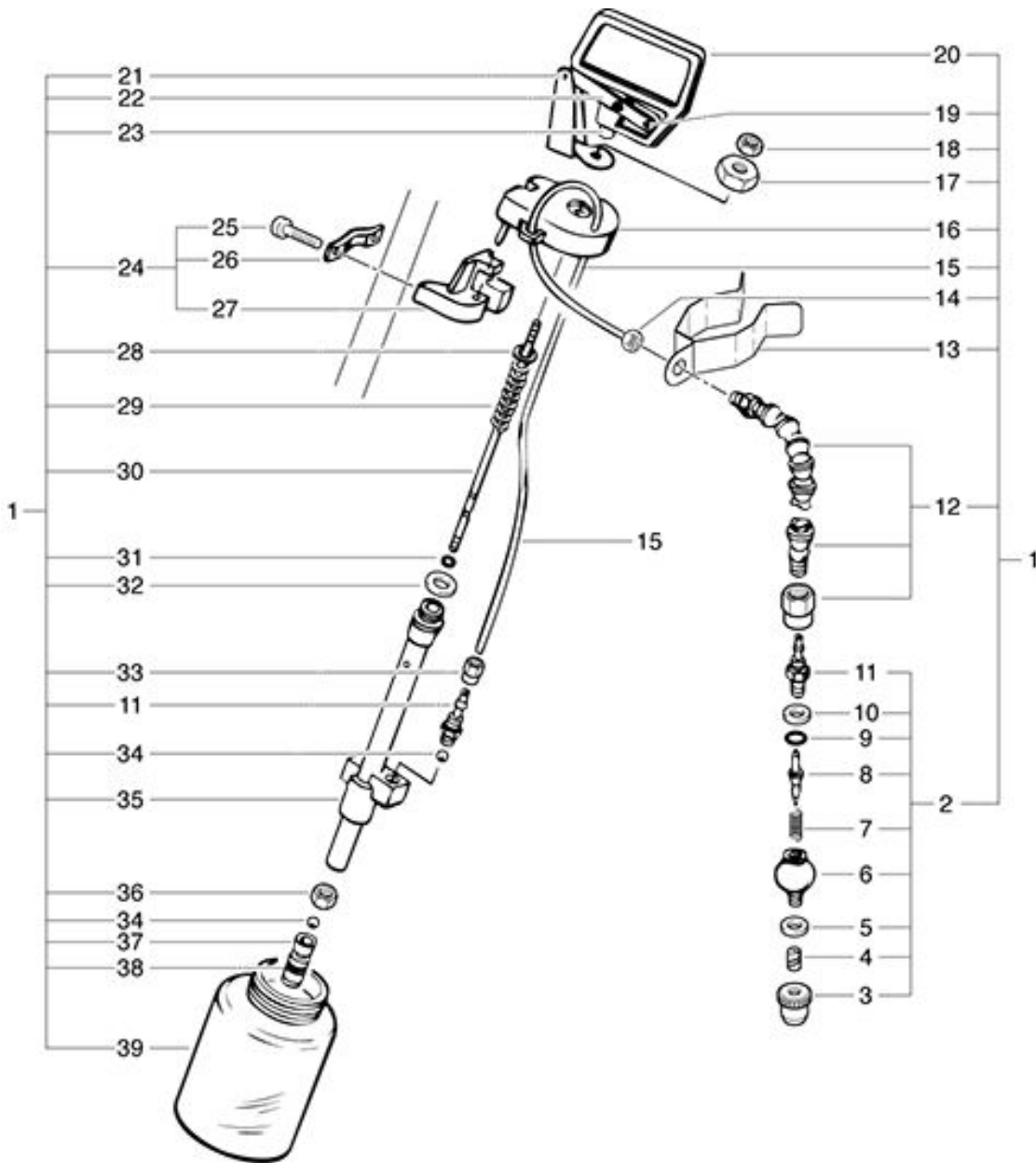
R 44-450 High-Speed Motor

As at: 03/29/17 Time:15:00

Pos.	Description	Reference
01	Red cap	741.067
02	Motor housing	741.065
03	Pan-Head screw 5x30	P...476 I
04	Washer M 5	P...497 V
05	screw WN 1452 K40 x 12	P516P
06	Motor complete	752.121
07	Hexagon socket screw M 6x25	P...486 T
08	Lock washer M 6	P...498 U
09	Lower housing Masch.Nr. up 9212	742.055
09	Lower housing from machine No. 9213	741.095
10	Buffer of housing	742.053

R 44-450 High-Speed Spray unit

As at: 03/29/17 Time:15:01



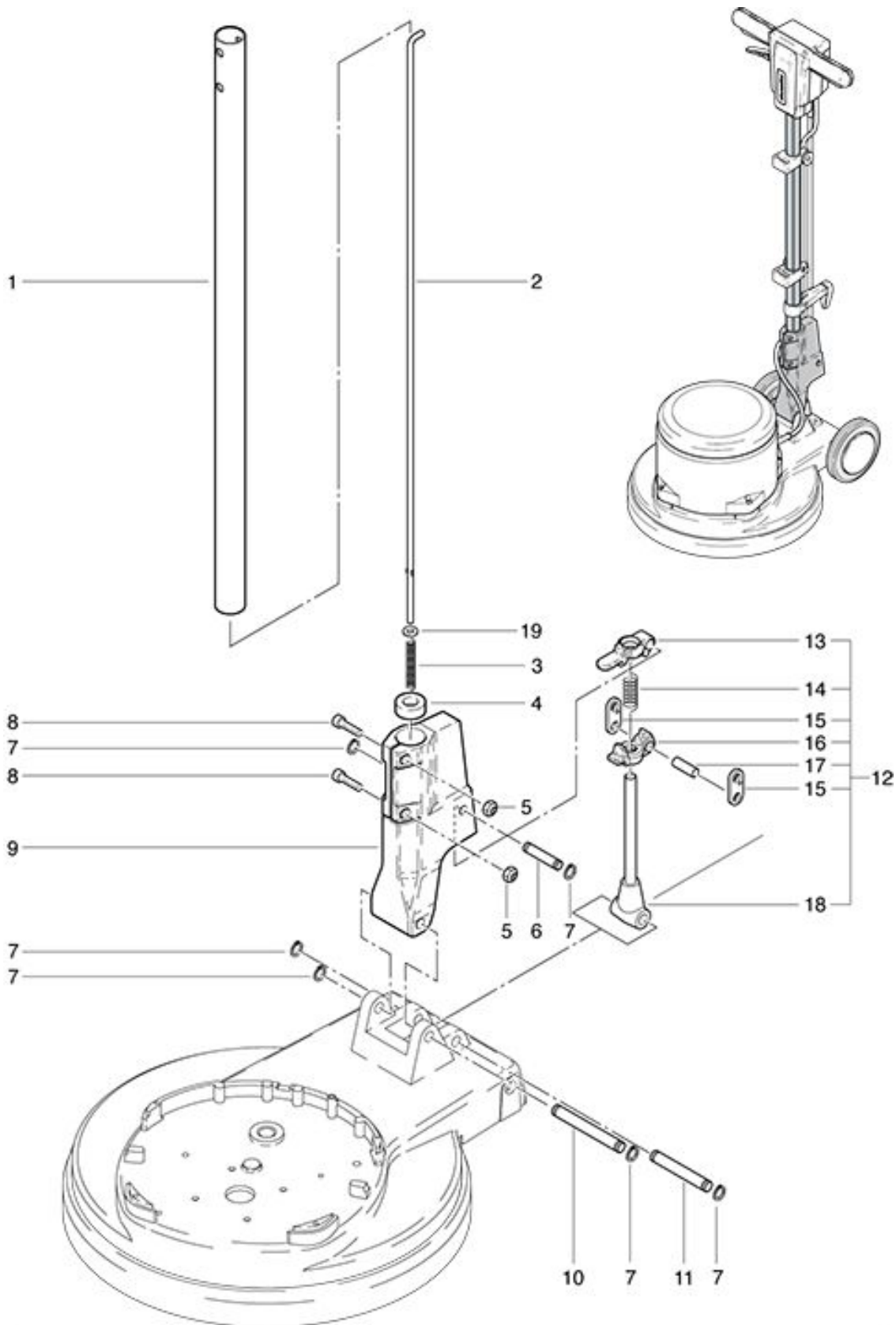
R 44-450 High-Speed Spray unit

As at: 03/29/17 Time:15:01

Pos.	Description	Reference
01	Spray unit complete	752.900
02	Spray nozzle complete	2015136
03	Spray nozzle	672015015
04	Spinner	3015053
05	Leather gasket	6490294
06	Threaded nipple	4015072
07	Compression spring	634015081
08	Nozzle readier	672015133
09	O-ring	6456832
10	Leather gasket	6490295
11	Hose connector	4015089
12	Flexible hose, complete	3015138
13	Nozzle holder	752.905
14	Hexagon nut M 10	P...491 O
15	Hose	3015153
16	Cover complete	3015119
17	Nut	604015063
18	Hexagon nut M 6	P...491 E
19	Straight pin 5x12	P...512 J
20	Lever	4015145
21	Lever bracket	4015117
22	Lever	3015144
23	Pull strap	672015147
24	Support avec collier compl.	2015084
25	Hexagon bolt M 6x40	P...486 Y
26	Clip	4711035
27	Retaining piece	3015079
28	Washer M 6	P...496 V
29	Compression spring	634015151
30	Piston rod	672015149
31	O-ring	6456856
32	Gasket	6465196
33	Cap nut	4015090
34	Ball	P...316 Y
35	Valve body, complete	3015150
36	Hexagon nut M 6	P...491 E
37	Piston	4015068
38	Seal	6495361
39	Tank	4015113

R 44-450 High-Speed Shaft adjuster

As at: 03/29/17 Time:15:01



R 44-450 High-Speed Shaft adjuster

As at: 03/29/17 Time:15:01

Pos.	Description	Reference
01	Shaft tube	742.410 L
02	Rod	742.212 L
03	Compressing spring	634711031
04	Guide sleeve	623711022
05	Nut M 6	P...490 D
06	Axle 10x50	672711018
07	Retaining washer	P...499 Q
08	Screw M 6x25	P...486 T
09	Shaft adjustment unit	742.260
10	Axle	672711016
11	Axle	672711017
12	Shaft adjuster, complete including Items 13-16	2711133
13	Adjuster long	3711236
14	Compressing spring	634711020
15	Holder	4711014
16	Adjuster short	3711237
17	Axle 10x29	672711019
18	Adjuster shaft	741.270
19	Washer M 6	P...496 K