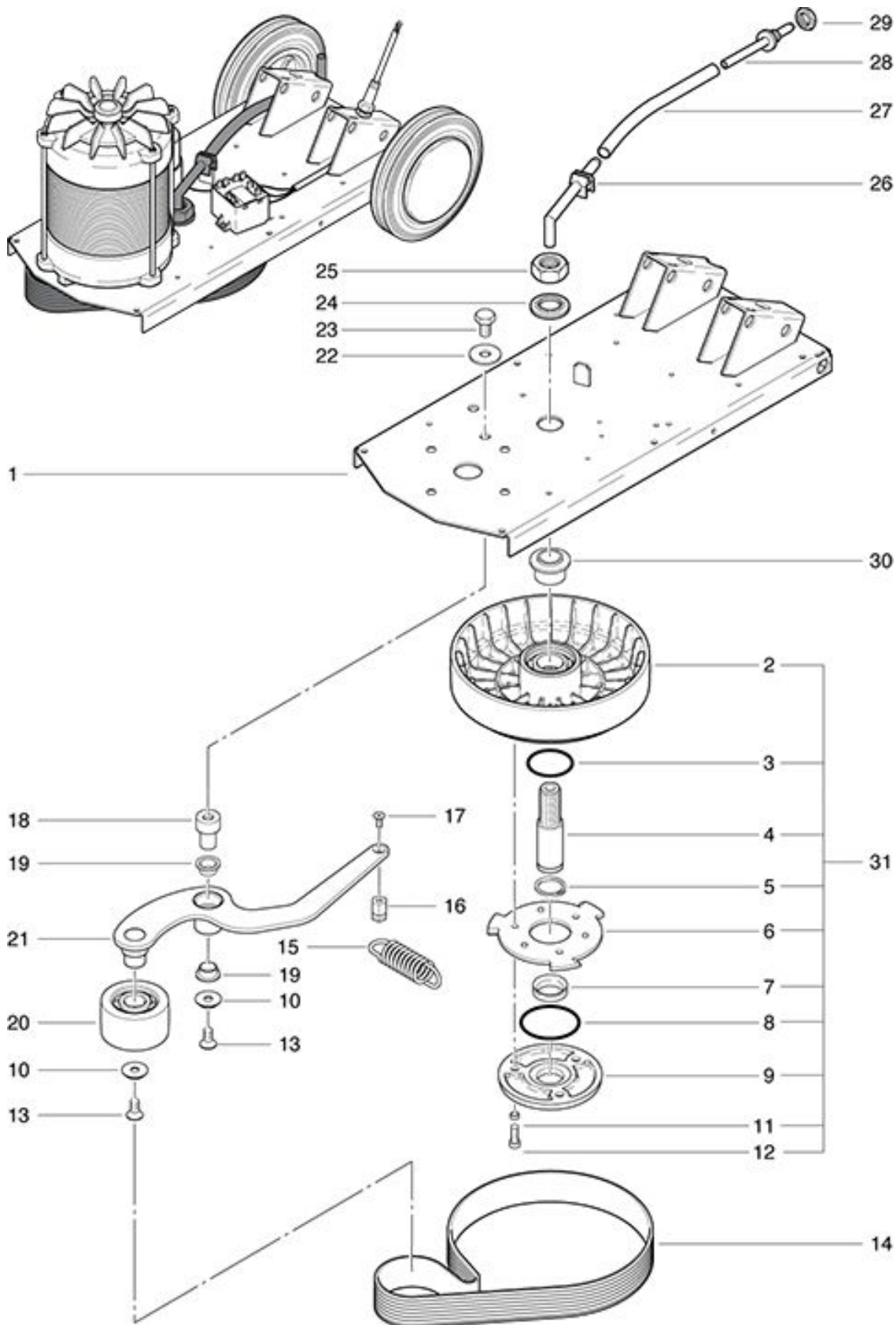


PowerDisc LS Driving pieces

As at: 03/29/17 Time:14:28



PowerDisc LS

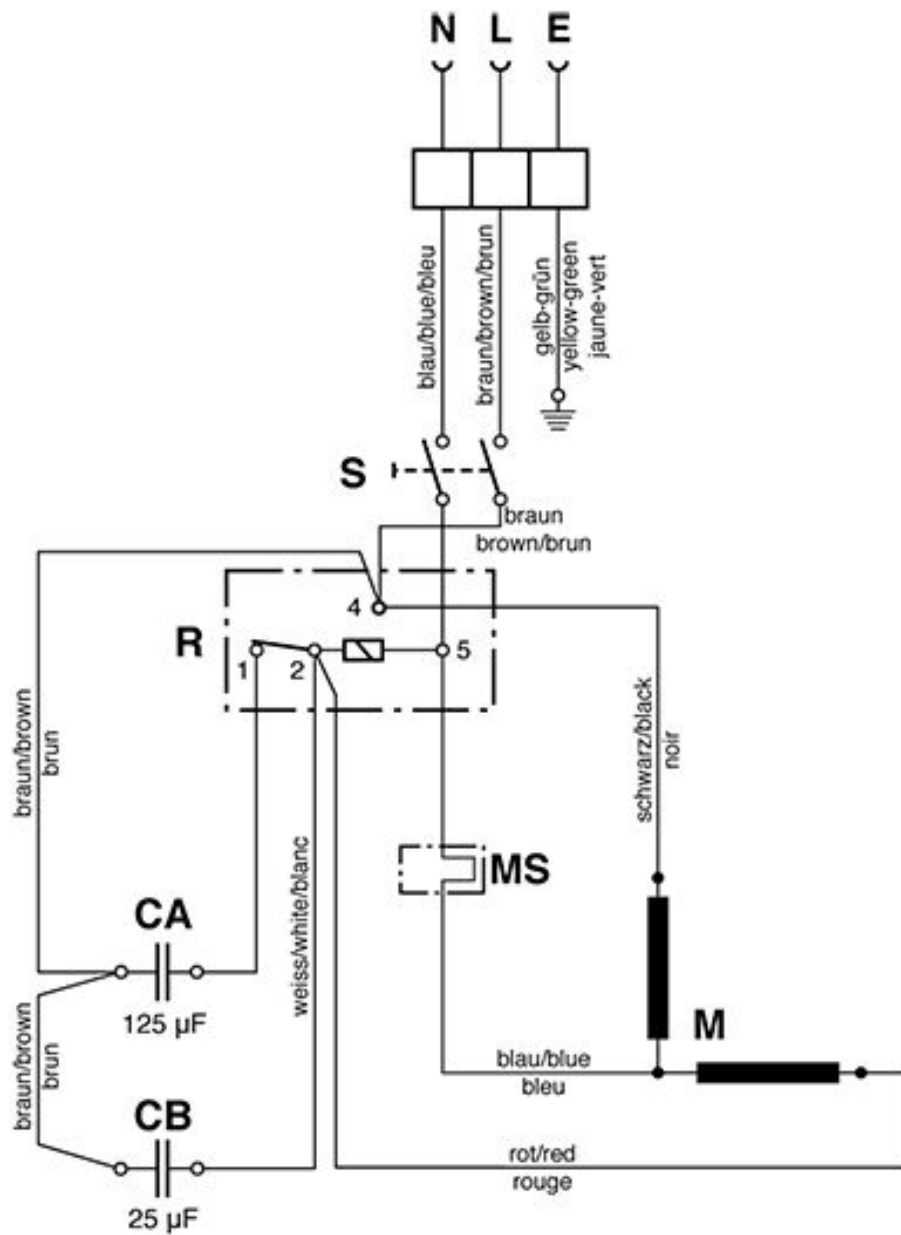
Driving pieces

As at: 03/29/17 Time:14:28

Pos.	Description	Reference
01	Chassis compl.	726.101
02	Drive pulley complete	726.130
03	O-ring 42,52x2.62 EPDM	P...964 B
04	Main shaft\l'n	742.125
05	Retaining washer DIN 471 25/1,2	P...513 D
06	Star wheel	742.141
07	V-formed ring	P...343 A
08	O-Ring 55,25x2.62 EPDM	P...964 A
09	Brush support	742.128
10	Washer M 8 25/48	P...500 T
11	Distance ring 8/6x4 mm	742.129
12	Hexagon screw M 6x20	P...487 S
13	Screw M 8x16	P...480 Q
14	Poly-V belt 15-PJ-864 mm LW	6390520
15	Spring Ø 3,6 Ø 25x68,1	P...511 F
16		726.303
17	Screw DIN 7991 M6 x 12	P...487U
18	Federation tap	726.102
19	Ball bearing	P...316 X
20		726.301
21	Belt tension pulley	726.302
22	Washer M 10 10,5/30/2,5	P...496 S
23	Hexagon screw M 10x16	P...472 W
24	Locking screw	P...498 Q
25	Hexagon nut M 20 x 1,5	P...492 R
26	Solution tube	748.064
27	Hose	720.123
28	Connection pipe compl.	720.062
29	Hexagon screw M 12x0,75	6650461
30		726.103
31	Drive pulley complete	726.126

PowerDisc LS
Wiring diagram

As at: 03/29/17 Time:14:29



- S = Schalter Buerstmotor / Tumbler switch for motor / Interrupteur pour moteur
- R = Startrelais / Relais / Relais de démarrage
- CA = Anlaufkondensator 125 µF / Capacitor 125 µF / Capaciteur 125 µF
- CB = Betriebskondensator 25 µF / Capacitor 25 µF / Capaciteur 25 µF
- M = Motor / Motor / Moteur
- MS = Motorschutzschalter

PowerDisc LS

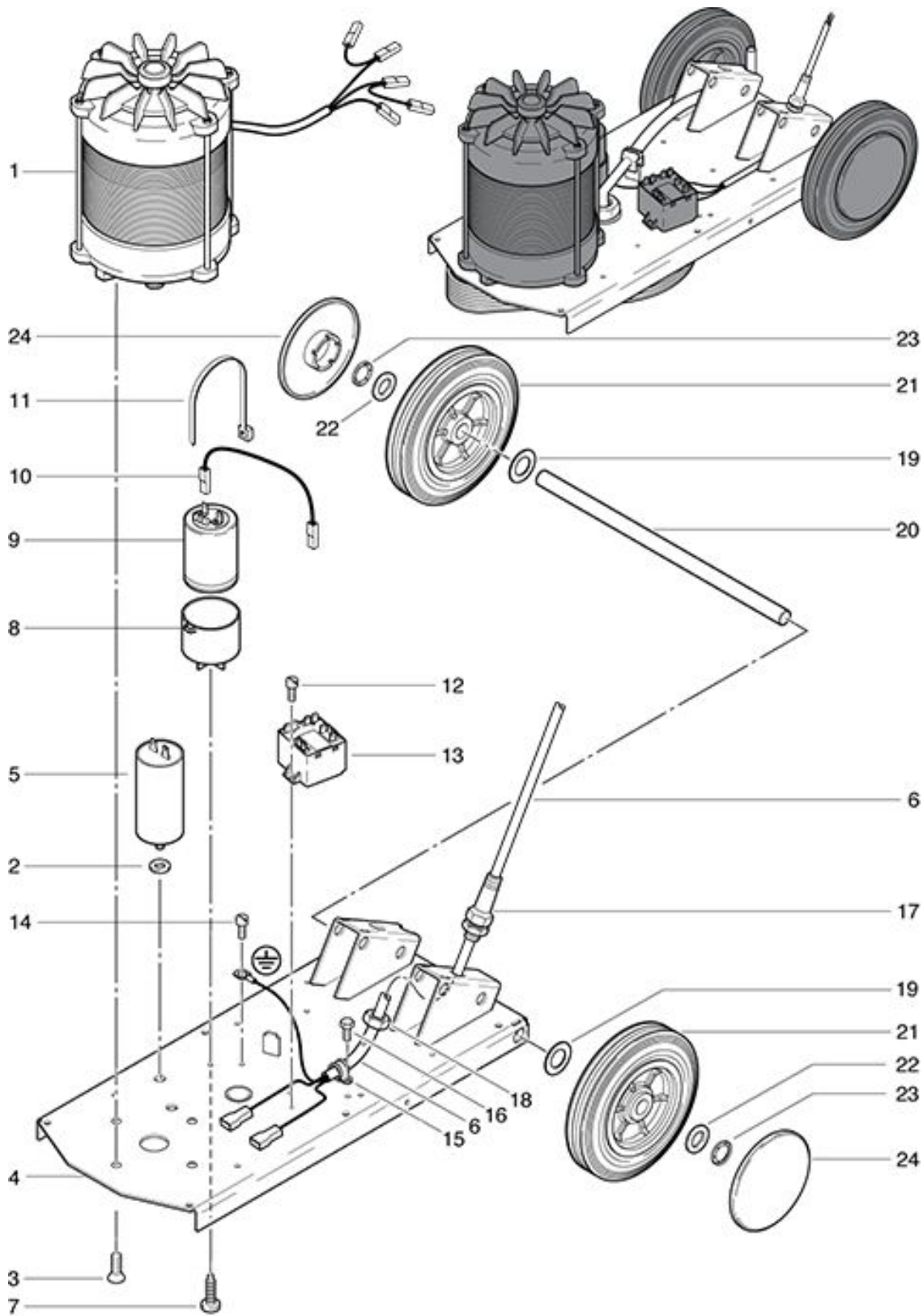
Wiring diagram

As at: 03/29/17 Time:14:29

Pos.	Description	Reference
CA	Capacitor 125 μ F	742.328
CB	Capacitor 25 μ F	P...385 J
M	Motor	720.121
MS		
R	Relais with	P...350
S	Tumbler switch for motor	6650454

PowerDisc LS
Electronic and drive axle

As at: 03/29/17 Time:14:30



PowerDisc LS

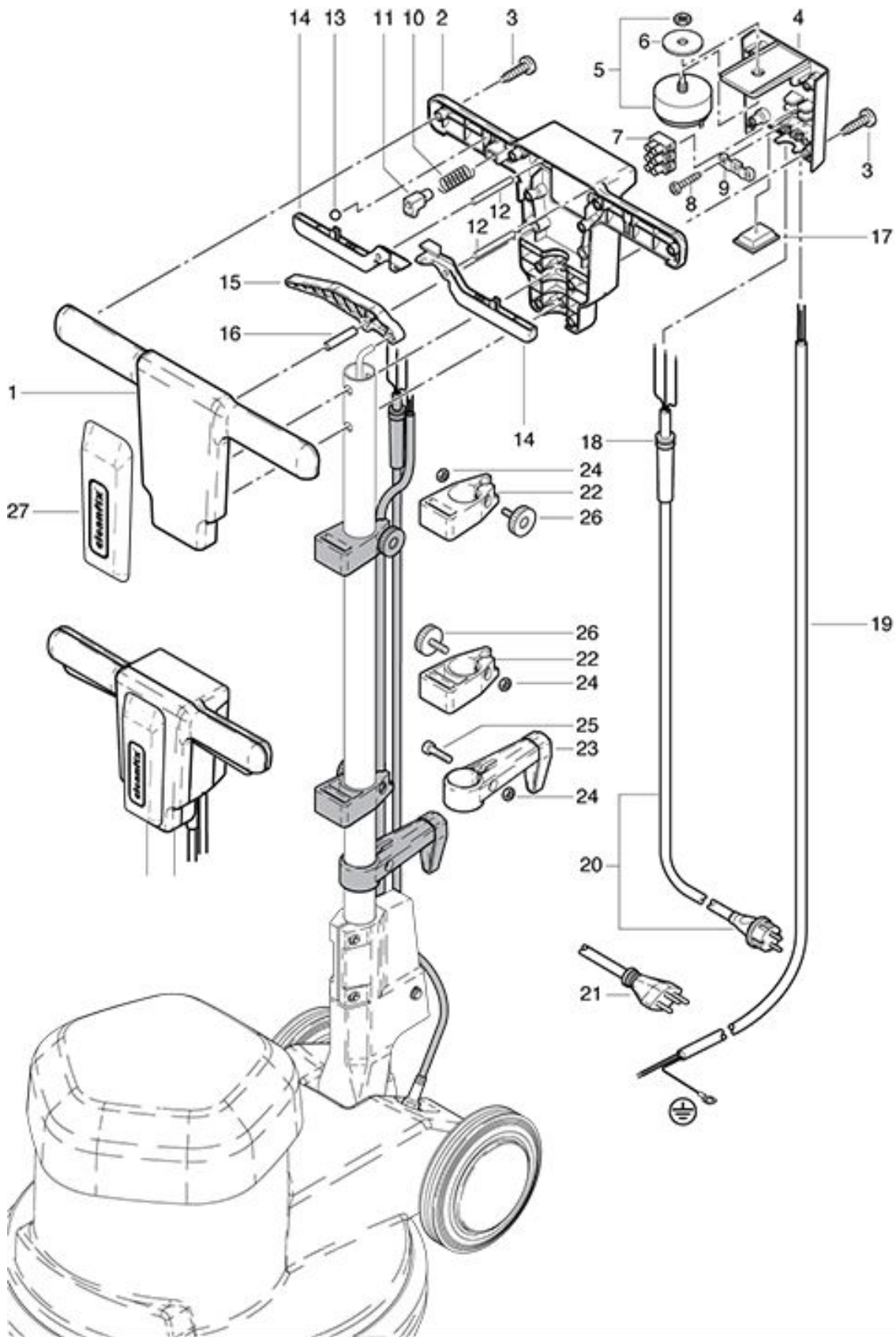
Electronic and drive axle

As at: 03/29/17 Time:14:30

Pos.	Description	Reference
01	Motor	726.121
02	washer M 8	P...496 Q
03	Screw DIN 7991 M 8x12	P...479 R
04	Chassis compl.	726.101
05	'Capacitor 25 μ F	P...385 J
06	Cable-tree	720.312
07	Screw KA40x16	P...516 C
08	Holder for capacitor	741.316
09	Capacitor 125 μ F 47 kOhm	742.328
10	Wiring black	742.331
11	Cable tie 292 mm	P...424
12	Srew M 4x8	P...481 Q
13	Relais with	P...350
14	Screw DIN 7500 M4 x 6	P...515 TA
15	Cable support	P...281
16	Screw M 5x12	P...483 P
17	Cable grommet	P...279 K
18	Conter nut PG 9	P...279 H
19	Washer 16x28x0.5 mm	P...510
20	Wheel axe \varnothing 15x320 mm	720.040
21	Wheel 160 mm	741.075
22	Washer M 14	P...496 Y
23	Retaining ring	P...500 M
24	Wheel cover red	741.076

PowerDisc LS
Top part front side

As at: 03/29/17 Time:14:30



PowerDisc LS

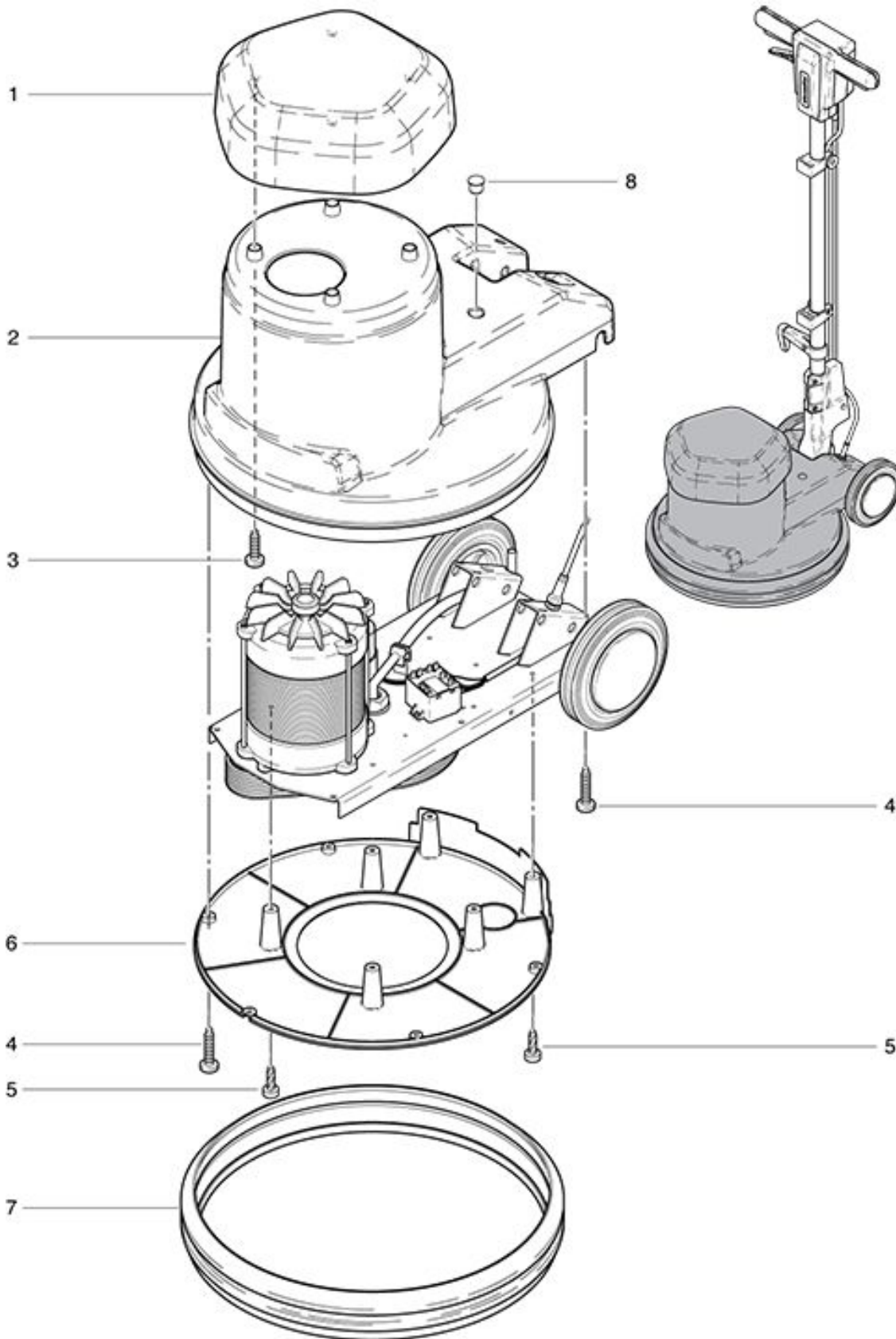
Top part front side

As at: 03/29/17 Time:14:30

Pos.	Description	Reference
01	Top part front side	741.201
02	Top part back side	741.202
03	PT-screw KA 50x25	P...515 L
04	Connection box	741.310
05	Switch	6650454
06	Washer Ø 12x37x3	P...496
07	Hose clamp	P...383 N
08	PT screw KA 50x18	P...516 Q
09	Cable clamp	742.321
10	Belt	742.209
11	Security switch	742.208
12	Straight pin Ø 6x50	P...512 M
13	Ball Ø 8 mm	6440641
14	Switch handle	741.204
15	Shaft adjustment lever	741.207
16	Straight pin Ø 8x40	P...512 P
17	Cover black	741.216
18	Antikink sleeve	660.011.014
19	Cable-tree	720.312
20	Mains cable 12,5 m VDE	656711039
21	Mains cable 12,5 m SEV	65671103901
22	Solution tank holder	4711231
23	Cable hook	3711029
24	Hexagon nut M 6	P...490 D
25	Hexagon socket screw M 6x25	P...486 T
26	Star handle Ø 32 M 6x25	P...253 G
27	Screen red	741.208

PowerDisc LS
Motor housing

As at: 03/29/17 Time:14:31



PowerDisc LS

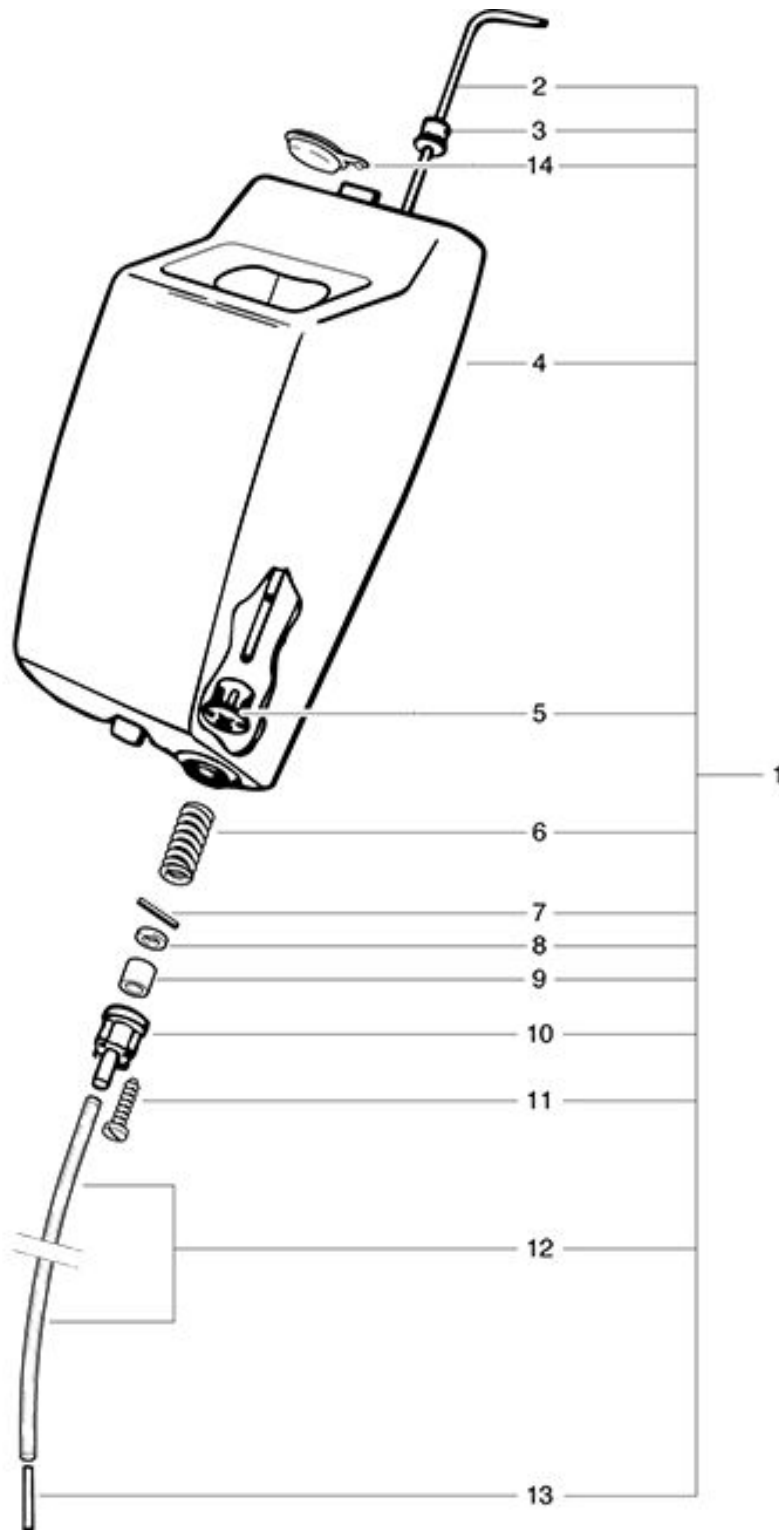
Motor housing

As at: 03/29/17 Time:14:31

Pos.	Description	Reference
01	Cap	720.067
02	Motor housing	720.065
03	PT screw KA 50x16	P...515 H
04	PT screw KA 50x18	P...516 Q
05	Screw M 5x12	P...483 P
06	Bottom plate	720.146
07	Buffer for housing	720.054
08	Stopfen	P...170 F

**PowerDisc LS
Solution tank**

As at: 03/29/17 Time:14:31



PowerDisc LS

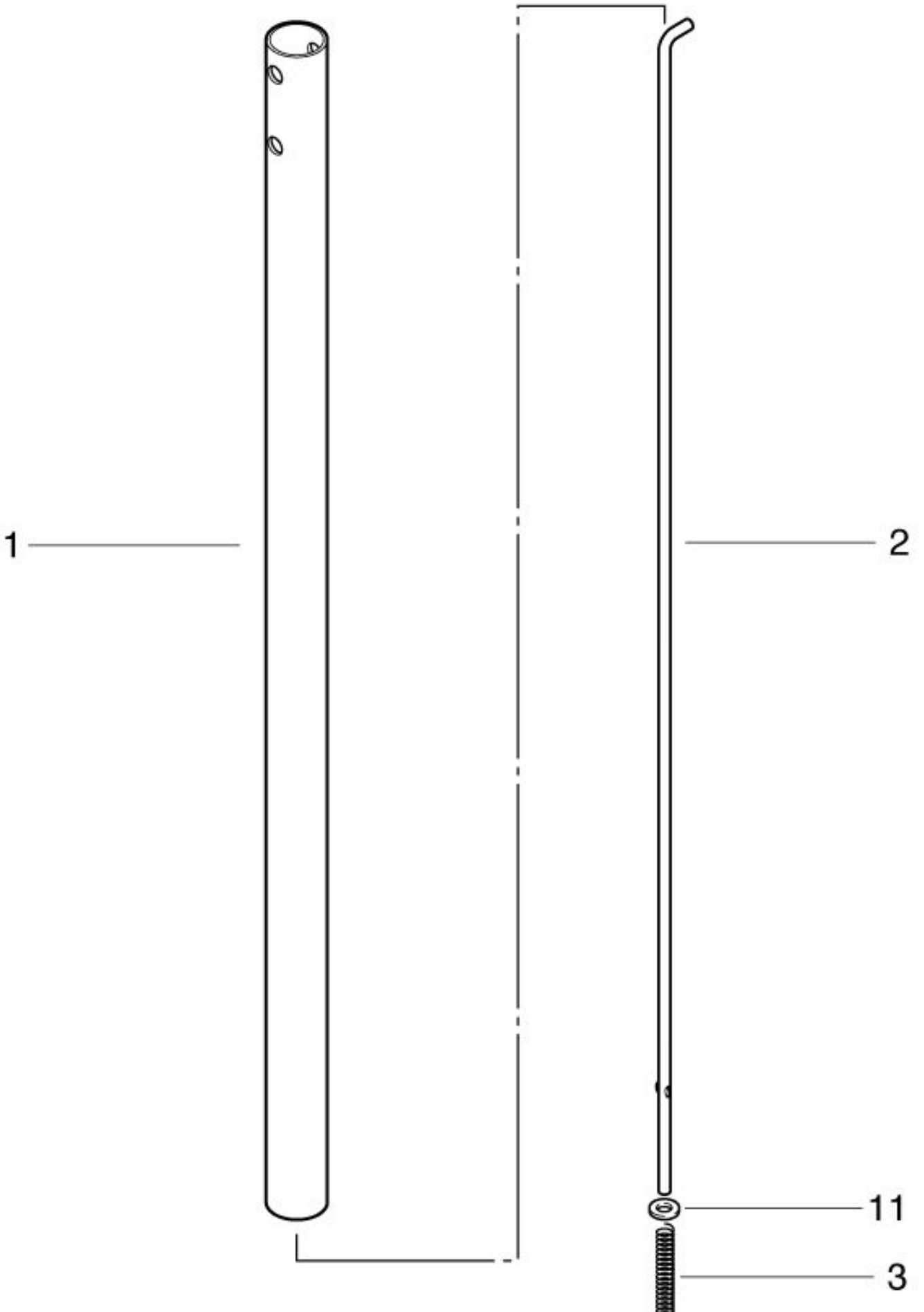
Solution tank

As at: 03/29/17 Time:14:31

Pos.	Description	Reference
01	Solution tank, complete including Items 2-14	719000
02	Operating handle	719.110
03	Ignition distributor cap	6605211
04	Solution tank	719.100
05	Valve body, top	4112144
06	Compression spring	634112285
07	Straight pier 3x24	P...512 N
08	Washer M 4	P...496 D
09	Buffer sleeve	6475158
10	Valve body, bottom	4112143
11	Sheet metal screw 3,5x38	P...483 N
12	Plastic hose	3112286
13	Tube	675112152
14	Cover	300.731

PowerDisc LS
Shaft adjuster

As at: 03/29/17 Time:14:31



PowerDisc LS

Shaft adjuster

As at: 03/29/17 Time:14:31

Pos.	Description	Reference
01	Shaft tube	742.410 L
02	Rod	742.212 L
03	Compressing spring	634711031
04	Guide sleeve	623711022
05	Nut M 6	P...493 K
06	Axle 10x50	672711018
07	Retaining washer	P...499 Q
08	Screw M 6x22	P...486 X
09	Shaft adjustment unit	720.260
10	Axle	720.129
11	Washer M 6	P...496 K
12	Shaft adjuster, complete including Items 13-18	2711133
13	Adjuster long	3711236
14	Compressing spring	634711020
15	Holder	4711014
16	Adjuster short	3711237
17	Axle 10x29	672711019
18	Adjuster shaft	741.270