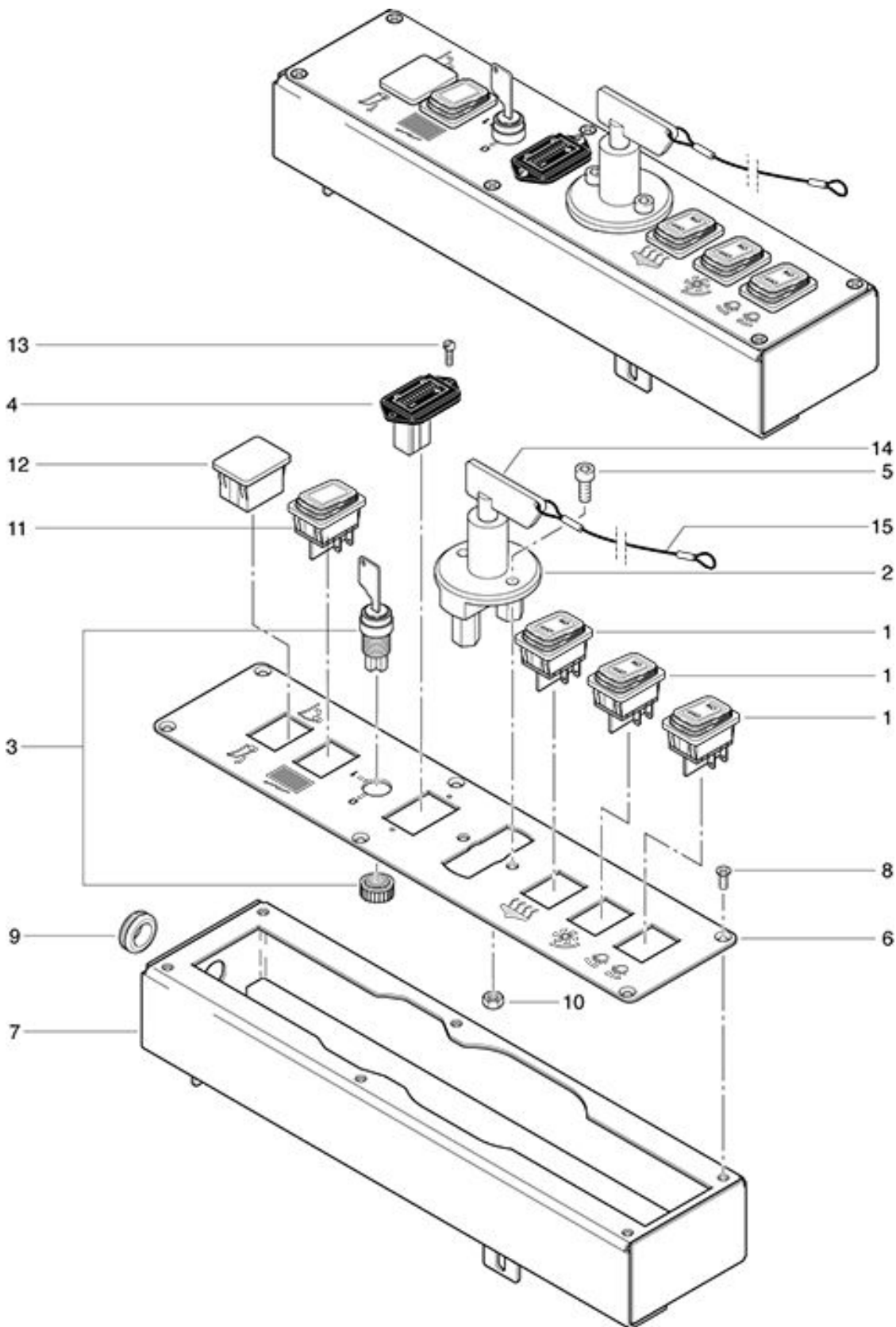


KS 1100 B
Control Box to machine no. 9312

As at: 03/30/17 Time:14:45



KS 1100 B

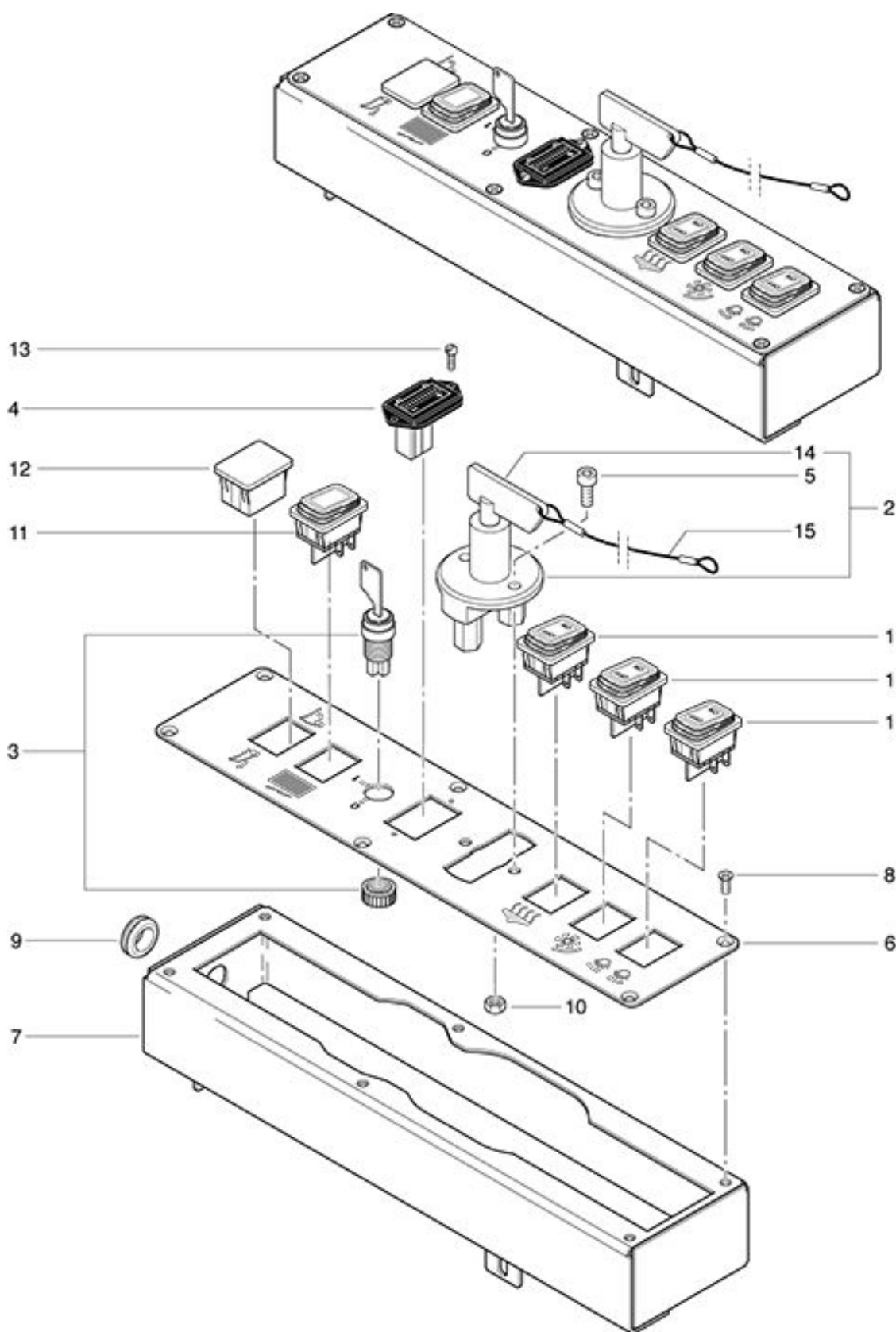
Control Box to machine no. 9312

As at: 03/30/17 Time:14:45

Pos.	Description	Reference
01	Tumbler switch 24 V	P...241
02	Partition plug for battery	710.611
03	Key lock\	P244A
04	Univers. Trucharge Display Module	800.708
05	Screw DIN 912 M 6x16 A2	P...488 P
06	Support plate Ele (up to serial no 9312 new key switch No. P. .. 244 to buy C and adjuster)	080.212
07	Console	080.213
08	Screw DIN 965 M 4x8 A2	P...479 A
09	Grommet Ø 14 mm	P...207 A
10	Hexagon nut DIN 985 M 6	P...493 K
11	Push-button 24 V	P...238
12	Blind piece	P...245
13	Screw DIN 85 A M 3x12	P...475 B
14	Key to battery disconnect switch	710.613
15	Polyester rope to key battery disconnect switch	710.612

KS 1100 B
Control Box from Machine No. 9313

As at: 03/30/17 Time:14:46



KS 1100 B

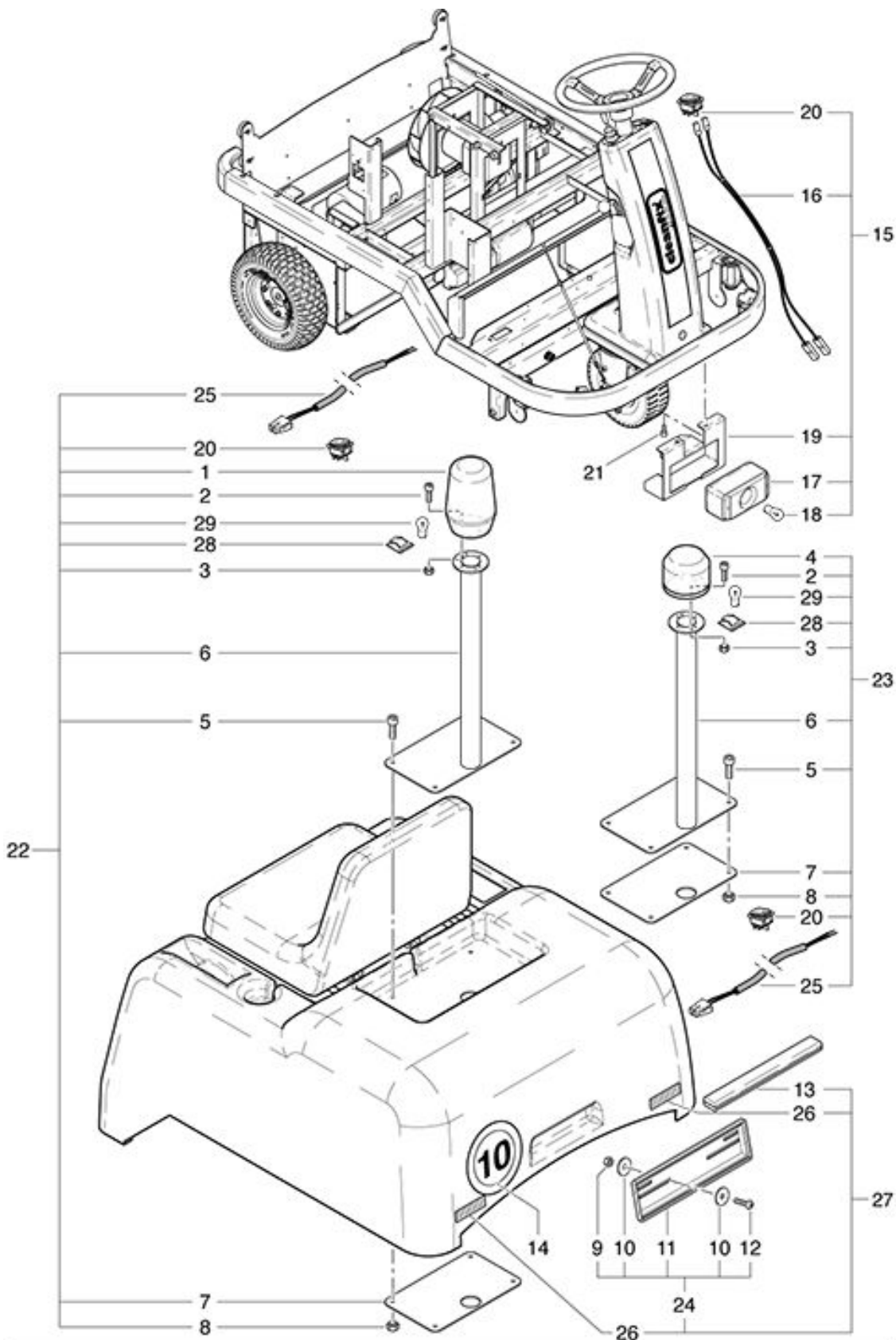
Control Box from Machine No. 9313

As at: 03/30/17 Time:14:46

Pos.	Description	Reference
01	Rocker switch white 24V	P...241
02	Partition plug for battery incl. key	P...244 D
03	Key lock	P...244 C
04	Univers. Trucharge Display Module	800.708
05	Screw DIN 912 M 6x16 A2	P...488 P
06	Support plate Ele	080.212
07	Console	080.213
08	Screw DIN 965 M 4x8 A2	P...479 A
09	Grommet Ø 14 mm	P...207 A
10	Hexagon nut DIN 985 M 6	P...493 K
11	Push-button 24 V	P...238
12	Blind piece	P...245
13	Screw DIN 85 A M 3x12	P...475 B
14	Key	P...244 E
15	Polyester rope to key battery disconnect switch	710.612

KS 1100 B
Special accessories

As at: 03/30/17 Time:14:44



KS 1100 B

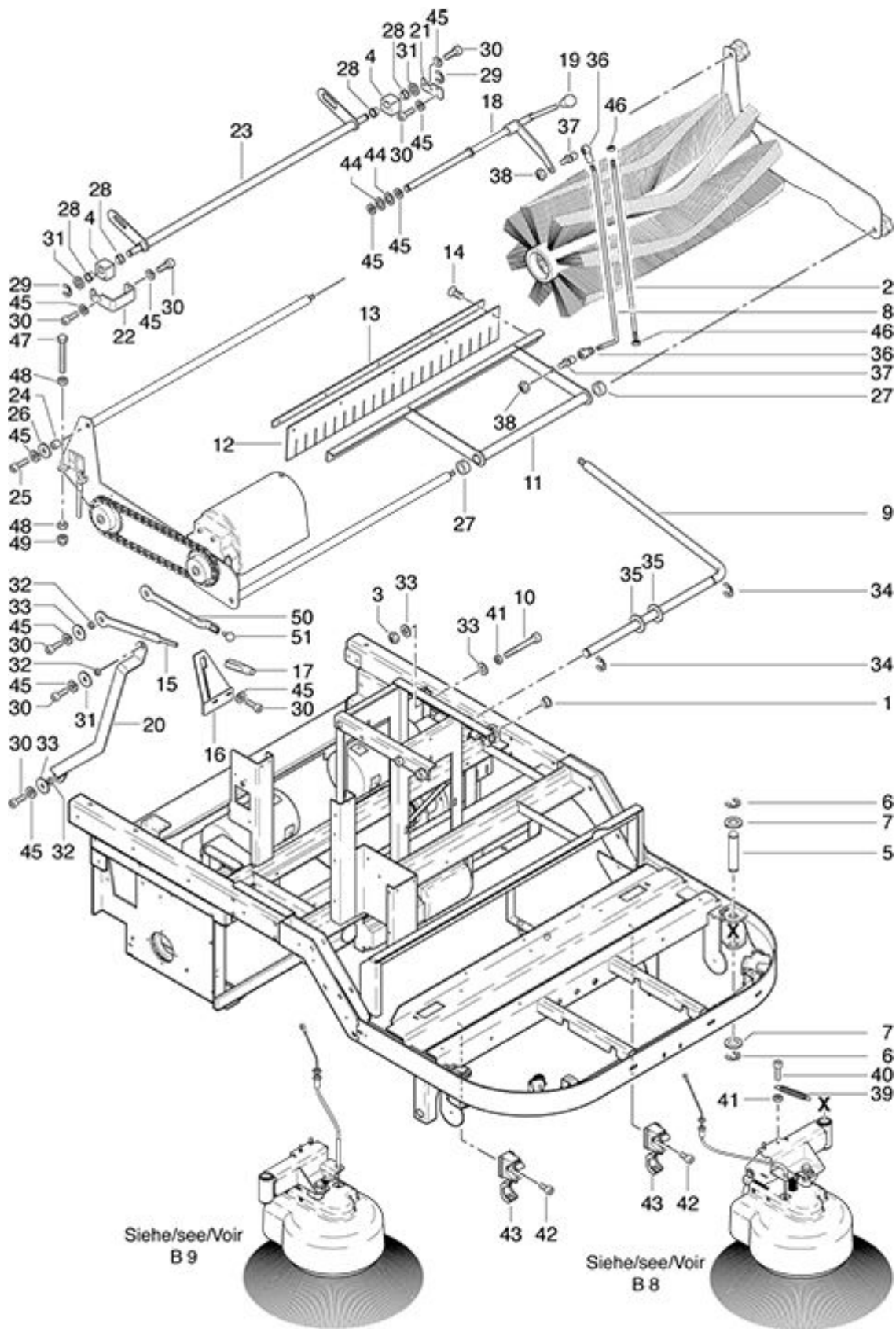
Special accessories

As at: 03/30/17 Time:14:44

Pos.	Description	Reference
01	Rotating beacon	080.201
02	Screw DIN 912 M 5x16	P...486 I
03	Nut DIN 934 M 5	P...490 C
04	BE red flashing light	800.620
05	Screw DIN 912 M8 x 25	P...487 D
06	Signal lamp holder	080.294
07	opposite disk	080.813
08	Nut DIN 934 M 8	P...490 E
09	Nut DIN 934 M 6	P...490 D
10	DIN 522 M6 6.4/25/1.5 A2 washer	P...510 L
11	Framework to license plate	800.924
12	DIN 933 M6x20 A2 nut	P...472 T
13	Warning triangle with holder	800.923
14	Sk Etiquette speed 10 km	800.922
15	Conversion kit lamp	080.130
16	Cable Harness high beam 1mm2	080.729
17	Pilot lamp 170	080.135
18	bulb 24V	080.136
19	Lamp holder	080.287
20	White 24V tumbler switch	P...241
21	Screw DIN 912 M 10x20	P...487 H
22	Rotating light kit, items 1-3, 5-8, 20,25,28	080.295
23	Flashing light kit, item 2-4, 5-8, 20,25,28	080.296
24	Nombre plaque kit, point 9-12	080.297
25	Cable Harness indicator light	080.740
26	Cat's Eye	080.299
27	Set Accessories, Pos 24,13,26	080.925
28	Natural Cable Holder	P...360
29	Light bulb 24 V 20 W	080.137

KS 1100 B
Travel drive and diverses-1a

As at: 03/30/17 Time:14:43



KS 1100 B

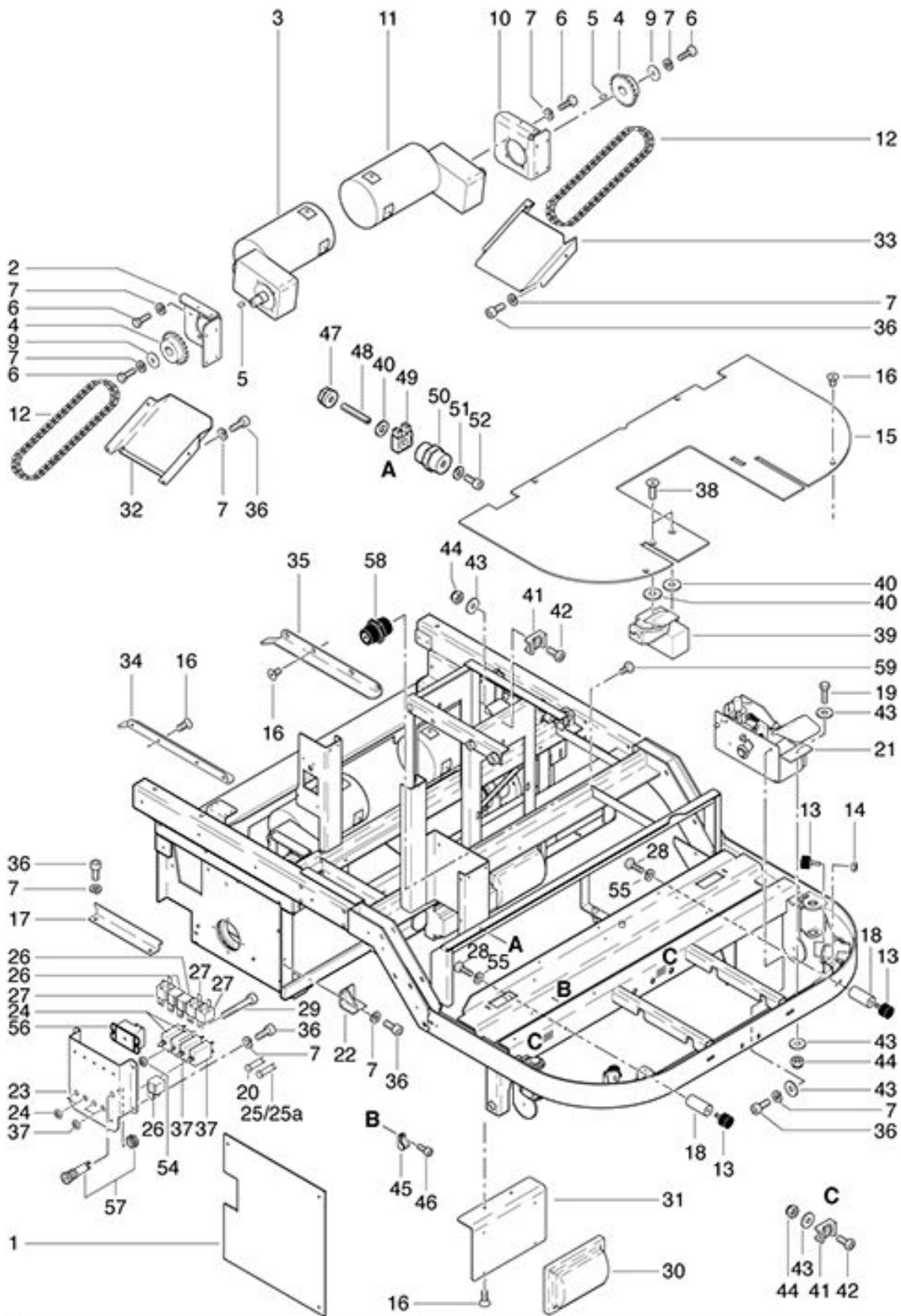
Travel drive and diversives-1a

As at: 03/30/17 Time:14:43

Pos.	Description	Reference
26	Washer DIN 522 M 6 6,4/25/1,5 A2	P...510 L
27	Ring DIN 705 A 20/32/14	432.065
28	Permaglide sleeve 14/16/22	P...321 B
29	DIN 6799 12/23.4/1.3 washer	P...500 P
30	Screw DIN 912 M 6x14	P...486 QA
31	Washer DIN 125A M 12 13/24/2,5	P...510 J
32	Bearing bushing	080.203
33	Washer DIN 9021 M 6 6,4/18/1,6 A2	P...497 H
34	DIN 6799 Ø7 washer	P...513 P
35	Washer DIN 433 M 10 10,5/18/1,6 A2	P...500 S
36	Ball cups with snap ring mold 13	P...512 C
37	Ball stud with threaded 13/sw.11	P...512 D
38	Nut DIN 985 M 8	P...492 H
39	Tension spring RZ-115V-32x1,5/12/52,13	080.332
40	DIN 912 M6x20 screw	P...486 P
41	Nut DIN 934 M6	P...490 D
42	Screw DIN 912 M 5x8	P...488 E
43	PMA Clip, NW 12	P...571 F
44	Ring BN 739 16/22/2	P...496 AB
45	Ring DIN 127 B M 6 6,1/11,8/1,6	P...498 U
46	Nut DIN 439 M 8	P...491 M
47	Screw DIN 933 M 8x80	P...473 J
48	Nut DIN 439 M 8	P...490 E
49	Nut DIN 1587 M 8	P...495 O
50	Lever roller brush from machine No. 9045	080.298
51	Handle M 8 from Masch. No. 9045	P...253 T

KS 1100 B
Travel drive and diversives

As at: 03/30/17 Time:14:45



KS 1100 B

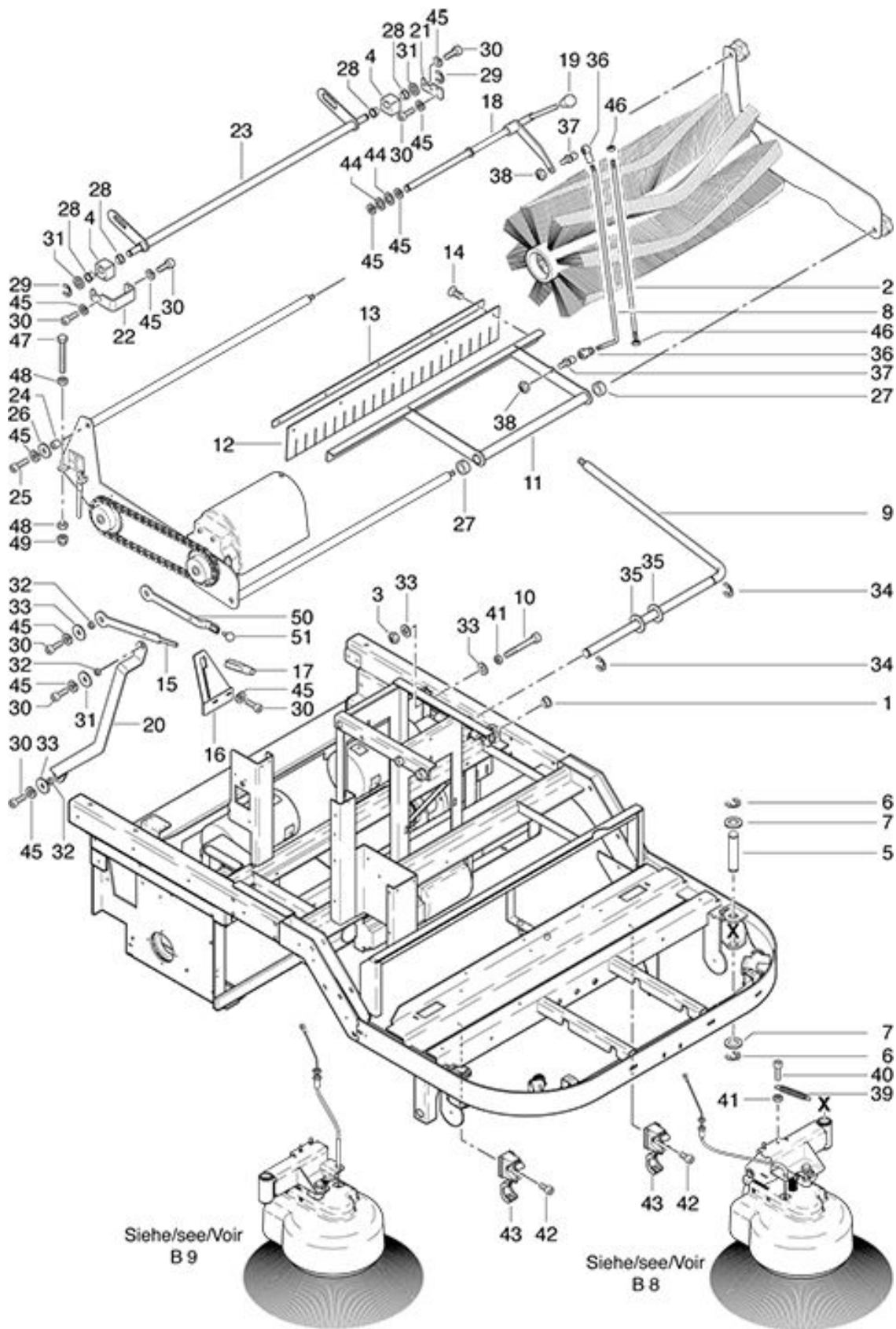
Travel drive and diversers

As at: 03/30/17 Time:14:45

Pos.	Description	Reference
01	Languette	080.121
02	Wheel bearing support	080.171
03	Single drive system	080.172
04	Sprocket	080.173
05	Key DIN 6885 6/6/14 A4	P...319 T
06	Screw DIN 933 M 6x16	P...472 S
07	Ring DIN 127 B M 6 6,1/11,8/1,6	P...498 U
09	DIN 522 M6 6.4/25/1.5 A2 washer	P...510 L
10	Wheel bearing support left	080.176
11	Single drive system	080.177
12	Chain – 86 links	080.337
13	Rubber Buffer D=30x20 M 8x20	910.149
14	Nut DIN 439 M 8	P...491 M
15	Tread plate	080.186
16	DIN 7991 M6x12 screw	P...487 U
17	Battery Holder	080.597
18	Stop Chassis	080.126
19	Screw DIN 912 M 6x25	P...488 Q
20	Blind piece	P...245
21	Brake system	080.620
22	Support	080.282
23	Motor protection switch holder	080.391
24	Motor protection switch 25A	470.355
25	CF8 fuse, 125A	800.704
25a	Fuse T 5A, 250 N	P...363 C
26	Relais 24Volt 30A	470.759
27	Relais 24Volt 20A	500.982

KS 1100 B
Travel drive and diverses-1

As at: 03/30/17 Time:14:43



KS 1100 B

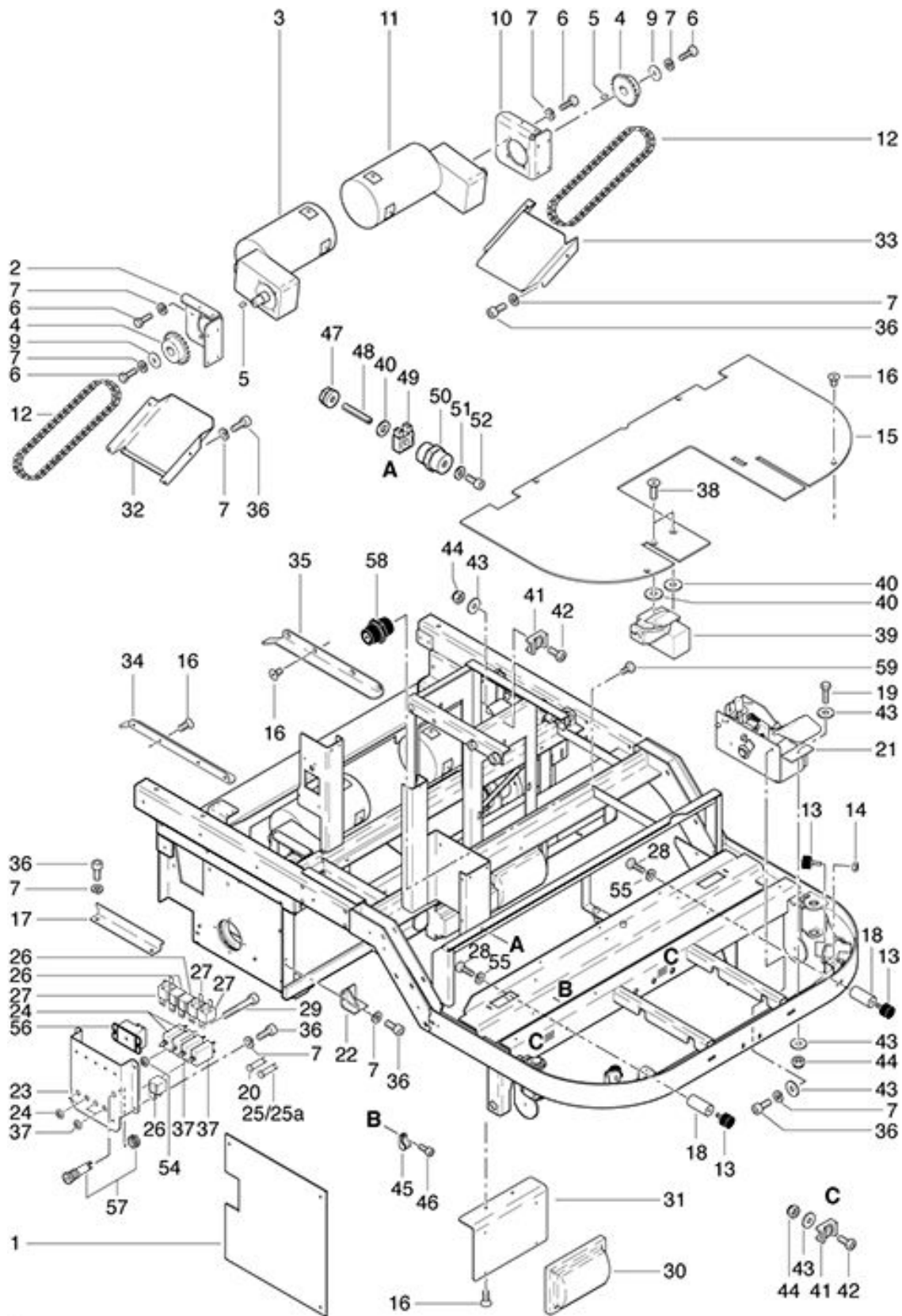
Travel drive and diversives-1

As at: 03/30/17 Time:14:43

Pos.	Description	Reference
01	Plain bearing PBG 151709F	P...316 X
02	Lift rod from machine No. 9045	080.178
03	Nut DIN 985 M6	P...493 K
04	Bearing block	080.183
05	Shaft	080.185
06	Circlip 15x1,3	P...513 HA
07	Between washer 20x32x3 mm	430.151
08	Lift rod up to machine No. 9044	080.204
09	Retaining rod	080.279
10	Screw DIN 912 M 6x50	P...488 M
11	rag holder	080.274
12	Laplanders	080.272
13	rail	080.273
14	DIN 7991 M6 x 14 screw	P...479 N
15	Lifting lever up to machine no 9044	080.290
16	Scenery metal	080.291
17	Handle Ø 22 to masch. No. 9044	P...253 P
18	Rod assy.	080.277
19	Ball Knob M 10	P...253 S
20	bracket	080.506
21	Holder 1	080.507
22	Holder	080.508
23	Coupling	080.512
24	Distance bushing	080.199
25	Screw DIN 912 M 6x25	P...488 Q

KS 1100 B
Travel drive and diverses-a

As at: 03/30/17 Time:14:44



KS 1100 B

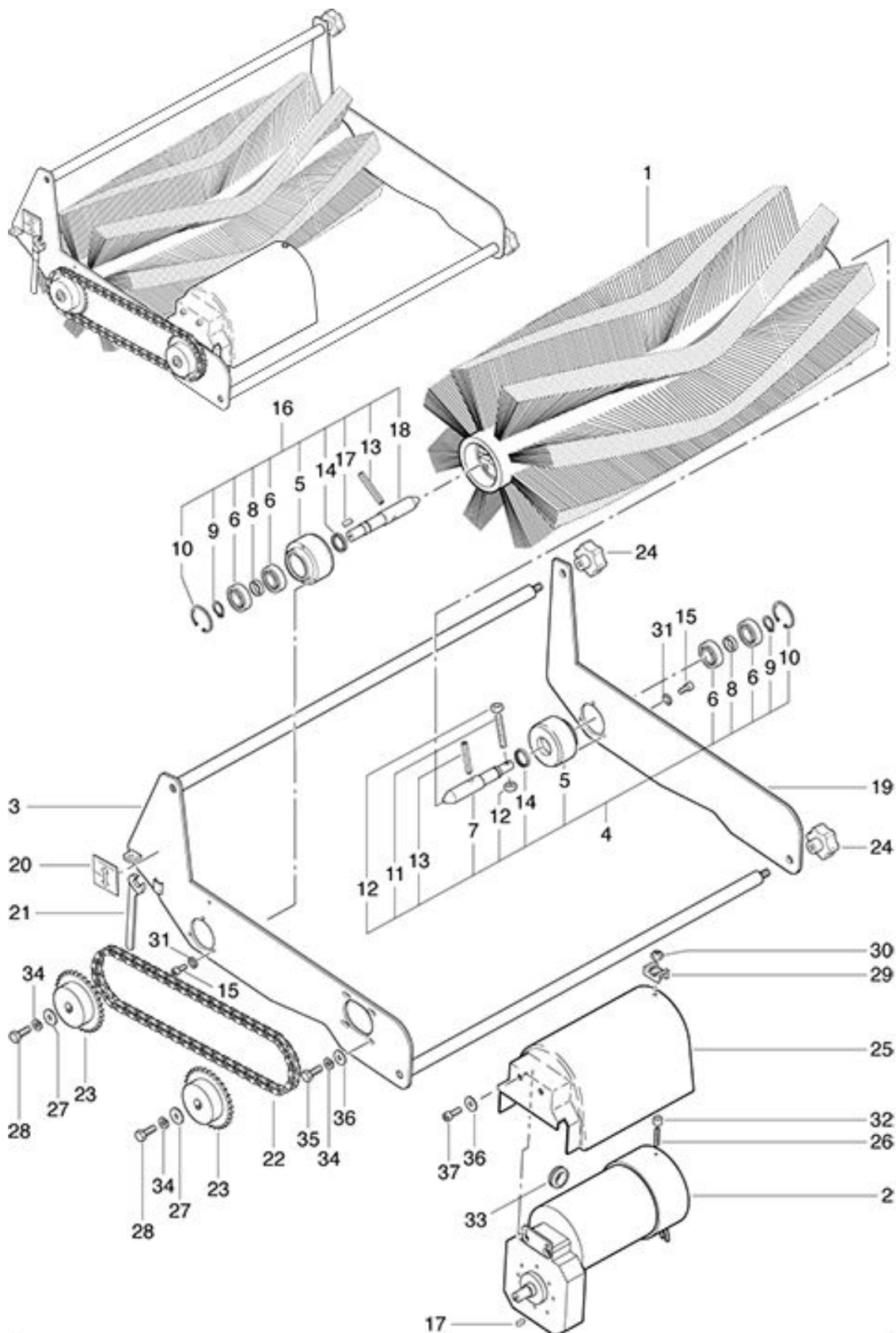
Travel drive and diverses-a

As at: 03/30/17 Time:14:44

Pos.	Description	Reference
28	Screw DIN 933 M 8x16	P...472 V
29	Screw DIN 912 M 6x45	P...488 U
30	I-drive electronics 140 amp assy.	080.280
31	Holder controlling	080.189
32	Chain protection R	080.191
33	Chain protection L	080.190
34	Leadership	080.227
35	Leadership	080.226
36	Screw DIN 912 M 6x14	P...486 QA
37	Overcurrent protective circuit breaker 12A	440.234
38	Screw DIN 7991 M 8x16	P...480 Q
39	Foot pedal with potentiometer	800.710
40	Washer DIN 433 M 10 10,5/18/1,6 A2	P...500 S
41	Cable tie mount	125.111
42	Screw DIN 7984 M6 x 10	P489P
43	Washer DIN 9021 M 6 6,4/18/1,6 A2	P...497 H
44	Nut DIN 985 M 6	P...493 K
45	PMA Client A one-piece, NW 12, sw	P...571 F
46	Screw DIN 912 M 5x8	P...488 E
47	Insulating nuts for CF8	710.353
48	Pin DIN 913 M 8x40	P...483
49	CF8 Fuse, 125 A	800.704
50	Support insulator 30mm, M8	P...366 A
51	Washer DIN 6798 M 8 8,4/15/0,8 A2	P...499 E
52	Screw DIN 7984 M 8x12	P...488 X
53	Screw DIN 912 M 5x6	P...489 C
54	Nut DIN 934 M 6	P...490 D
55	Ring DIN 127 B M 8 8,1/14,8/2	P...498 N
56	Changeover relay 24V 9 A	080.396
57	Fuse holder	P...364
58	Support insulator 20 mm M 6	P...366
59	Screw DIN 933 M 6x8	P...472 P

KS 1100 B
Brush drive

As at: 03/30/17 Time:14:46



KS 1100 B

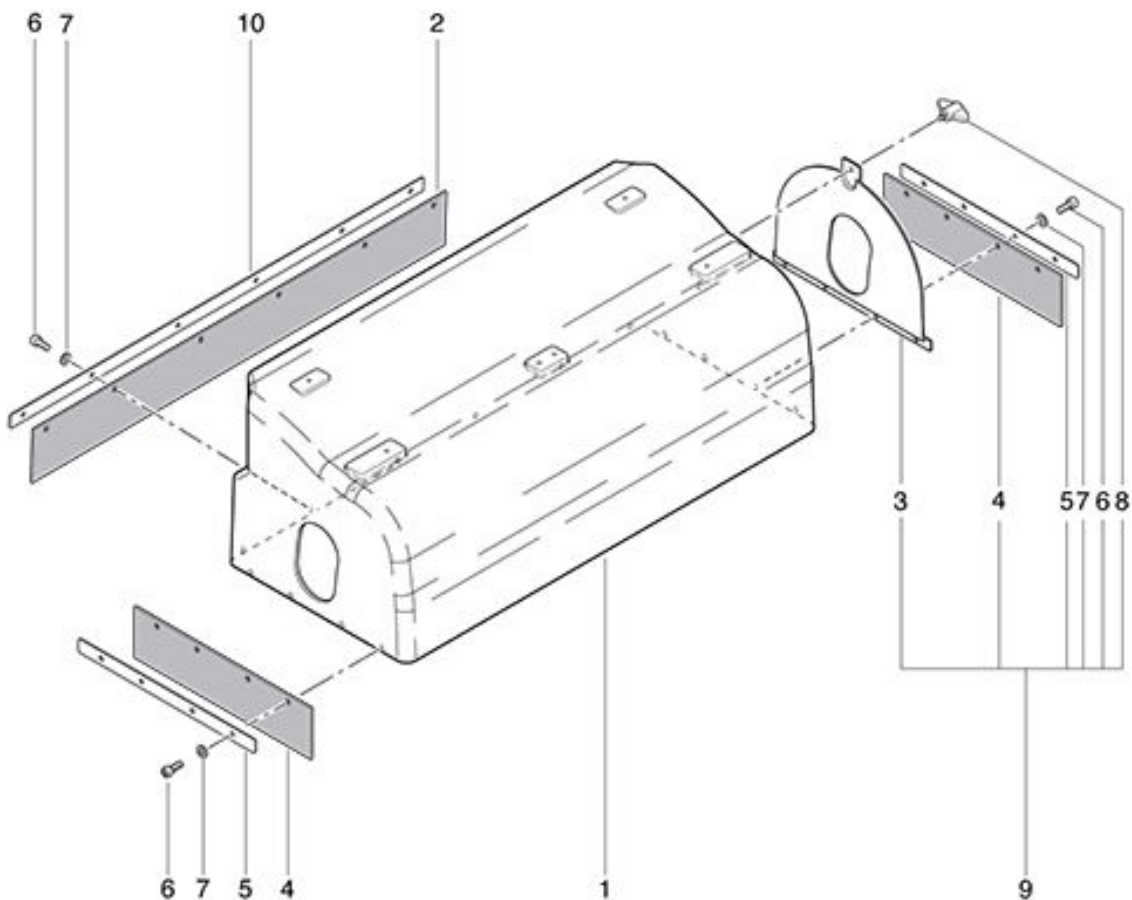
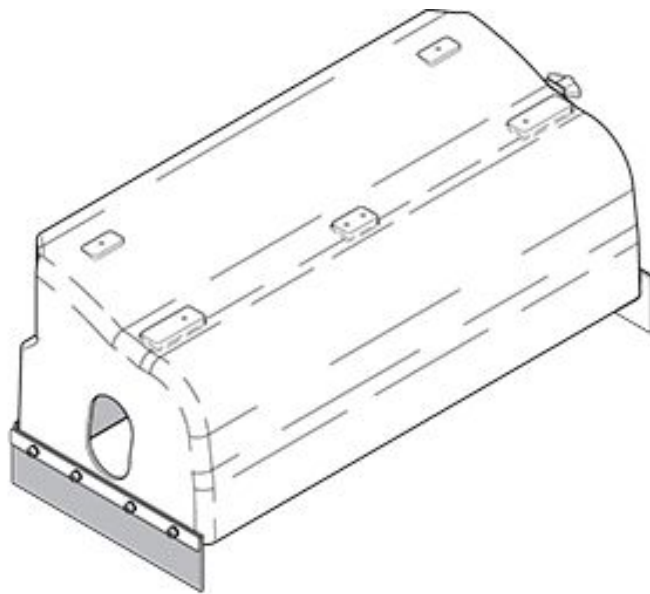
Brush drive

As at: 03/30/17 Time:14:46

Pos.	Description	Reference
01	Sweeper roller	080.501
02	Gear motor brushes	080.510
03	The right side plate	080.525
04	Complete left hand bearing unit items 4-14	080.535
05	Support	080.520
06	Ball bearing 6203 2RS	P...316 W
07	pusher dog	080.541
08	Distance ring	080.522
09	Circlip for shaft 17x1 black burnished	P...513 I
10	Circlip 40x1,75	P...513 GC
11	Threaded rod M 8 x 48	080.543
12	Hexagon nut M 8	P...490 E
13	Heavy split pin Ø 8x50	P...512 VA
14	Radial shaft sealing ring Ø 20x28x4	080.523
15	Screw DIN 912 M 5x12	P...488 E
16	Complete right hand bearing unit items 5, 6, 8-10, 13, 14, 17+18	080.515
17	Key DIN 6885 A 05/05/15	P474H
18	Wave	080.521
19	Left side panel	080.550
20	Shield	080.283
21	Flat spanner M8	P...470 K
22	Chain p = 9.525	080.555
23	Sprocket wheel motor	080.556
24	Star grip	080.560
25	Sweeper roller motor cover	080.561
26	Hexagon socket set screw M 5x25	P...513 KA
27	Car body slices INOX 6x25/1.5	P...510 L
28	Screw DIN 933 M 6x12	P...472 R
29	Cable tie holder HC-2	125.111
30	Hexagon nut DIN 985 M 5	P...492 G
31	Washer DIN 6798 M 5 5,1/9/0,5 A2	P...498 D
32	Distance bush BN 528 1 5,2 / 10/10 PA 6.6	P...509 F
33	Grommet Cable 14/8/2	P...207 A
34	Ring DIN 12 7B M 6 6,1/11,8/1,6	P...498 U
35	Screw DIN 933 M 6x16	P...472 S
36	Washer DIN 9021 M 6 6,4/18/1,6 A2	P...497 H
37	Screw DIN 912 M 6x14	P...486 QA

KS 1100 B
brush chamber up to machine no. 9044

As at: 03/30/17 Time:14:47



KS 1100 B

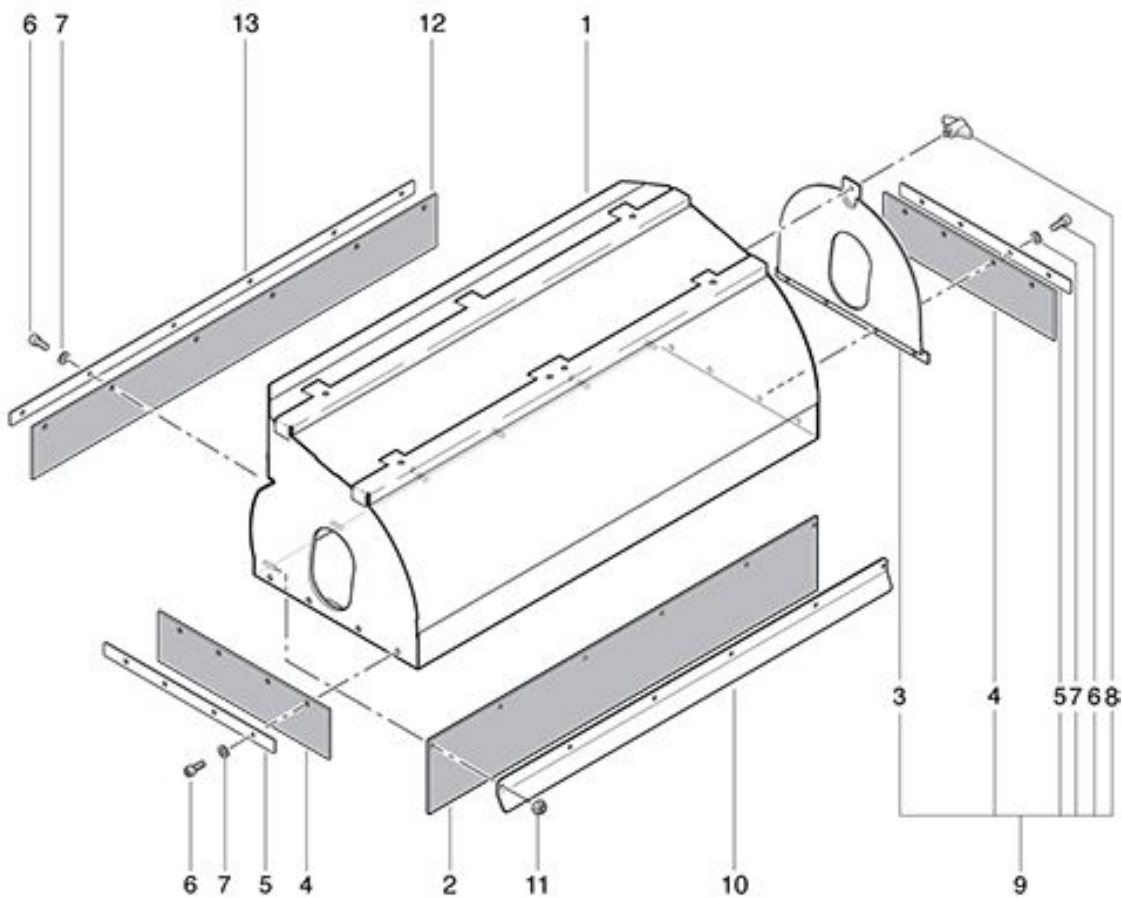
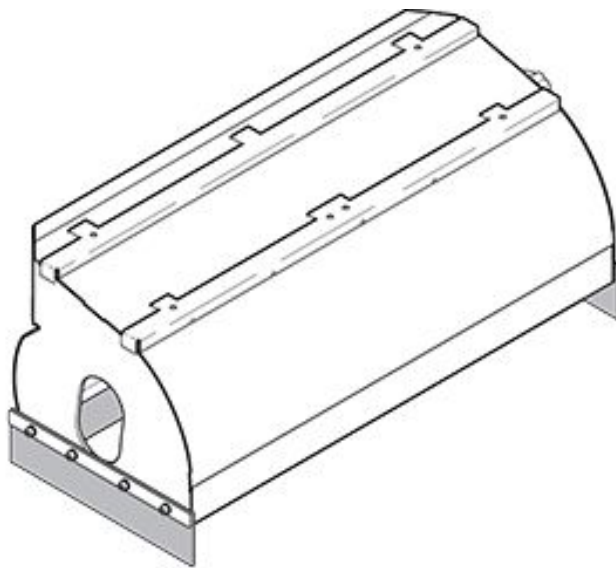
brush chamber up to machine no. 9044

As at: 03/30/17 Time:14:47

Pos.	Description	Reference
01	Brush chamber	080.401
02	Posterior lobe	080.402
03	Brush box - cover	080.405
04	Side protection	080.406
05	Rail	080.407
06	Screw DIN 912 M 4x8 A4	P...488 D
07	Washer DIN 125-A M 6 6,4/12/1,6 A2	P...497 K
08	Wing screw M 6 black	P...253 R
09	Brush chamber cover item 3, 4, 5, 6, 7, & 8	080.403
10	Large rail	080.412

KS 1100 B
brush chamber as from machine no. 9045

As at: 03/30/17 Time:14:47



KS 1100 B

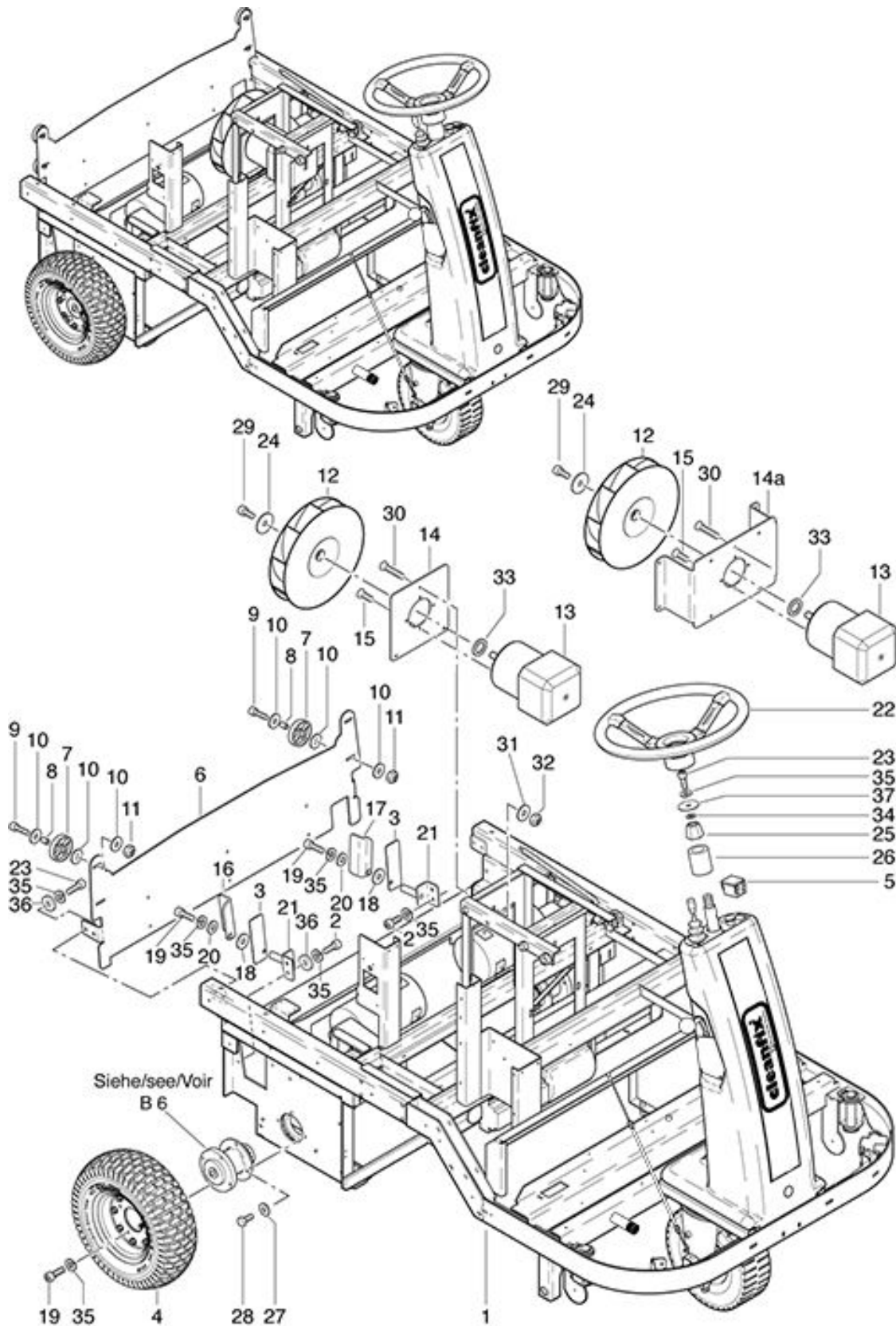
brush chamber as from machine no. 9045

As at: 03/30/17 Time:14:47

Pos.	Description	Reference
01	Steel chamber brush	080.401
02	Posterior lobe	080.413
03	Brush box - cover	080.405
04	Side protection	080.406
05	Rail	080.407
06	Screw DIN 912 M 4x8 A4	P...488 D
07	Washer DIN 125-A M 6 6,4/12/1,6 A2	P...497 K
08	Wing screw M 6 black	P...253 R
09	Brush chamber cover item 3, 4, 5, 6, 7, & 8	080.403
10	Large rail	080.414
11	Nut DIN 985 M 5	P...492 G
12	Posterior lobe	080.402
13	Large rail	080.412

KS 1100 B
Lower machine component

As at: 03/30/17 Time:14:48



KS 1100 B

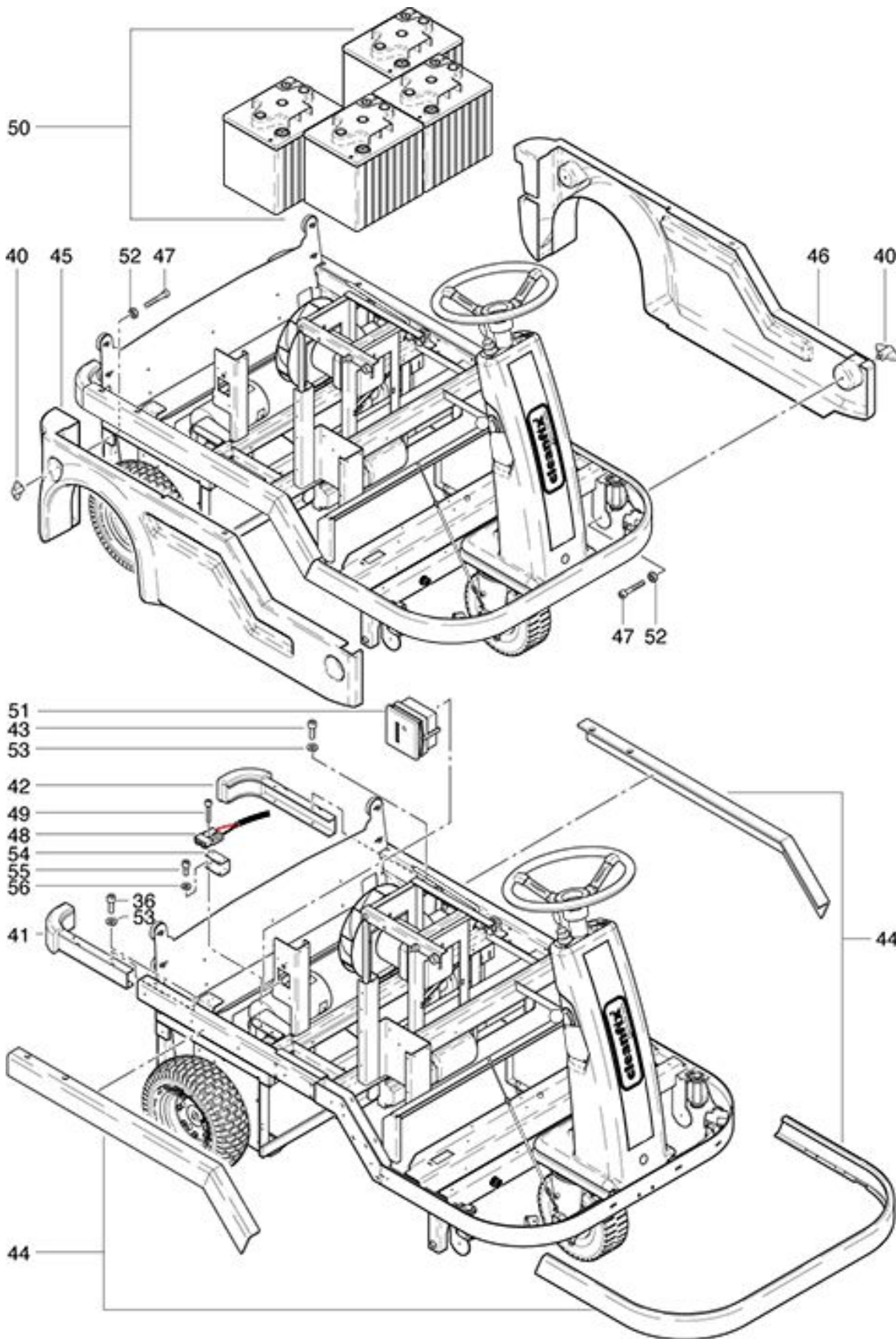
Lower machine component

As at: 03/30/17 Time:14:48

Pos.	Description	Reference
01	Chassis	080.120
02	DIN 912 M8x20 screw	P...487 B
03	Protective plate	080.246
04	Rear wheel	080.281
05	Blind piece	P...245
06	Column filter module	080.651
07	Role 40 x 10	400.521
08	Spacer bushing 8/5.5x10.5mm	400.522
09	Screw DIN 912 M 5x25	P...488 K
10	Washer DIN 9021 M5 5,3/15/1,2 A2	P...497 E
11	Hexagon nut DIN 985 M 5	P...492 G
12	Fan wheel with hub	080.251
13	Blower motor	080.253
14	Bride up to Masch.Nr.9240	080.214
14a	Flange as from Masch.Nr.9241	080.314
15	Screw DIN 7991 M 6x12	P...487 U
16	Bolt right	080.197
17	Bolt left	080.194
18	Washer DIN 9021 M8 8,4/24/2 A2	P...497 T
19	DIN 912 M8x25 screw	P...487 D
20	Washer DIN 125-A M 8 8,4/16/1,6	P...496 P
21	Holder	080.248
22	Steering wheel	800.328
23	DIN 912 M8x20 screw	P...487 B
24	DIN 522 M6 6,4/25/1.5 A2 washer	P...510 L
25	Conus worked	800.330
26	Protection	080.286
27	Washer DIN 127 B M6 6.1 / 11.8 / 1.6	P...498 U
28	Screw DIN 933 M 6x12	P...472 R
29	DIN 912 M6x12 screw	P...486 Q
30	Screw DIN 965 M 6x20	P...480 H
31	Washer DIN 9021 M 6 6,4/18/1,6 A2	P...497 H
32	Hexagon nut DIN 985 M 6	P...493 K
33	Ring BN 739 14/18/2	P...496 AE
34	Washer DIN 125 M 8 8,4/16/1,6	P...496 P
35	Ring BN 739 14/18/2	P...498 N
36	Washer DIN 7349 M 8 8,4/21/4	P...495 Z
37	Washer DIN 522 M 8 8,4/35/2,5	P...496 PA

KS 1100 B
Lower machine component-1

As at: 03/30/17 Time:14:49



KS 1100 B

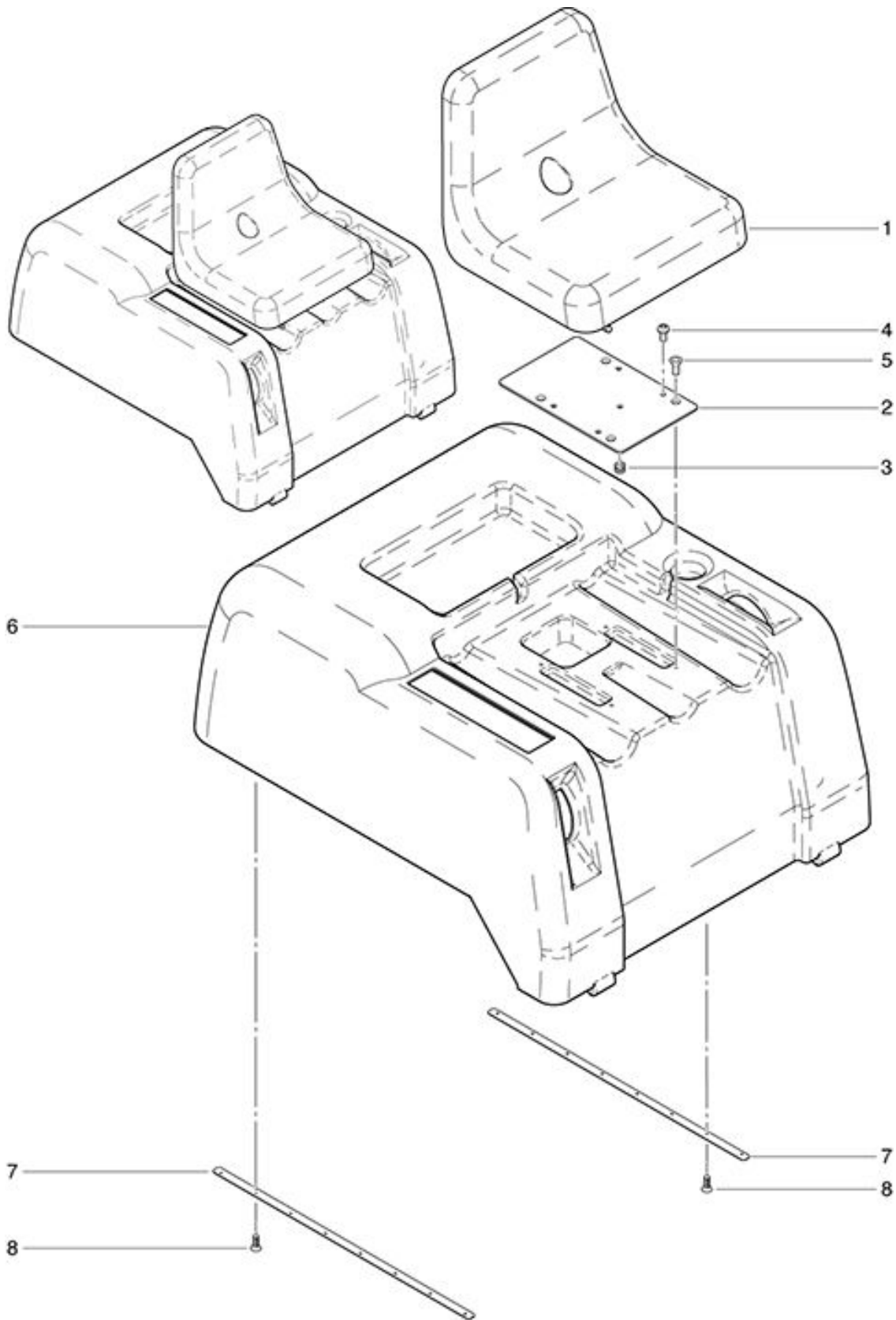
Lower machine component-1

As at: 03/30/17 Time:14:49

Pos.	Description	Reference
40	Wing nut M 6 black	P...253 Q
41	Bumper right	080.450
42	Bumper left	080.440
43	Screw DIN 912 M 8x16	P...489 I
44	Right side protection	080.196
45	Right side protection	080.218
46	Left side protection	080.209
47	Screw DIN 912 M 6x25	P...488 Q
48	Charging socket	710.657
49	Screw DIN 84 M 4x25	P...477 H
50	4 gel batteries at 6V/180Ah	701.091
51	Hours counter	800.703
52	Nut DIN 934 M 6	P...490 D
53	Washer DIN 127 B M 8 8,1/14,8/2	P...498 N
54	Charging plug holder	080.755
55	Screw DIN 912 M 6x14	P...486 QA
56	Ring DIN 127 B M 6 6,1/11,8/1,6	P...498 U

KS 1100 B
Machine cover

As at: 03/30/17 Time:14:50



KS 1100 B

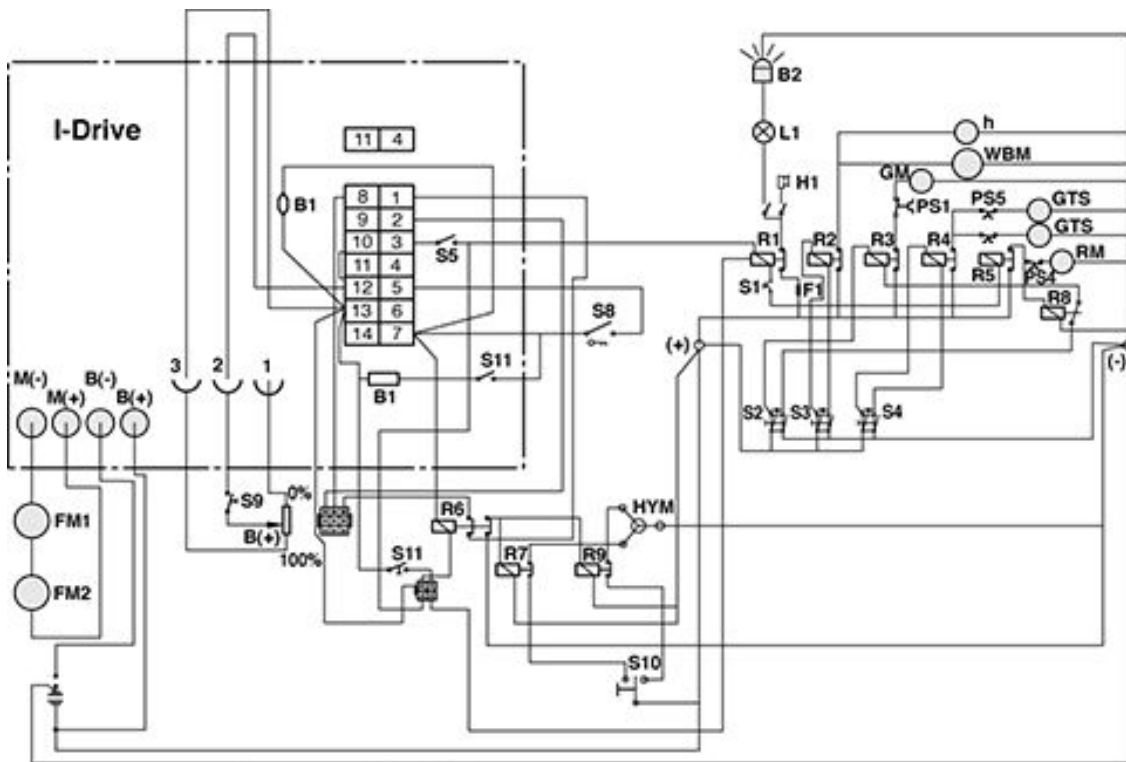
Machine cover

As at: 03/30/17 Time:14:50

Pos.	Description	Reference
01	Seat	080.585
02	Seat plate	080.594
03	Grommet	080.596
04	ISO 7380 M8x16 screw	P...467 R
05	DIN 7991 M8x16 A2 screw	P...480 Q
06	Battery cover	080.583
07	Strengthening cover	080.586
08	Srew WN 1413 KA 40x10	P...516 CA

KS 1100 B Wiring diagram

As at: 03/30/17 Time:14:50



- R1 = Relais Rüttlermotor
- R2 = Walzenbürstenmotor
- R3 = Gebläsemotor
- R4 = Relais Seitenbesenmotor
- R5 = Wechsler-Relais Rüttlermotor
- R6 = Relais für Hydraulikfreischaltung von Sitzkontakt
- R7 = Hydraulik einfahren
- R8 = Relais Abschaltung Sauggebläse bei Rüttlerbetätigung
- R9 = Hydraulik ausfahren
- F1 = Feinsicherung
- S1 = Taster Rüttlermotor
- S2 = Schalter Saugmotor
- S3 = Walzenbürste
- S4 = Seitenbesen
- S5 = Sitzschalter
- S7 = Hauptschalter
- S8 = Schlüsselschalter
- S10 = Schalter Hydraulik einfahren/ausfahren
- S11 = Kippschalter Fahrtrichtung
- PS1 = Motorschutzschalter Gebläse 25A
- PS2 = Motorschutzschalter Walzenbürste 25A
- PS3 = Motorschutzschalter Hochentleerung 25A
- PS4 = Motorschutzschalter Rüttlermotor 12A
- PS5 = Motorschutzschalter Seitenbesen 12A
- WBM = Walzenbürstmotor
- GM = Gebläsemotor
- h = Stundenzähler
- RM = Rüttlermotor
- GTS = Getriebemotor Seitenbesen
- HS = Hauptsicherung
- FM1 = Fahrmotor rechts
- FM2 = Fahrmotor links
- HYM = Hydraulikmotor
- B1 = Batterieanzeige
- H1 = Horn
- B2 = Blitzleuchte
- L1 = Frontlicht

KS 1100 B

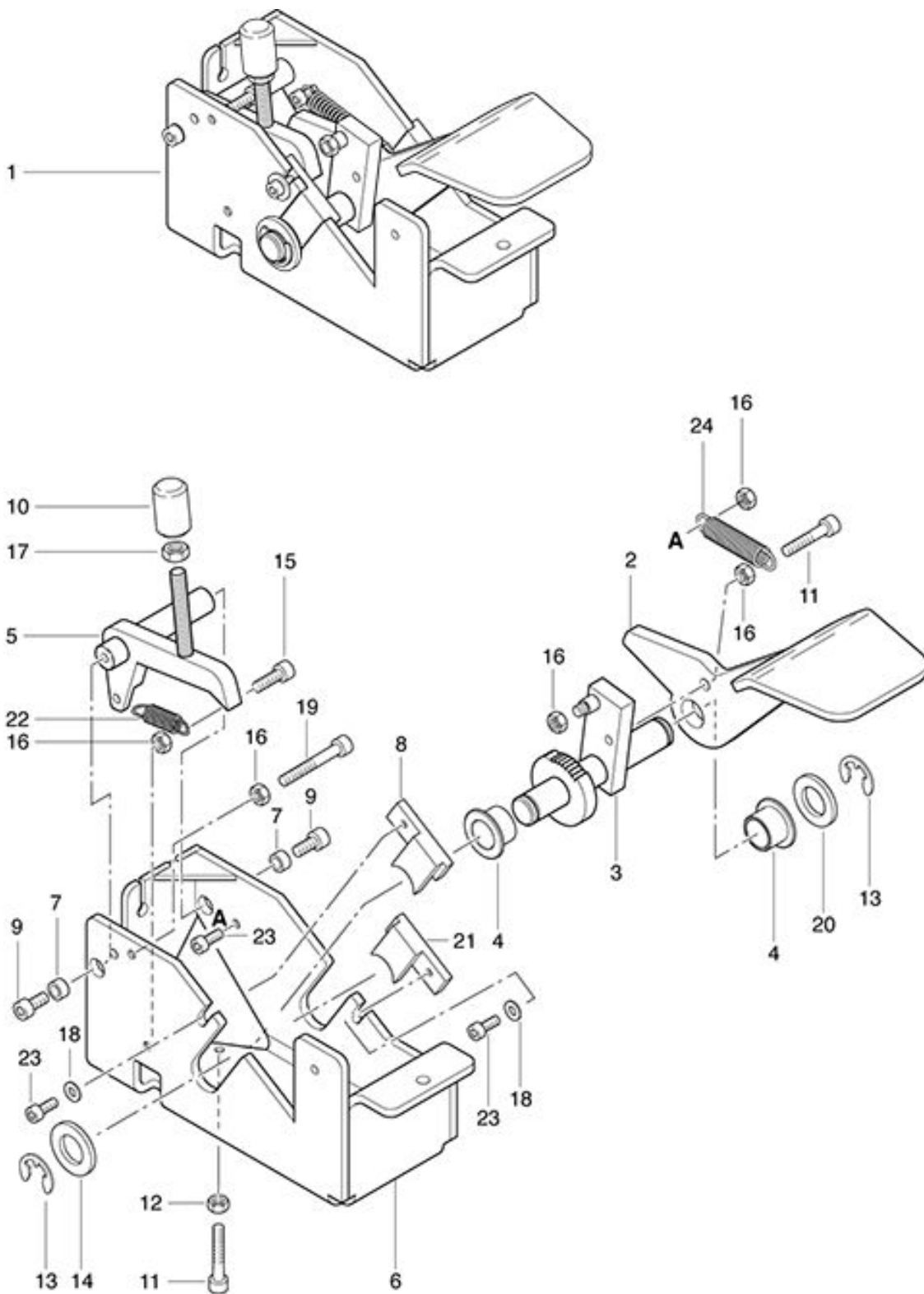
Wiring diagram

As at: 03/30/17 Time:14:50

Pos.	Description	Reference
B 1	Battery indicator	080.708
B 2	BE red flashing light	800.620
F 1	Fuse	P…245
FM 1	Driving motor right	080.172
FM 2	Driving motor left	080.177
GM	blower motor	080.253
GTS	Gear motor SB	080.335
h	hourmeter	800.703
H 1	Horn	080.535
HS	Main fuse	800.704
HYM	Hydraulic motor	080.839
L 1	Front light	080.135
PS 1	Fan motor circuit breaker 25A	470.355
PS 2	Motor protection switch roller brush 25A	470.355
PS 3	Motor protection switch 25A for high emptying	470.355
PS 4	Motor protection switch 12A vibrator motor	440.234
PS 5	Motor protection side brush 12A	440.234
R 1	Vibrator motor relay	500.982
R 2	Rollers brush motor	470.759
R 3	Blower motor	470.759
R 4	Side brush motor relay	500.982
R 5	Changeover relay vibrator motor	080.396
R 6	Relay for hydraulic isolation switch from the seat contact	080.392
R 7	retract hydraulic	470.759
R 8	Relay off at aspirator Rüttlerbetätigung	080.396
R 9	extend hydraulic	470.759
RM	vibrator motor	080.235
S 1	button Rüttlermotor	P...243 A
S 10	Switch hydraulic retract / extend	P...243 A
S 11	Toggle switch for direction of travel	800.515
S 2	Suction motor switch	P...241
S 3	roller brush	P...241
S 4	side broom	P...241
S 5	seat switch	keine Nr.
S 7	main switch	710.613
S 8	Key lock	P…244 A
WBM	Gear motor brushes	080.510

KS 1100 B Brake system

As at: 03/30/17 Time:14:51



KS 1100 B

Brake system

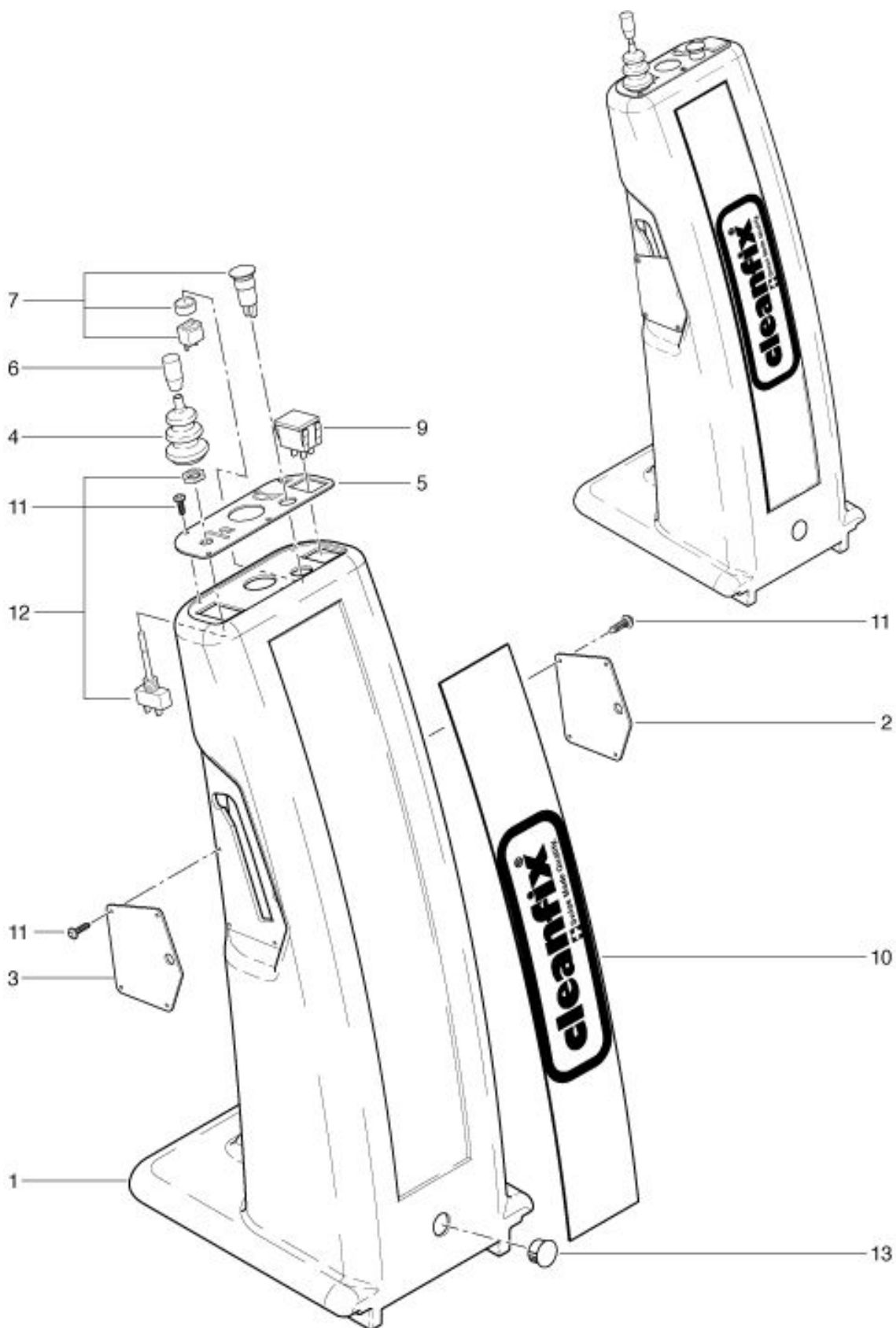
As at: 03/30/17 Time:14:51

Pos.	Description	Reference
01	Total braking system	080.620
02	Foot brake lever	080.644
03	pusher dog	080.621
04	Sleeve bearing flange	800.231
05	Lever	080.631
06	Holder Foot pedal	080.640
07	Distance ring	080.641
08	Fixed halter left	800.241
09	Screw DIN 912 M 6x14	P...486 QA
10	Pin with internal thread	080.643
11	Screw DIN 912 M 6x30	P..488 S
12	Hexagon nut DIN 934 M 6	P...490 D
13	Washer DIN 6799 12/23,4/1,3	P...500 P
14	Washer M 16/17/30/3	P...510 N
15	Screw DIN 912 M 6x16	P...488 P
16	Hexagon nut DIN 934 M 6	P...490 D
17	Hexagon nut DIN 934 M 8	P...490 E
18	Washer DIN 125 A M 5 5,3/10/1	P...496 H
19	Screw DIN 912 M 6x45	P...488 U
20	Washer DIN 433 M 16 17/28/2,5	P...500 R
21	Fixed halter right	800.242
22	Train feathe RZ-115NI 1,4/10,0/23,1	080.647
23	Screw DIN 912 M 5x12	P...488 B
24	Train feather RZ-126 I 1,6/11,6/40,8	080.642

KS 1100 B

Access cover steering up to machine no. 9049

As at: 03/30/17 Time:14:52



KS 1100 B

Access cover steering up to machine no. 9049

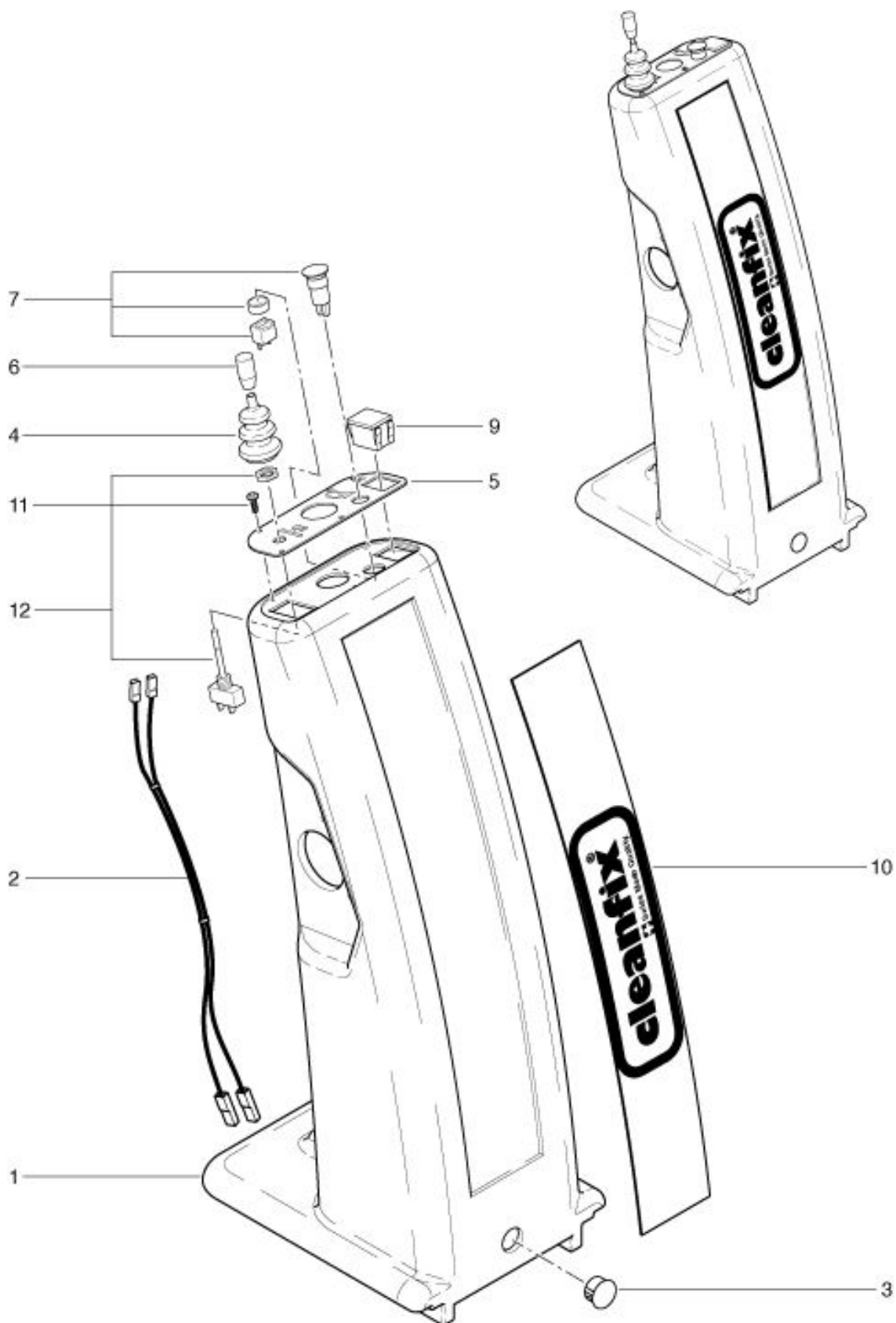
As at: 03/30/17 Time:14:52

Pos.	Description	Reference
01	Access cover steering	080.613
02	Cover left	080.562
03	Cover right	080.559
04	Protection bellows	800.520
05	Control panel	080.616
06	Cylinder handle bar	800.521
07	Press button yellow	800.527
09	Blind piece	P...245
10	Cover plate	080.219
11	Screw WN 1452 K30x10 A2	P...515 Q
12	Rocker arm lever with nut	800.515
13	Cover cap Ø 25,5 mm	P...171 A

KS 1100 B

Access cover steering as from machine no. 9050

As at: 03/30/17 Time:14:52



KS 1100 B

Access cover steering as from machine no. 9050

As at: 03/30/17 Time:14:52

Pos.	Description	Reference
01	Access cover steering	080.613
02	Cable harness high beam 1mm ²	080.729
03	Cover cap Ø 25,5 mm	P...171 A
04	Protection bellows	800.520
05	Control panel	080.616
06	Cylinder handle bar	800.521
07	Press button yellow	800.527
09	Blind piece	P...245
10	Cover plate	080.219
11	Screw WN 1452 K30x10 A2	P...515 Q
12	Rocker arm lever with nut	800.515

KS 1100 B

Steering column assembly

As at: 03/30/17 Time:14:52

Pos.	Description	Reference
01	Steering mounting	080.301
02	drag link flasque	080.302
03	Universal joint compl.	800.315
04	Nut DIN 985 M 8	P...492 H
05	Screw DIN 916 M 8x20	P...482 XA
06	Permaglide sleeve 25-38-15	P...321 C
07	Steering unit	080.304
08	Permaglide sleeve 30-34-16	P...321 A
09	Steering column assembly	080.307
10	Distance sleeve	080.308
11	Wheel axle	080.309
12	Brake	080.310
13	Distance sleeve	080.311
14	Shaft with sprocket	080.312
15	Ring DIN 471 25	P...513 D
16	Adjusting washer DIN 988 25 x 35 x 1	P...099
17	Holder	080.316
18	Chain	080.320
19	M8 Washer DIN 6798 8,4 / 15/0, 8 A2	P...499 E
20	Screw DIN 912 M 5x12	P...488 B
21	Washer DIN 125 M6 6.4 / 12/1,6	P...497 K
22	Front wheel	080.321
23	Screw DIN 933 M10x16	P...472 W
24	Signal horn 24V	800.535
25	Screw DIN 912 M 6x22	P...486 X
26	Nut DIN 985 M 6	P...493 K
27	DIN 7985 M5x25 screw	P...476 H
28	Spacer bushing	438.463
29	pulley	438.464
30	Washer M 5 / 5,3/15/1,2	P...496 G
31	Cable guide	080.358
32	Retaining Ring	P...512 VB
33	Brake cable	080.324
34	Spacer bushing	080.306
35	Washer DIN 9021 M8/8.4/24/2	P...496 Q
36	DIN 912 M8x20 screw	P...487 B
37	Grease nipple straight	800.194
38	Screw DIN 7984 M8x12	P...488 X
39	slide block	080.318
40	Bushing to pivot pin	800.211
41	DIN 912 M6 x 40 screw	P...486 Y
42	Washer 6 M 6.4/18/1.6	P...496 L
43	Washer DIN 9021 M6 6.4 / 18/1,6	P...497 H
44	PVC CV-7 fastening clamp	P...281

45 Screw DIN 912 M 5x8

P...488 E

46 Ring DIN 127B M8 8,1/14,8/2

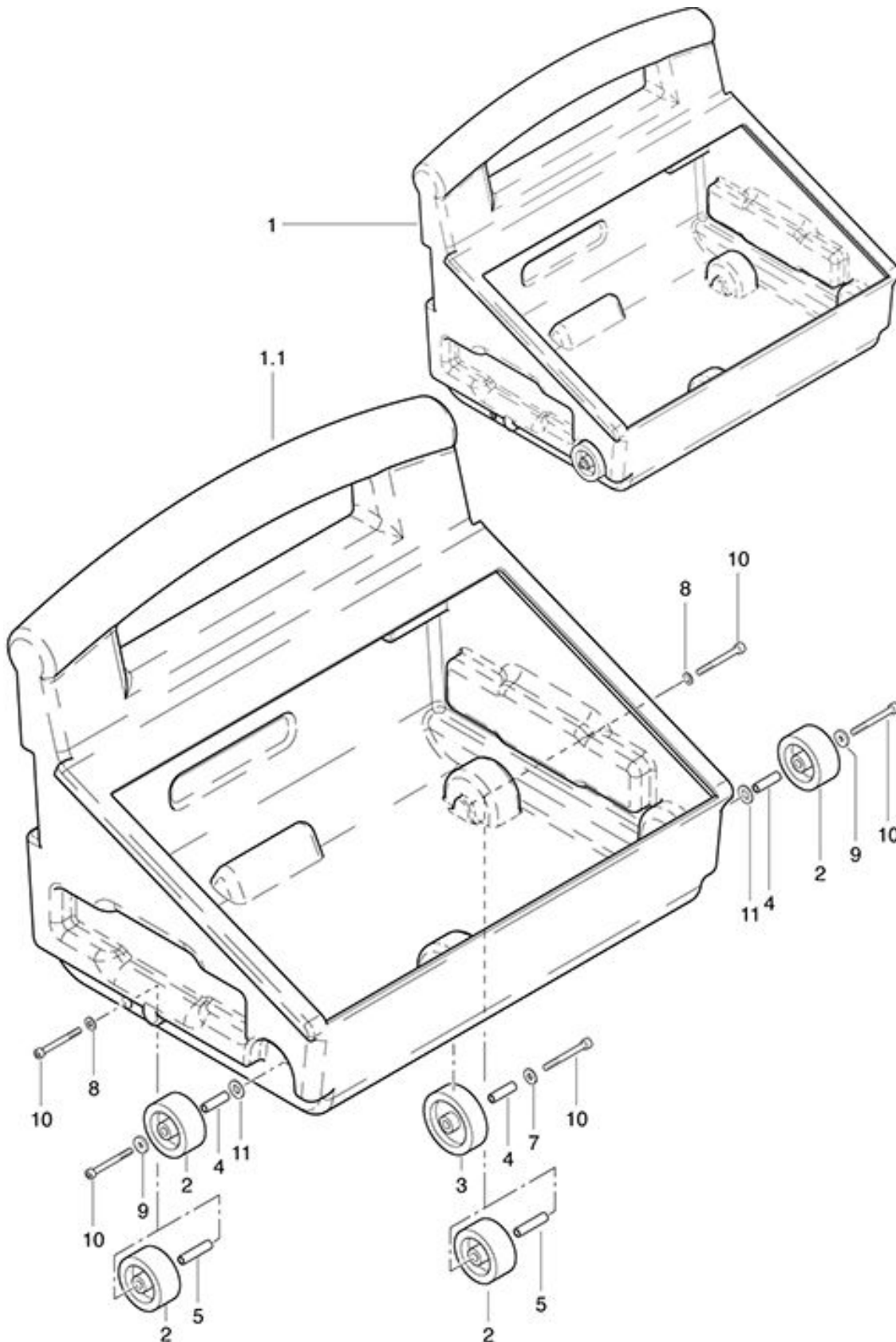
P...498 N

47 Ring DIN 127B M6 6,1/11,8/1,6

P...498 U

KS 1100 B
dirt bucket

As at: 03/30/17 Time:14:53



KS 1100 B

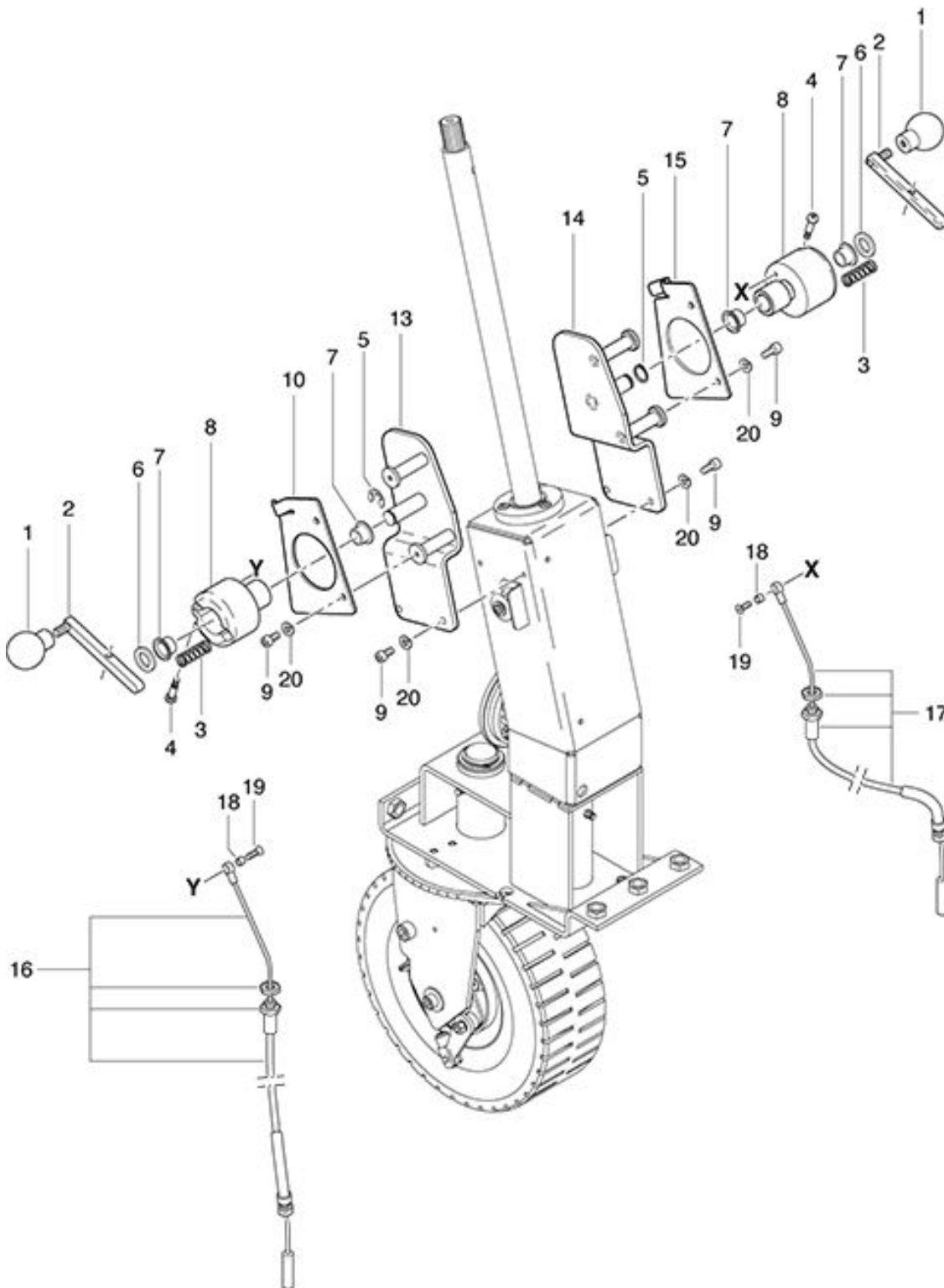
dirt bucket

As at: 03/30/17 Time:14:53

Pos.	Description	Reference
01	dirt bucket completely	080.260
01.1	dirt container	080.269
02	Wheel Ø 65, b30, Ø10	080.261
03	Wheel Ø 75, b23, Ø8	530.136
04	Wave dirt tank	080.263
05	Shaft side gear	080.264
07	Washer DIN 9021 M 6 6,4/18/1,6 A2	P...497 H
08	Washer DIN 125-A M 6 6,4/12/1,6 A2	P...497 K
09	Washer SN 213912 M 6 18/4,8	P...500 Q
10	Screw DIN 965 M 6x50	P...479 SA
11	Washer DIN 6799 9/18,8/1,1 A2	P...500 L

KS 1100 B
Side brush to lift as from machine no. 9050

As at: 03/30/17 Time:14:51



KS 1100 B - Seitenbürstenabhebung / Brosse latérale pour soulever
Side brush to lift - ab / à partir de / from Maschine Nr. 9050

B 4a-10.2013

KS 1100 B

Side brush to lift as from machine no. 9050

As at: 03/30/17 Time:14:51

Pos.	Description	Reference
01	Ball Knob	P...173 E
02	Lever compl.	080.182
03	Spring 12 x 34	080.284
04	ISO 7379 6 x 16 M5 screw	P...513 RC
05	Ring DIN 471 14/1	P...513 EB
06	Disc M 14/15/24/2,50	P...496 YA
07	Permaglide collar bushing 14/16/12	P...321 B
08	Support	080.303
09	Screw DIN 912 M 6x14	P...486 QA
10	Stop plate right	080.188
13	carrier right	080.224
14	carrier left	080.198
15	Stop plate left	080.188
16	Bowden wire single brush right 960 mm	080.271
17	Bowden wire single brush right 1000 mm	080.262
18	Bushing	080.288
19	Srew ISO 14581 M5 x 12	P...517GA
20	Ring DIN 127 B M6, 6,1/11,8/1,6	P...498 U