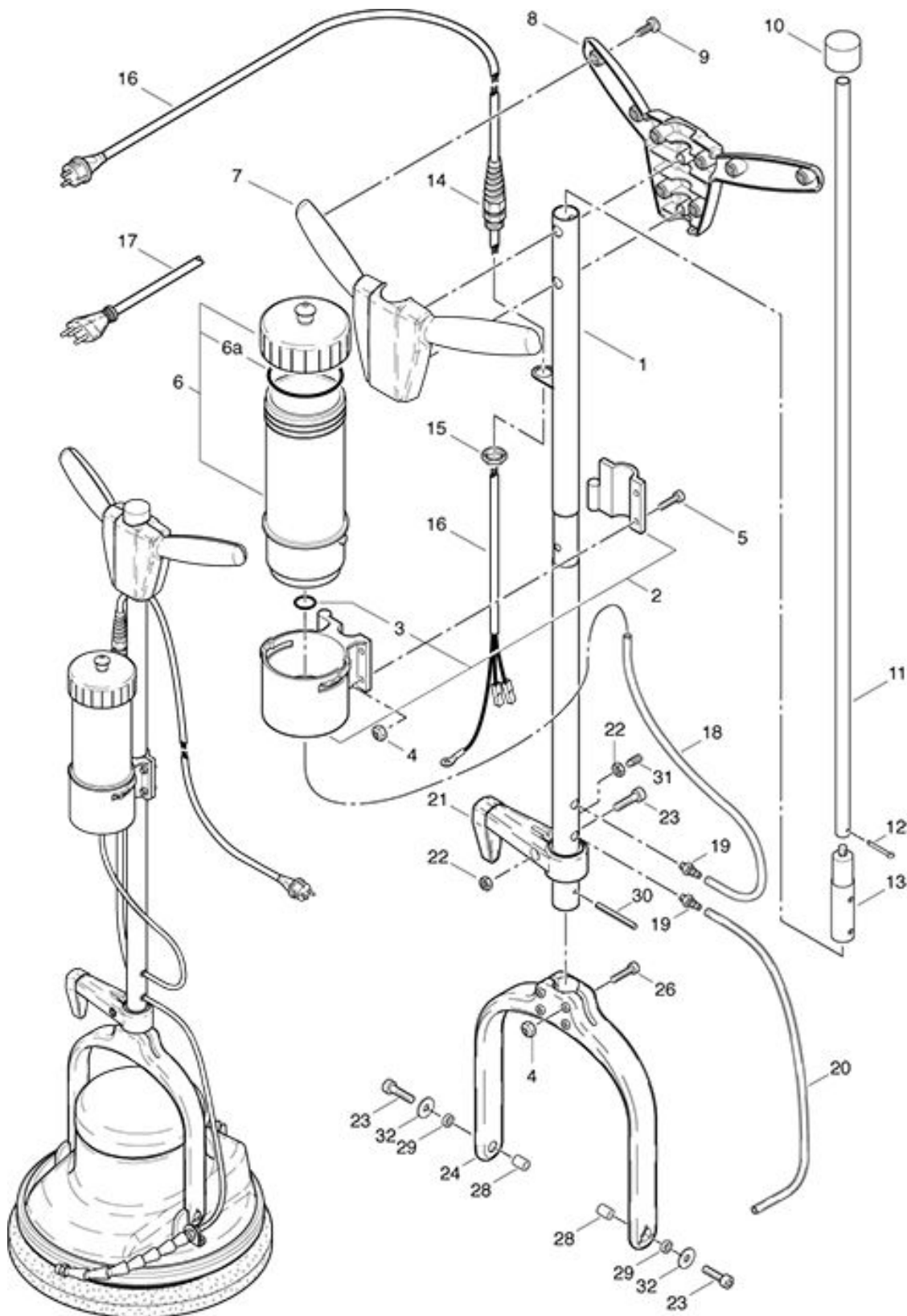


Floor Mac
Handle compl.

As at: 03/29/17 Time:14:27



Floor Mac

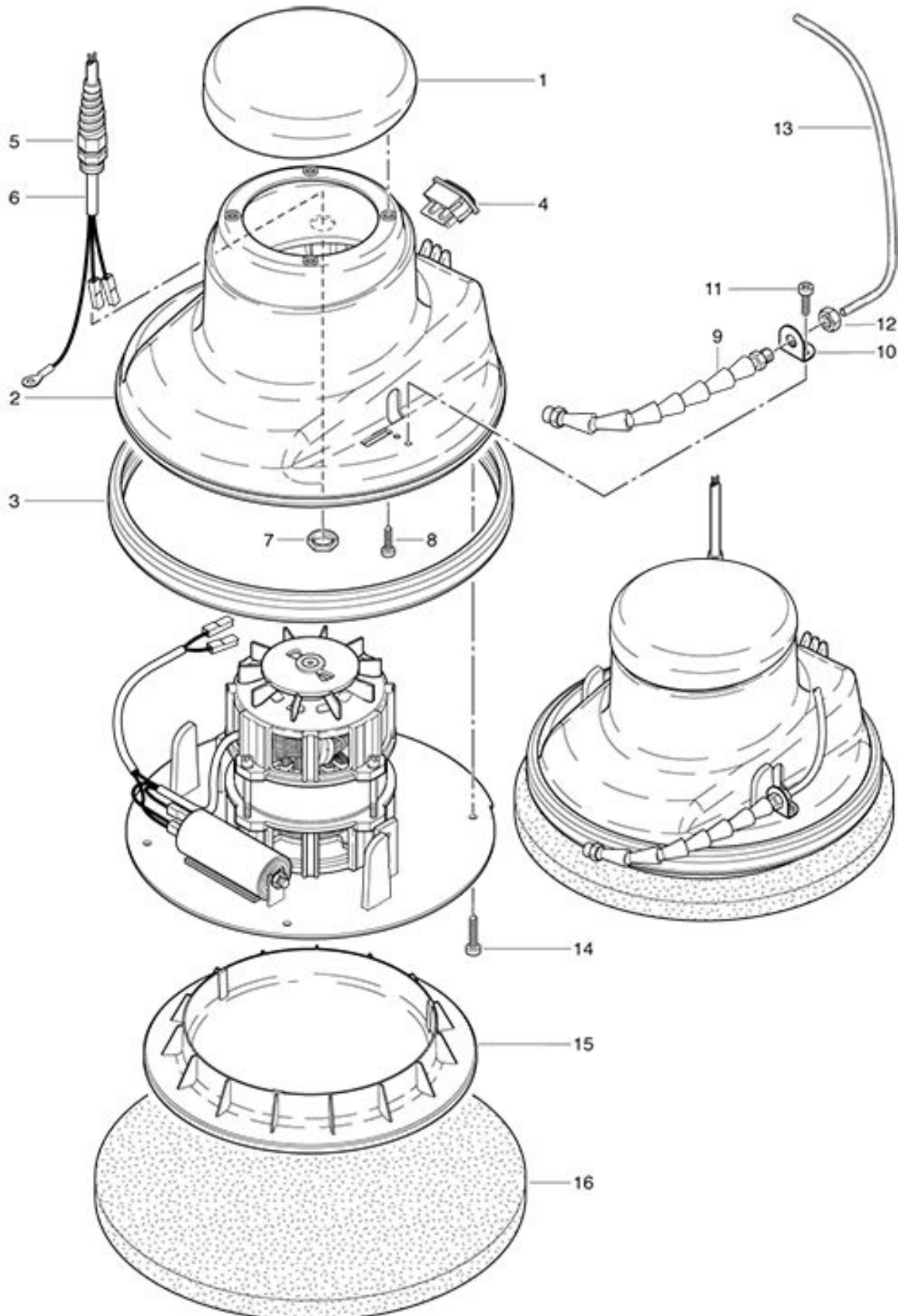
Handle compl.

As at: 03/29/17 Time:14:27

| Pos. | Description | Reference |
|------|--|--------------------------|
| 01 | Shaft tube | 718.203 |
| 02 | Bottle support | 718.910 |
| 03 | O-Ring 3.53x15.47 mm | 718.909 |
| 04 | Hexagon nut M 5 | P...492 G |
| 05 | Hexagon screw M 5x16 | P...486 I |
| 06 | Solution bottle anthracite from 9006-001 | 718.912 A |
| 06a | Joint circulaire à des couvertures | 718.907 |
| 07 | Top part front side | 718.201 |
| 08 | Top part back side | 718.202 |
| 09 | PT screw | KA 50x14 mm P...480 S |
| 10 | Operation button | 718.911 |
| 11 | Bar to metering unit | 718.915 |
| 12 | Split pin 2.5x16 mm | P...489 N |
| 13 | Pressure valve | 718.925 |
| 14 | Cable grommet | P...279 K |
| 15 | Conter nut PG 9 | P...279 H |
| 16 | Mains cable VDE 7,5 m | P...282 |
| 17 | Mains cable SEV 7,5 m | P...275 |
| 18 | Pressure hose | 4x6x320 mm 718.160 |
| 19 | Screw- in socket | 320.170 |
| 20 | Pressure hose | 4x6x640 mm 718.161 |
| 21 | Cable hook | 3711029 |
| 22 | Hexagon nut M 6 | P...490 D |
| 23 | Cylindrical screw M 6x30 | P...486 W |
| 24 | Turning bar | 718.204 |
| 26 | Hexagon socket screw | M 5x25 P...488 K |
| 28 | Distance piece | 718.207 |
| 29 | Permaglide sleeve 10/12/9 | 500.123 |
| 30 | Heavy spring pin 4x40 | P...484 B |
| 31 | Thread pin M 6x12 | P...483 CA |
| 32 | Washer DIN 9021 M6 6,4/18/1,6 | P...496 L |

**Floor Mac
Motor housing**

As at: 03/29/17 Time:14:28



Floor Mac

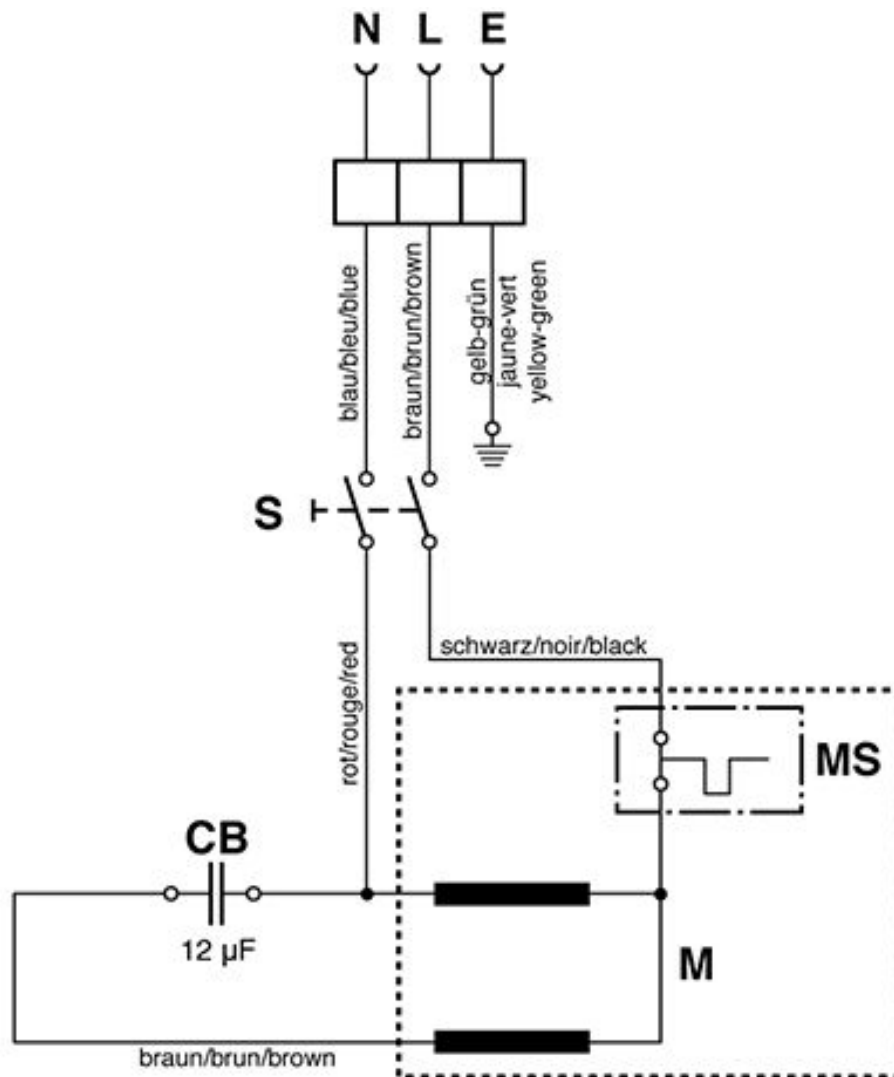
Motor housing

As at: 03/29/17 Time:14:28

| Pos. | Description | Reference |
|-------------|---------------------------|--------------------------|
| 01 | Cap | 718.067 |
| 02 | Motor housing | 718.065 |
| 03 | Buffer for housing | 718.054 |
| 04 | Switch | 718.068 |
| 05 | Cable grommet | P...279 K |
| 06 | Mains cable VDE 7,5 m | P...282 |
| 06. | Mains cable SEV 7,5 m | P...275 |
| 07 | Conter nut PG 9 | P...279 H |
| 08 | PT screw WN 1412 | KA 40x12 mm P...516 P |
| 09 | Hinge compl. | 718.075 |
| 10 | Holding plate | 718.069 |
| 11 | Screw WN 1412 KA 50x14 mm | P...480 S |
| 12 | Hexagon nut M 10 | P...491 O |
| 13 | Hose 4x6x640 mm | 718.161 |
| 14 | PT screw WN 1412 | KA 50x18 mm P...516 Q |
| 15 | Driving disc for pads | 718.070 |
| 16 | White pad, Ø 33 cm | 718.901 |
| 16. | Microfaser pad, Ø 33 cm | 718.906 |

Floor Mac Wiring diagram

As at: 03/29/17 Time:14:26



- S = Motorschalter / Interrupteur pour moteur / Tumbler switch for motor
- CB = Betriebskondensator 12 µF / Capaciteur 12 µF / Capacitor 12 µF
- M = Motor / Moteur / Motor
- MS = Motorschutzschalter

Floor Mac

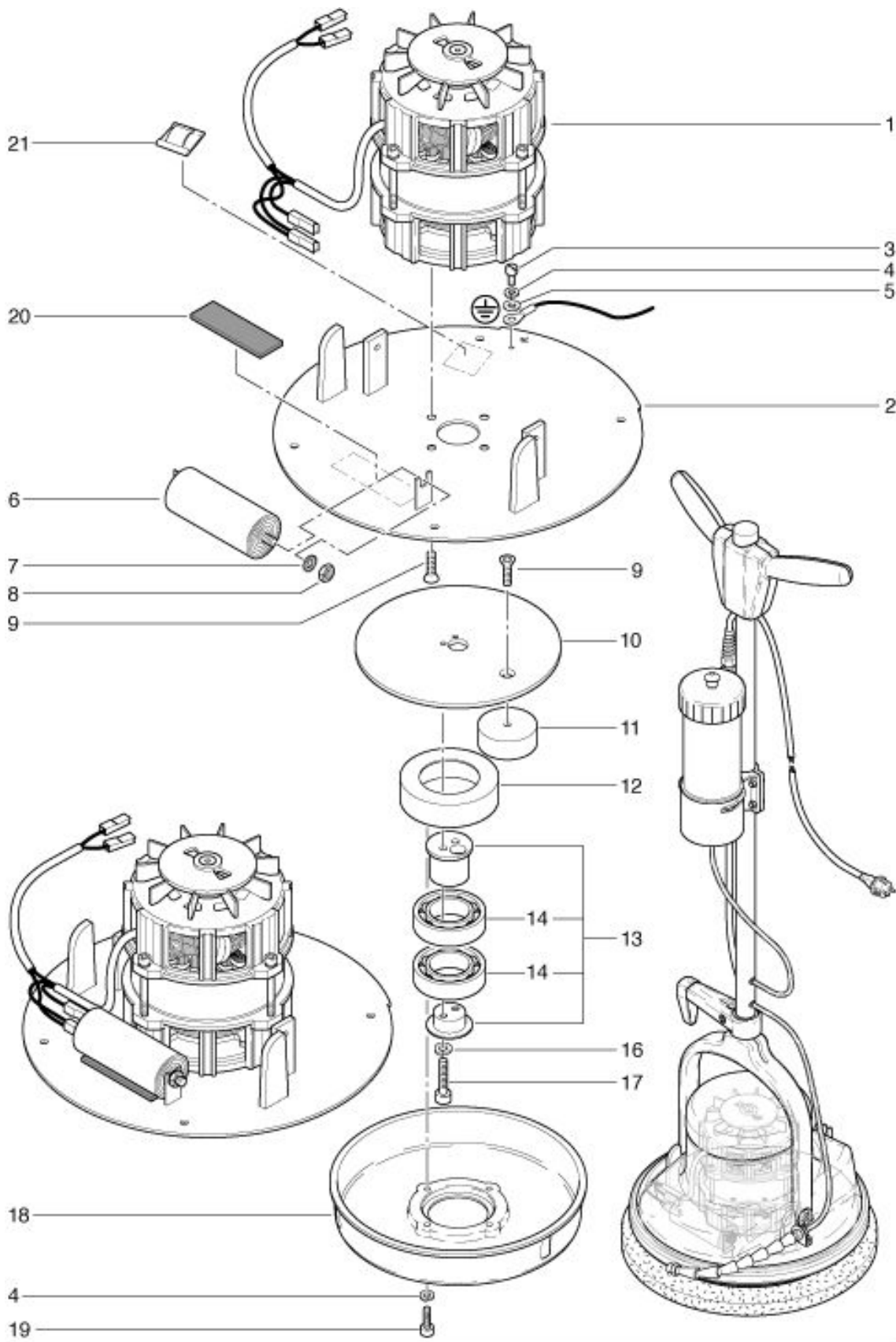
Wiring diagram

As at: 03/29/17 Time:14:26

| Pos. | Description | Reference |
|-------------|--------------------------|------------------|
| CB | Capacitor 12 μ F | P...385 B |
| M | Motor 230 V/50 Hz | 718.121 |
| MS | | |
| S | Tumbler switch for motor | 718.068 |

**Floor Mac
Machine base**

As at: 03/29/17 Time:14:25



Floor Mac

Machine base

As at: 03/29/17 Time:14:25

| Pos. | Description | | Reference |
|-------------|---------------------------------|--------------|------------------|
| 01 | Motor complete | 230 V/ 50 Hz | 718.121 |
| 02 | Base plate compl. | | 718.130 |
| 03 | Chees-head screw 4 x10 | | P...478 C |
| 04 | Spring washer M 4 | | P...498 C |
| 05 | Washer M 4 | | P...497 D |
| 06 | Capacitor 12 µF | | 718.124 |
| 07 | Lock washer M 8 | | 6610419 |
| 08 | Hexagon screw M 8 | | P...491 F |
| 09 | Countersunk screw M 6x20 | | P...480 H |
| 10 | Driving plate to counter weight | | 718.141 |
| 11 | Counter weight | | 718.142 |
| 12 | Bearing flange | | 718.146 |
| 13 | Excentric compl. | | 718.145 |
| 14 | Ball bearing | | 6426437 |
| 16 | Spring washer M 5 | | P...500 D |
| 17 | Hexagon screw M 5x25 | | P...488 K |
| 18 | Driving plate | | 718.120 |
| 19 | Hexagon screw M 4x12 | | P...486 A |
| 20 | Slide security | | 400.139 |
| 21 | Cable support | | P...360 |